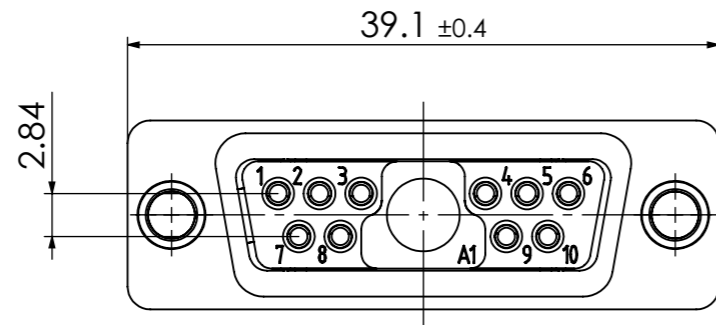
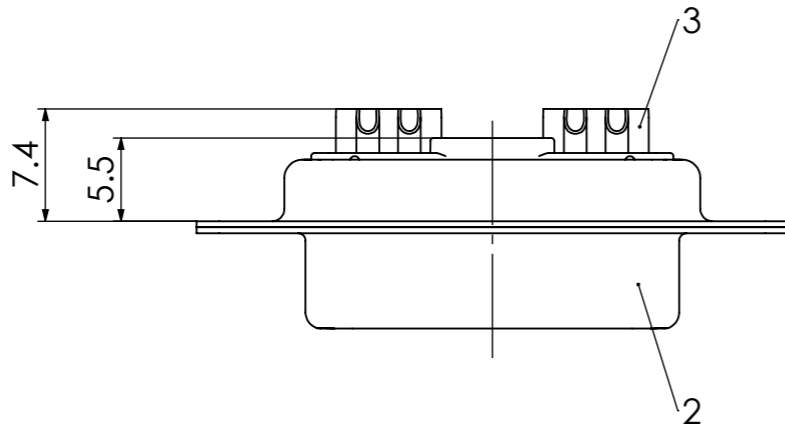
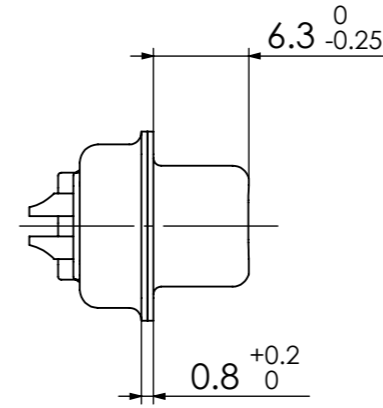
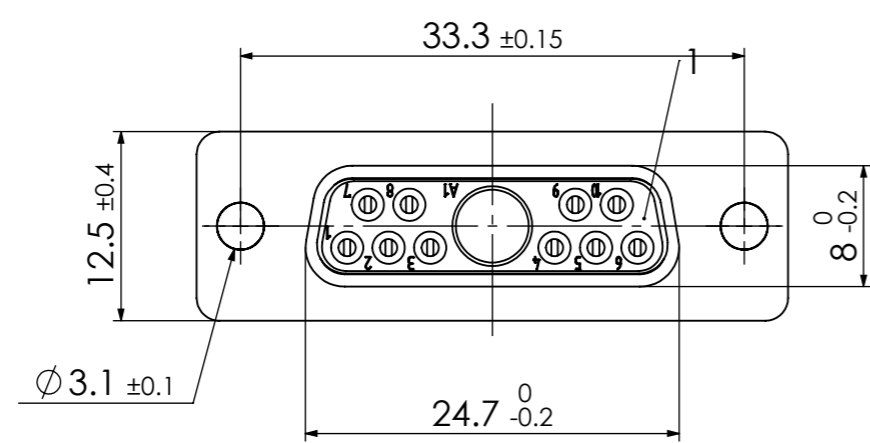


RoHS compliant
by exemption



3	10	Signal contact	SO / Brass	AuroPur / AWG20
2	1	Shell	Steel	tin plated
1	1	Insulator	PBT (-55°C to +130°C) acc. UL94V-0	green
No.	St.	Part	Type Description/Material	Surface plating/Colour/Class

FUNCTIONAL SYMBOLS ▽ = 0 ▽ = 0 ▽ = 0					THIS DRAWING CONTAINS INFORMATION THAT IS PROPRIETARY TO MOLEX ELECTRONIC TECHNOLOGIES, LLC AND SHOULD NOT BE USED WITHOUT WRITTEN PERMISSION				
DIMENSION UNITS		SCALE		MEASUREMENTS WITHOUT TOLERANCE ACC. TO					
mm		2:1		ISO 2768-m					
2		24410		CURRENT REVISION		PRODUCT CUSTOMER DRAWING			
1				DRWN: DRAWN BY msteinbrueck 02-08-2023		FCT D-Sub Mixed-Layout Connector		MATERIAL NUMBER	
REV.		CH.-NO.		APPR: APPR BY mteubel 08-08-2023		INITIAL REVISION		1727040012	
REPLACEMENT FOR:		FRIST ANGLE PROJECTION		DRAWING		DOCUMENT NUMBER		CUSTOMER	
1727040012_Rev. A				A3-SIZE		FM11W1SA-K121		GENERAL MARKET	
								REVISION	
								2	
								SHEET NUMBER	
								1 OF 1	

COMMENT: ALL RIGHTS ARE RESERVED BY US FOR THIS DRAWING. WITHOUT OUR PRIOR CONSENT, IT MAY NEITHER BE DUPLICATED NOR MADE AVAILABLE TO A THIRD PARTY. AND IT ALSO MAY NOT BE IMPROPERLY USED BY THE RECEIVER, OR A THIRD PARTY.