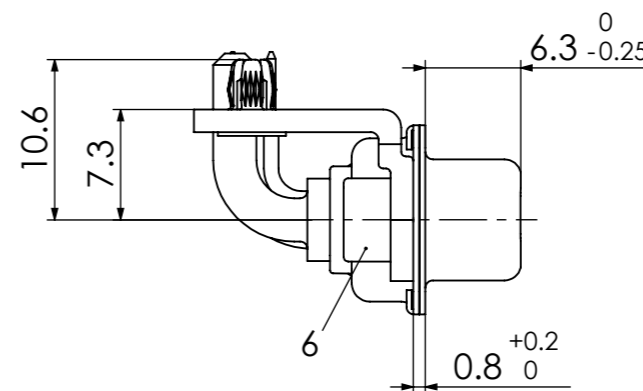
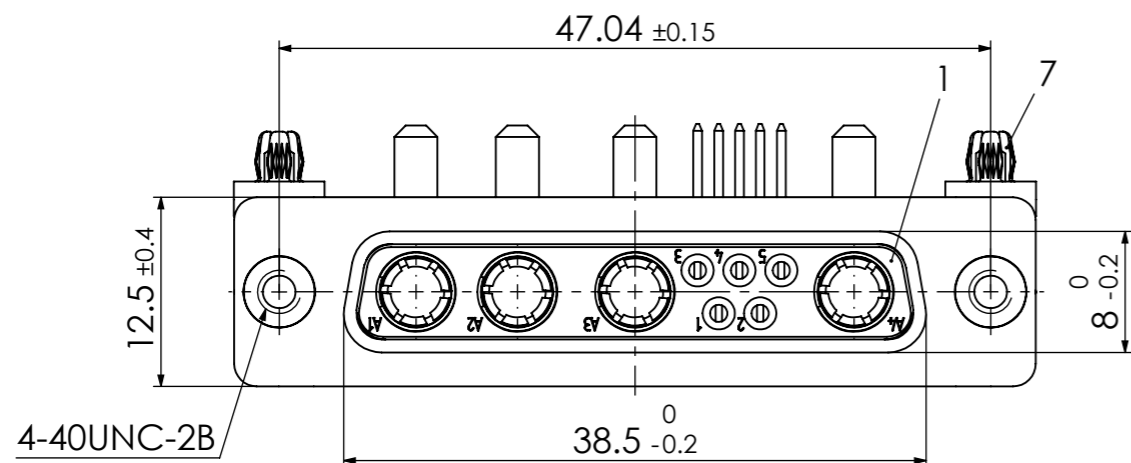
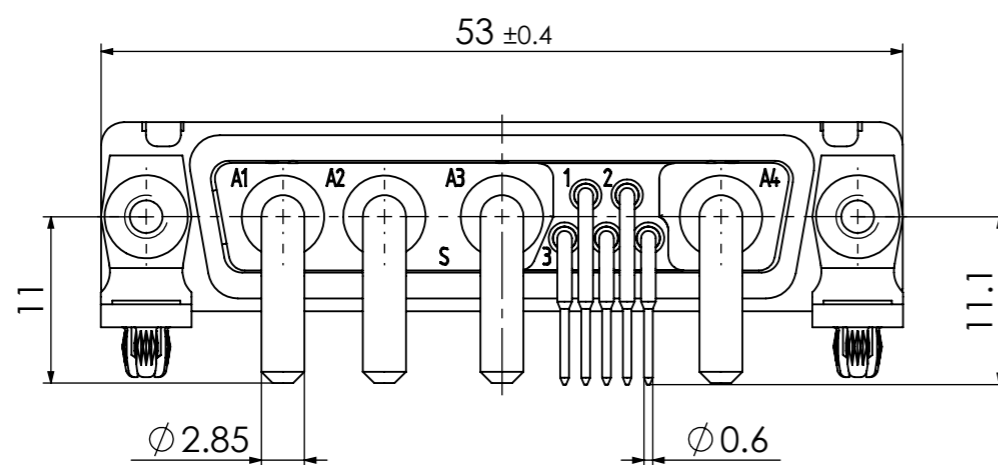
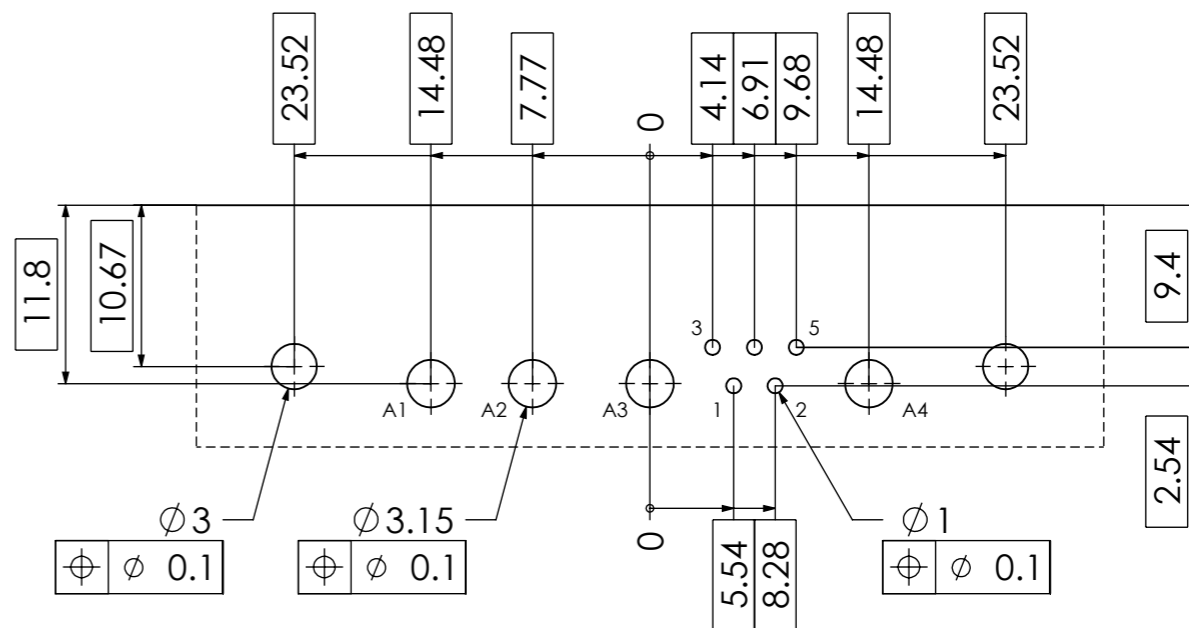
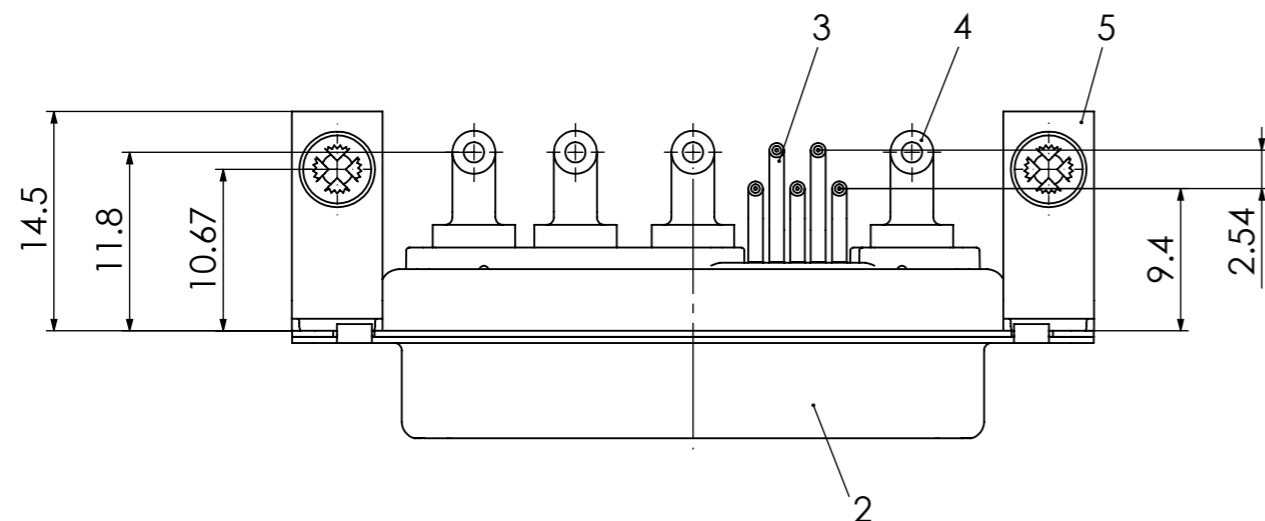


RoHS compliant
by exemption



PCB hole pattern, mounting side



No.	St.	Part	Type Description/Material	Surface plating/Colour/Class
7	2	Snap-in rivet	PCB 1.6mm / Brass	tin plated
6	2	Clinch nut	MW 4-40 / Steel	tin plated
5	2	Bracket	F1080-13B / Steel	tin plated
4	4	High power contact	FMP008S104R	20A
3	5	Signal contact	S5 / Brass	0.8µm Au
2	1	Shell	Steel	tin plated
1	1	Insulator	PBT (-55°C to +130°C) acc. UL94V-0	green

FUNCTIONAL SYMBOLS		THIS DRAWING CONTAINS INFORMATION THAT IS PROPRIETARY TO MOLEX ELECTRONIC TECHNOLOGIES, LLC AND SHOULD NOT BE USED WITHOUT WRITTEN PERMISSION			
MEASUREMENTS WITHOUT TOLERANCE ACC. TO ISO 2768-m	SCALE	DIMENSION UNITS	REVISION		
▽ = 0	2:1	mm	CURRENT REVISION	FCT D-Sub Mixed-Layout Connector	
▽ = 0			DRWN: DRAWN BY msteinbrueck 15-03-2023	MATERIAL NUMBER	
▽ = 0			APPR: APPR BY fvetter 17-03-2023	REVISION	
			INITIAL REVISION	1731070685	
			DRWN: DRAWN BY ADenzinger 21-12-2012	DOCUMENT NUMBER	
			APPR: APPR BY sschref 21-12-2012	FM9W4S5-1343	
			REPLACEMENT FOR:	CUSTOMER	
			FRIST ANGLE PROJECTION	GENERAL MARKET	
			DRAWING	SHEET NUMBER	
			A3-SIZE	1 OF 1	

COMMENT: ALL RIGHTS ARE RESERVED BY US FOR THIS DRAWING. WITHOUT OUR PRIOR CONSENT, IT MAY NEITHER BE DUPLICATED NOR MADE AVAILABLE TO A THIRD PARTY. AND IT ALSO MAY NOT BE IMPROPERLY USED BY THE RECEIVER, OR A THIRD PARTY.