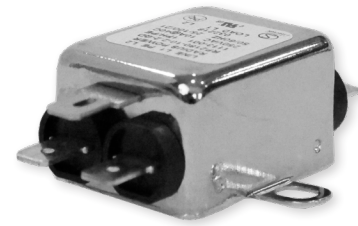


RP2180

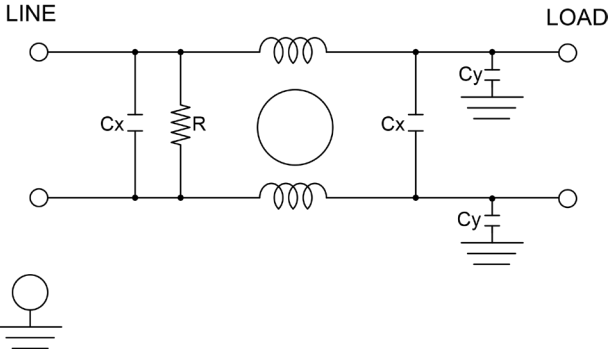
ULTRA COMPACT SINGLE STAGE POWER LINE FILTER

FEATURES

- » Rated currents include **1A, 3A, 6A and 10 A**
- » Single Stage Line Filter
- » Available with **QD** tabs
- » Ultra Compact Design
- » Agency Approved to UL1283, CSA C22.2, EN 60939
- » Y-cap value can be adjusted to fit specifications



ELECTRICAL SCHEMATIC



HOW TO ORDER

RP2180 - X - Y - Z

- Z = TERMINAL (-T)
- Y = Y-CAP, NF
- X = RATED CURRENT
- RP2180 = FILTER SERIES

NOTE: USE ANY COMBINATION OF -X (AMPS) WITH ANY -Y RATINGS
E.G. **RP100-6-2.2-QD** (6AMPS WITH 2.2 NF YCAP)

For **X, Y** and **Z** options see product specification table.

SPECIFICATIONS

OPERATING FREQUENCY	50/60Hz
USABLE FREQUENCY	DC - 400 Hz
MAX. OPERATING VOLTAGE	250V +10%
AMBIENT TEMPERATURE	-25 TO 40°C
CLIMATIC CATEGORY	25/100/21
TERMINALS (-T)	QD: 0.25" TABS

TYP. WEIGHT, LBS (KG)	0.08 (0.03)
-----------------------	-------------

TYPICAL LEAKAGE CURRENT

@ 250 VAC 50 Hz	0 - 0.8 mA Max.
@ 120 VAC 60 Hz	0 - 0.4 mA Max.

HIPOT RATINGS

LINE TO GROUND	2700 VDC
----------------	----------

TYPICAL APPLICATIONS

- ✓ Food Service Equipment
- ✓ Industrial and Mechanical Lighting
- ✓ Home Appliances
- ✓ Power Supplies
- ✓ Consumer Electronics

RP2180

ULTRA COMPACT SINGLE STAGE POWER LINE FILTER

MODEL NO.	RATED CURRENT, A @ 40° C	Y-CAP, nF	LEAKAGE CURRENT, mA @ 250V AC, 50 Hz / @ 120V AC, 60 Hz		TERMINAL OPTIONS		MAX. DIMENSIONS" (MM)		
					(QD)INPUT/OUTPUT	(W) INPUT/OUTPUT	WIDTH	(LENGTH)	HEIGHT
RP2180-1-0-QD	1	0	-	-	✓		2.01"(51)	2.41"(61)	0.83"(21)
RP2180-1-.47-QD	1	0.47	0.07	0.04	✓		2.01"(51)	2.41"(61)	0.83"(21)
RP2180-1-1-QD	1	1	0.15	0.09	✓		2.01"(51)	2.41"(61)	0.83"(21)
RP2180-1-2.2-QD	1	2.2	0.34	0.19	✓		2.01"(51)	2.41"(61)	0.83"(21)
RP2180-1-4.7-QD	1	4.7	0.73	0.42	✓		2.01"(51)	2.41"(61)	0.83"(21)
RP2180-3-0-QD	3	0	-	-	✓		2.01"(51)	2.41"(61)	0.83"(21)
RP2180-3-.47-QD	3	0.47	0.07	0.04	✓		2.01"(51)	2.41"(61)	0.83"(21)
RP2180-3-1-QD	3	1	0.15	0.09	✓		2.01"(51)	2.41"(61)	0.83"(21)
RP2180-3-2.2-QD	3	2.2	0.34	0.19	✓		2.01"(51)	2.41"(61)	0.83"(21)
RP2180-3-4.7-QD	3	4.7	0.73	0.42	✓		2.01"(51)	2.41"(61)	0.83"(21)
RP2180-6-0-QD	6	0	-	-	✓		2.01"(51)	2.41"(61)	0.83"(21)
RP2180-6-.47-QD	6	0.47	0.07	0.04	✓		2.01"(51)	2.41"(61)	0.83"(21)
RP2180-6-1-QD	6	1	0.15	0.09	✓		2.01"(51)	2.41"(61)	0.83"(21)
RP2180-6-2.2-QD	6	2.2	0.34	0.19	✓		2.01"(51)	2.41"(61)	0.83"(21)
RP2180-6-4.7-QD	6	4.7	0.73	0.42	✓		2.01"(51)	2.41"(61)	0.83"(21)
RP2180-10-0-QD	10	0	-	-	✓		2.01"(51)	2.41"(61)	0.83"(21)
RP2180-10-.47-QD	10	0.47	0.07	0.04	✓		2.01"(51)	2.41"(61)	0.83"(21)
RP2180-10-1-QD	10	1	0.15	0.09	✓		2.01"(51)	2.41"(61)	0.83"(21)
RP2180-10-2.2-QD	10	2.2	0.34	0.19	✓		2.01"(51)	2.41"(61)	0.83"(21)
RP2180-10-4.7-QD	10	4.7	0.73	0.42	✓		2.01"(51)	2.41"(61)	0.83"(21)

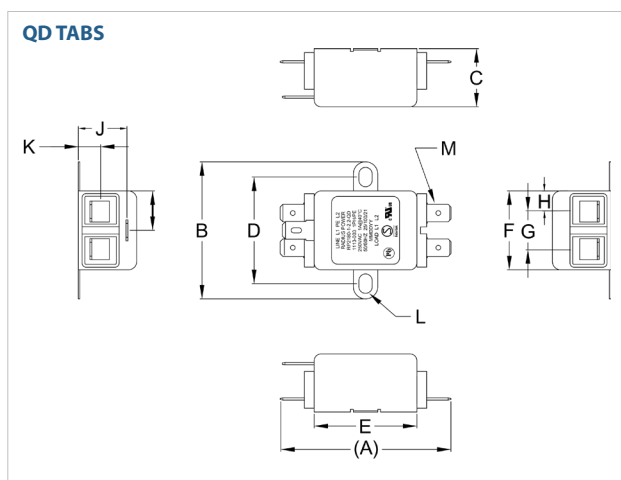
TYPICAL INSERTION LOSS, dB (50/50 Ohm)

Amps	Freq (MHz)	0.15	0.5	1.0	10	30
1	CM (dB)	46	55	55	55	40
	DM (dB)	12	26	50	50	44
3	CM (dB)	30	40	55	55	60
	DM (dB)	12	22	32	50	45
6	CM (dB)	22	35	42	55	60
	DM (dB)	12	22	28	50	44
10	CM (dB)	10	20	26	50	60
	DM (dB)	12	20	26	50	50

RP2180

ULTRA COMPACT SINGLE STAGE POWER LINE FILTER

RP100 MECHANICAL OUTLINES” (MM)



SERIES	(A)	B	C	D	E	F	G	H	I	J	K	L	M
QD TABS	2.41" (61)	2.01" (51)	0.83" (21)	1.52" (39)	1.46" (37)	1.12" (29)	0.56" (14)	0.28" (7)	0.56" (14)	0.69" (18)	0.31" (8)	Ø 0.27"x0.18", 2x (Ø 7.0x4.8, 2x)	0.25", 5x (QD, MALE, 6.35, 5x)

TYPICAL TOLERANCE: +/- 0.02" (0.50MM)