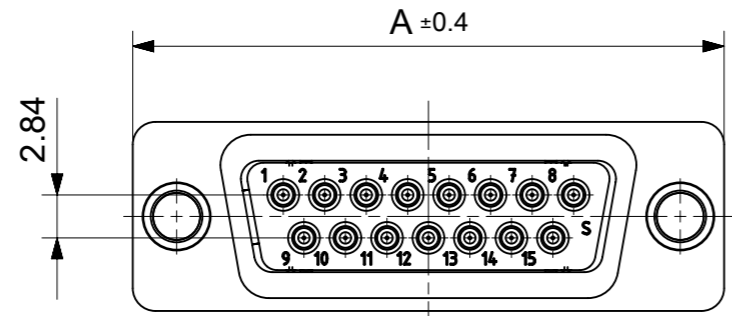
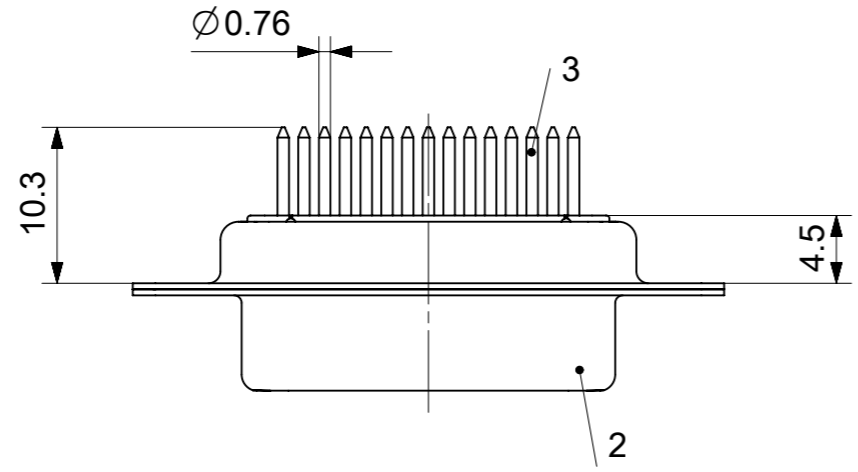
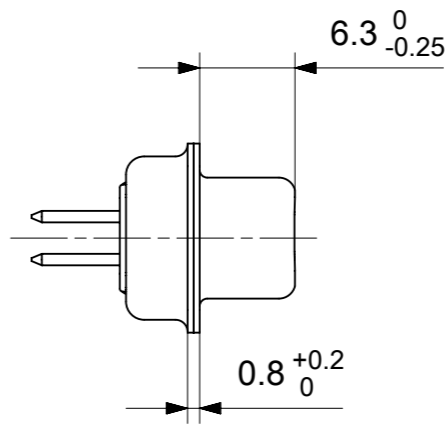
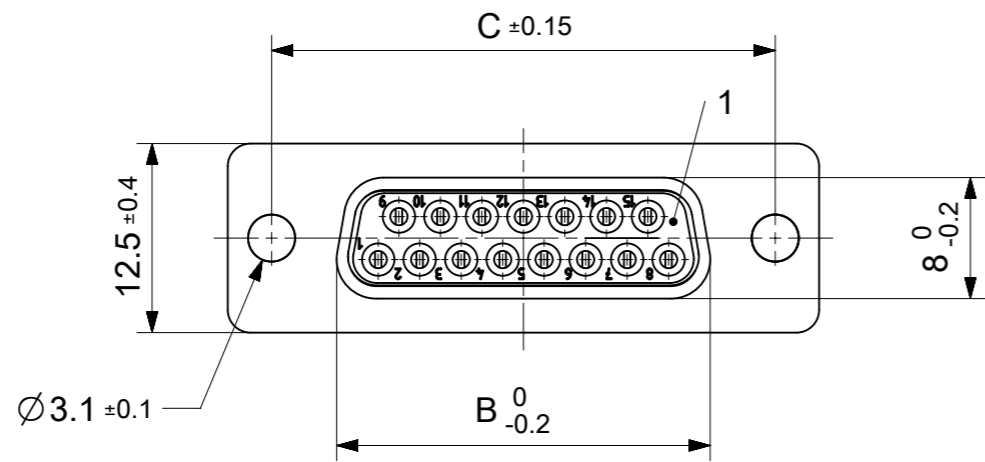


RoHS compliant
by exemption



FCT Part number:

Fxx*1)S2G2

e.g. F15S2G2

*1) xx No. of contacts 09, 15, 25 or 37

*2) y for performance classes 1, 2 or 3

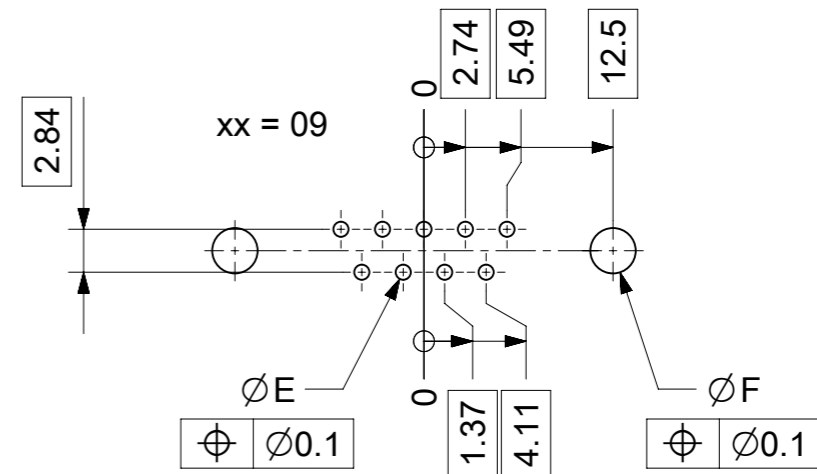
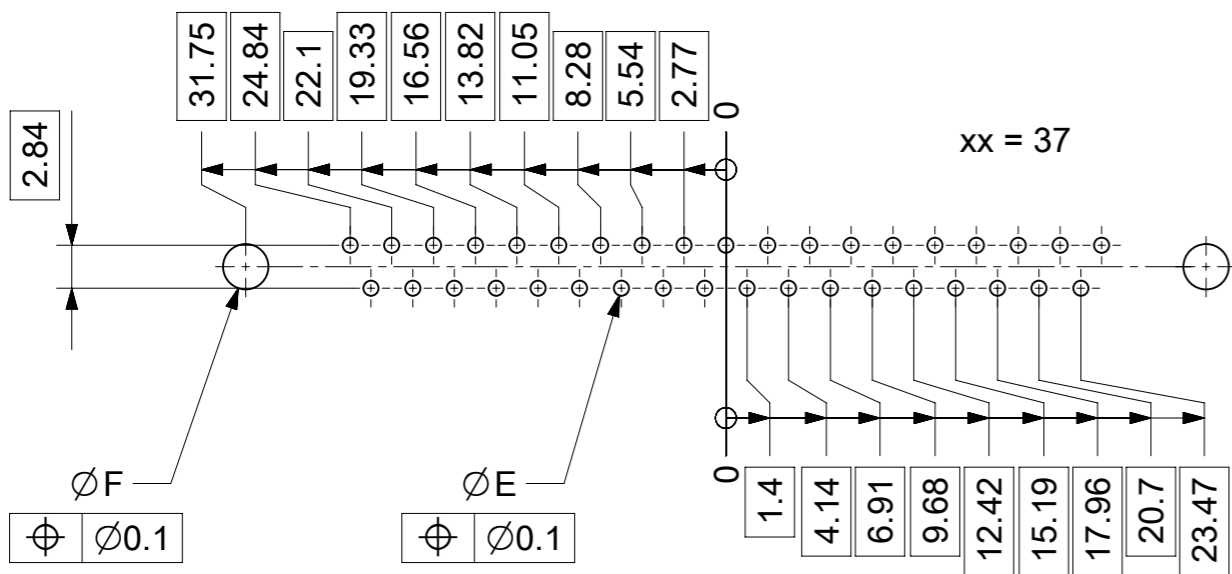
(contact cycle for G1/G2/G3 = 500/200/50)

Material Number	xx*1)	y*2)	A[mm]	B[mm]	C[mm]	*E[mm]
1731090695	09	G2	30.8	16.4	25	Ø1.1
-	15	-	39.1	24.7	33.3	
-	25	-	53	38.5	47.04	
-	37	-	69.3	54.9	63.5	

*PCB hole patterns ØE see document 2195600023

3	xx	Signal contact	S2 / Brass	G2
2	1	Shell	Steel	tin plated
1	1	Insulator	PBT (-55°C to +125°C) acc. UL94V-0	white
No.	Pc.	Part	Type Description/Material	Surface plating/ Color/Class

FUNCTIONAL SYMBOLS				DIMENSION UNITS				SCALE				CURRENT REV DESC.			
THIS DRAWING CONTAINS INFORMATION THAT IS PROPRIETARY TO MOLEX ELECTRONIC TECHNOLOGIES, LLC AND SHOULD NOT BE USED WITHOUT WRITTEN PERMISSION				REPLACEMENT FOR DOCUMENT NUMBER: FxxS2Gy								FCT D-SUB MINIATURE CONNECTOR			
GENERAL TOLERANCES (UNLESS SPECIFIED)				ANGULAR TOL ± °											
4 PLACES ±				3 PLACES ±				DRWN: SKANDB 2021/12/22				2022/07/04			
3 PLACES ±				2 PLACES ±				CHK'D: MTEUBEL				2022/07/04			
2 PLACES ±				1 PLACE ±				APPR: MTEUBEL				2022/07/04			
1 PLACE ±				0 PLACES ±				INITIAL REVISION:				DOCUMENT NUMBER			
DRAFT WHERE APPLICABLE MUST REMAIN WITHIN DIMENSIONS				FIRST ANGLE PROJECTION				DRAWING				SERIES			
A3-SIZE				173109				MATERIAL NUMBER				CUSTOMER			
SEE TABLE				GENERAL MARKET				1731090695				PSD 000 A			
SHEET NUMBER				1 OF 1											



ØE, ØF see data sheet incl. connector
 ØF connectors with accessories only

MEASUREMENTS WITHOUT TOLERANCE ACC TO ISO 2768-m				REPLACEMENT FOR DOCUMENT NUMBER: AM0023			
THIS DRAWING CONTAINS INFORMATION THAT IS PROPRIETARY TO MOLEX ELECTRONIC TECHNOLOGIES, LLC AND SHOULD NOT BE USED WITHOUT WRITTEN PERMISSION							
FUNCTIONAL SYMBOLS	DIMENSION UNITS	SCALE	CURRENT REV DESC:				
$\nabla_A = 0$	mm	2:1	EC NO: 713905 DRWN: SKANDB 2022/05/16 CHK'D: MTEUBEL 2022/07/12 APPR: MTEUBEL 2022/07/12 INITIAL REVISION: DRWN: SKANDB 2022/05/16 APPR: MTEUBEL 2022/07/12				
$\nabla_E = 0$	GENERAL TOLERANCES (UNLESS SPECIFIED)						
$\nabla_F = 0$	ANGULAR TOL ± °						
DIVISIONAL SYMBOLS	4 PLACES ±	3 PLACES ±					
	2 PLACES ±	1 PLACE ±	PRODUCT CUSTOMER DRAWING				
	0 PLACES ±		DOCUMENT NUMBER		DOC TYPE	DOC PART	REVISION
	DRAFT WHERE APPLICABLE MUST REMAIN WITHIN DIMENSIONS		FIRST ANGLE PROJECTION	DRAWING	SERIES	MATERIAL NUMBER	CUSTOMER
				A3-SIZE	219560	219560	GENERAL MARKET
					2195600023		PSD 000 A
					219560		1 OF 1