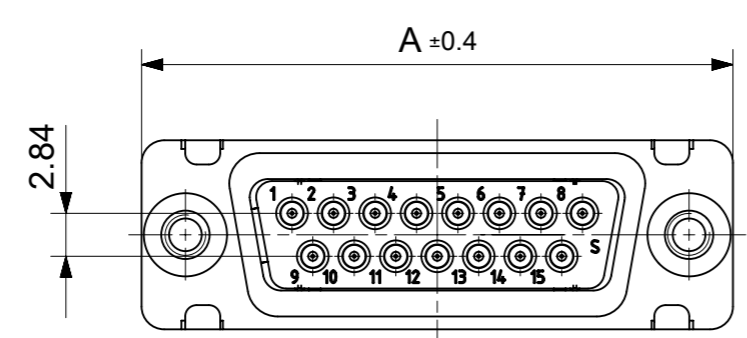
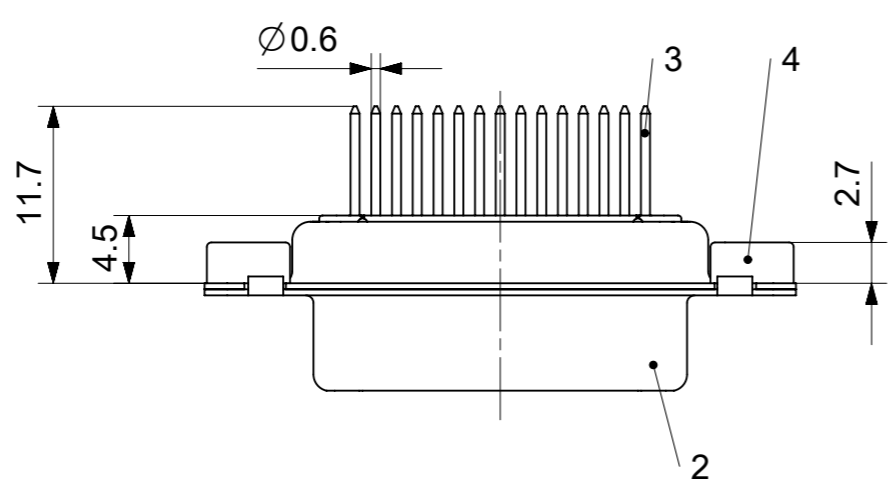
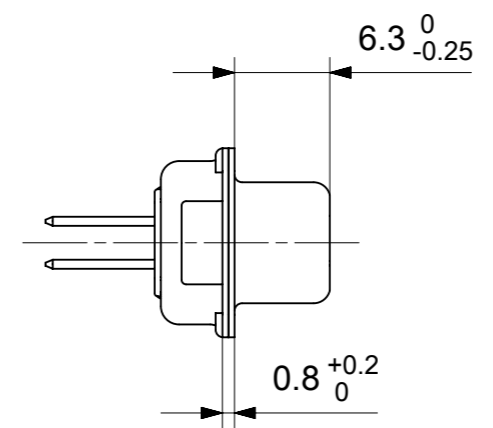
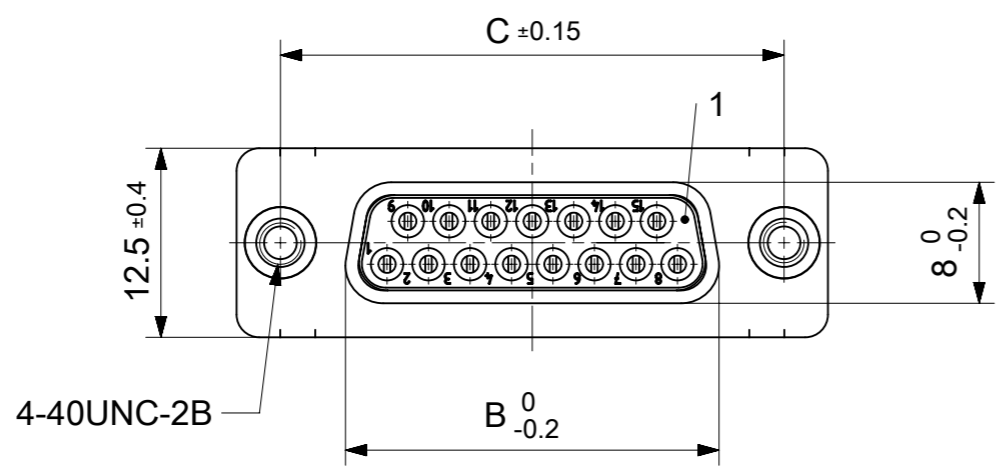


RoHS compliant
by exemption



FCT Part number:
FTxx*1)S22G1

e.g. FT15S22G1

*1) xx No. of contacts 09, 15, 25 or 37

*2) y for performance classes 1, 2 or 3

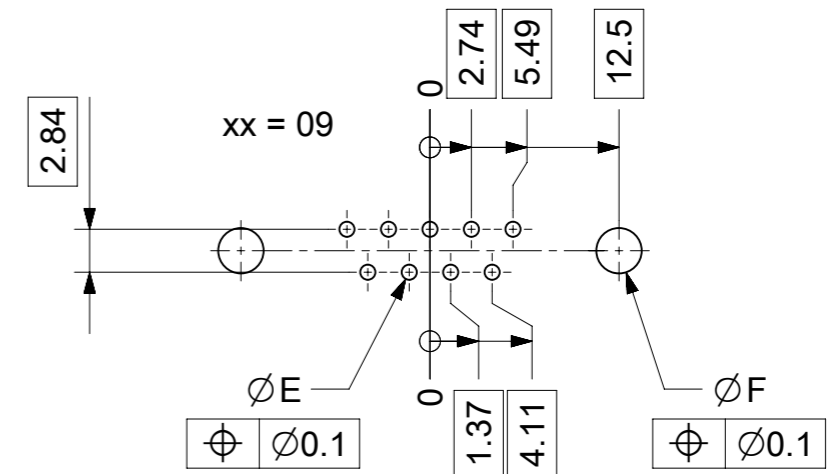
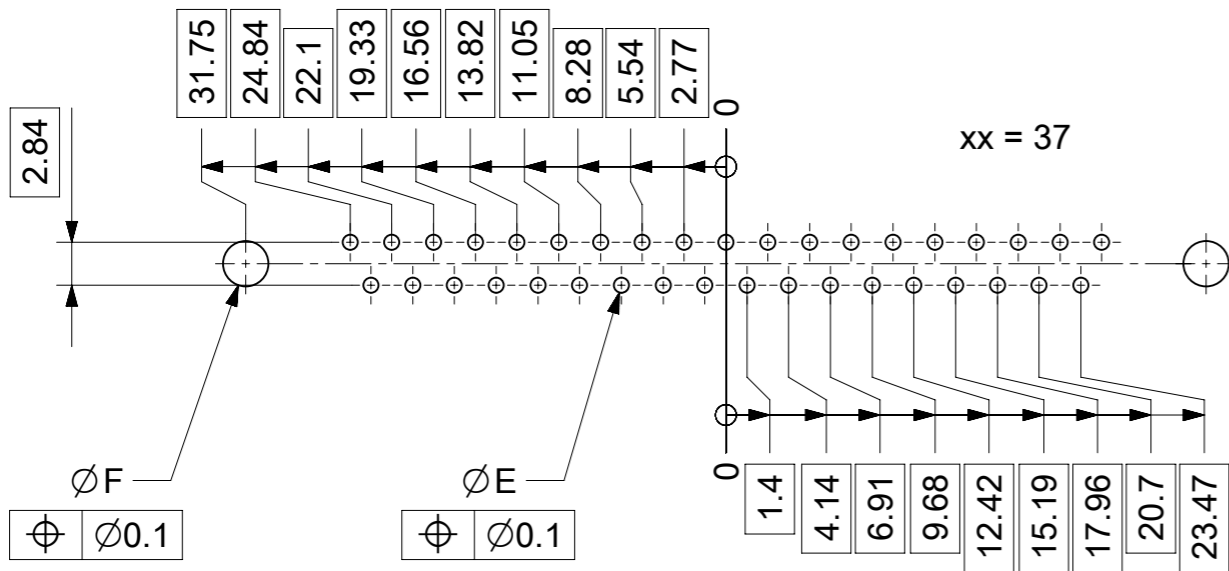
(contact cycle for G1/G2/G3 = 500/200/50)

Material Number	xx*1)	y*2)	A[mm]	B[mm]	C[mm]	*E[mm]
1731090976	09	G1	30.8	16.4	25	Ø1
-	15	-	39.1	24.7	33.3	
-	25	-	53	38.5	47.04	
-	37	-	69.3	54.9	63.5	

*PCB hole patterns ØE see document 2195600023

4	2	Clinch nut	FT 4-40 / Steel	tin plated
3	xx	Signal contact	S22 / Brass	G1
2	1	Shell	Steel	tin plated
1	1	Insulator	PBT (-55°C to +125°C) acc. UL94V-0	white
No.	St.	Part	Type Description/Material	Surface plating/ Color/Class

MEASUREMENTS WITHOUT TOLERANCE ACC TO ISO 2768-m			REPLACEMENT FOR DOCUMENT NUMBER: FTxxS22Gy					
FUNCTIONAL SYMBOLS	THIS DRAWING CONTAINS INFORMATION THAT IS PROPRIETARY TO MOLEX ELECTRONIC TECHNOLOGIES, LLC AND SHOULD NOT BE USED WITHOUT WRITTEN PERMISSION		<div style="text-align: center; font-size: 24pt; font-weight: bold;">molex</div> <p>FCT D-SUB MINIATURE CONNECTOR</p> <p>PRODUCT CUSTOMER DRAWING</p>					
FUNCTIONAL SYMBOLS	DIMENSION UNITS	SCALE				CURRENT REV DESC:		
FUNCTIONAL SYMBOLS	mm	2:1				EC NO: 712793 DRWN: SKANDB 2021/12/13 CHK'D: MTEUBEL 2022/07/04 APPR: MTEUBEL 2022/07/04		
FUNCTIONAL SYMBOLS	GENERAL TOLERANCES (UNLESS SPECIFIED)					INITIAL REVISION: DRWN: SKANDB 2021/12/13 APPR: MTEUBEL 2022/07/04		
DIVISIONAL SYMBOLS	4 PLACES	±	DOCUMENT NUMBER					
DIVISIONAL SYMBOLS	3 PLACES	±	1731090976					
DIVISIONAL SYMBOLS	2 PLACES	±	DOC TYPE					
DIVISIONAL SYMBOLS	1 PLACE	±	PSD					
DIVISIONAL SYMBOLS	0 PLACES	±	DOC PART					
DIVISIONAL SYMBOLS	DRAFT WHERE APPLICABLE MUST REMAIN WITHIN DIMENSIONS		000					
DIVISIONAL SYMBOLS	FIRST ANGLE PROJECTION		REVISION					
DIVISIONAL SYMBOLS	DRAWING		A					
DIVISIONAL SYMBOLS	SERIES		SHEET NUMBER					
DIVISIONAL SYMBOLS	A3-SIZE		1 OF 1					
DIVISIONAL SYMBOLS	173109		MATERIAL NUMBER					
DIVISIONAL SYMBOLS	SEE TABLE		CUSTOMER					
DIVISIONAL SYMBOLS	GENERAL MARKET		SHEET NUMBER					
DIVISIONAL SYMBOLS	1 OF 1							



ØE, ØF see data sheet incl. connector
 ØF connectors with accessories only

MEASUREMENTS WITHOUT TOLERANCE ACC TO ISO 2768-m			REPLACEMENT FOR DOCUMENT NUMBER: AM0023			
THIS DRAWING CONTAINS INFORMATION THAT IS PROPRIETARY TO MOLEX ELECTRONIC TECHNOLOGIES, LLC AND SHOULD NOT BE USED WITHOUT WRITTEN PERMISSION						
FUNCTIONAL SYMBOLS	DIMENSION UNITS	SCALE	CURRENT REV DESC:			
$\nabla_A = 0$	mm	2:1	EC NO: 713905			
$\nabla_E = 0$	GENERAL TOLERANCES (UNLESS SPECIFIED)		DRWN: SKANDB 2022/05/16			
$\nabla_P = 0$	ANGULAR TOL ± °		CHK'D: MTEUBEL 2022/07/12			
DIVISIONAL SYMBOLS	4 PLACES ±		APPR: MTEUBEL 2022/07/12			
	3 PLACES ±		INITIAL REVISION:			
	2 PLACES ±		DRWN: SKANDB 2022/05/16			
	1 PLACE ±		APPR: MTEUBEL 2022/07/12			
	0 PLACES ±		DOCUMENT NUMBER			
DRAFT WHERE APPLICABLE MUST REMAIN WITHIN DIMENSIONS		FIRST ANGLE PROJECTION	DRAWING	SERIES	MATERIAL NUMBER	CUSTOMER
			A3-SIZE	219560	219560	GENERAL MARKET
			PRODUCT CUSTOMER DRAWING		DOC TYPE	DOC PART
			2195600023		PSD	000
			1 OF 1		REVISION	A