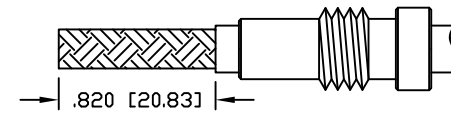
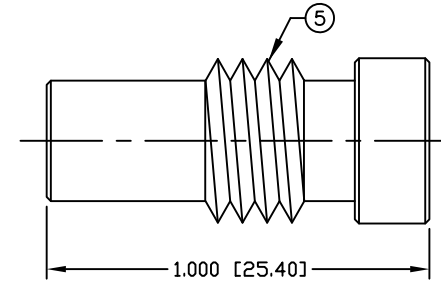
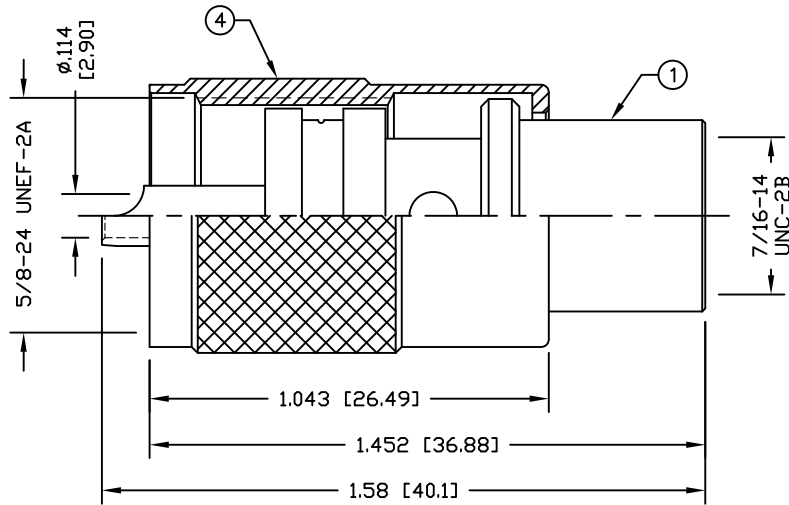
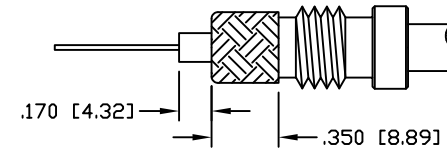


PART NO.		RFU-500-D		
REV	DESCRIPTION	DWN	DATE	APPROVED
-	ENGINEERING RELEASE	CZS	11/01/21	JDMc



FOLD BRAID BACK OVER REDUCER AND TRIM TO .350 [8.89]



RECOMMENDED STRIPPING INSTRUCTIONS
NTS

SPECIFICATIONS:

W/RFU-531 REDUCER

- (D) FOR RG-59, 59A, 59B, 62, 62A, 62C 71, 140 & 210/U, BELDEN 8221, 8241, 8241A, 8254, 8255, 8263, 9169, 9204, 9228, 9244, 9269 & 9862 CABLE
- (P) FOR ANTENNA SPECIALIST K214 & PRO-FLEX 800, TIMES AA3096 & COMM/SCOPE 2278 & 2279 CABLE
- (X) FOR RG-8/X & 30/U, BELDEN 9258, MAXRAD M8X-100 & M8X-1000, MICRO 8/U, REMEE 1600, SAXTON 8315 & TIMES LMR-240 & LMR-240 ULTRAFLEX CABLE

5	REDUCER ADAPTER	1	BRASS	NICKEL
4	SHELL	1	BRASS	NICKEL
3	PIN	1	BRASS	SILVER
2	INSULATOR	1	DAP	NATURAL
1	BODY	1	BRASS	SILVER
#	DESCRIPTION	QTY	MATERIAL	FINISH

CUSTOMER OUTLINE DRAWING	
ALL DIMENSIONS ARE REFERENCE ONLY	
UNLESS OTHERWISE SPECIFIED: DIMENSIONS ARE IN INCHES AND [MILLIMETERS]	
DRAWN C. ZUÑIGA	11/01/21
CHECKED	
ORJ DRAWN C. ZUÑIGA	11/01/21

RoHS COMPLIANT
PROPRIETARY AND CONFIDENTIAL THIS DRAWING CONTAINS INFORMATION PROPRIETARY TO RF INDUSTRIES, ANY UNAUTHORIZED USE OF THIS DRAWING IS EXPRESSLY PROHIBITED WITHOUT WRITTEN PERMISSION FROM RF INDUSTRIES. ANY VIOLATION IS PUNISHABLE UNDER U.S. COPYRIGHT LAWS.

RFconnectors		RFINDUSTRIES.COM 7610 MIRAMAR RD. SAN DIEGO, CA 92126 (858) 549-6340	
DIVISION OF RF INDUSTRIES, LTD.		(858) 549-6345 FAX	
UHF PLUG, SOLDER			
PL-259			
DWG # RFU-500-D			
CABLE GROUP MULTIPLE	CONTROL # 000494	SCALE NTS	FORMAT A
SHEET 1 OF 1	REVISION -		