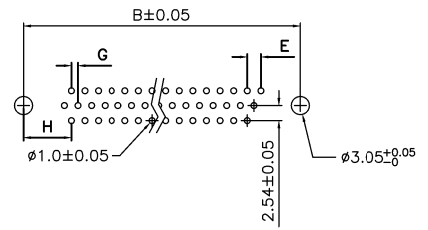
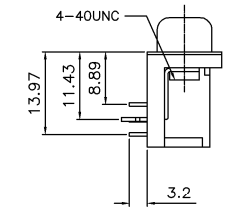
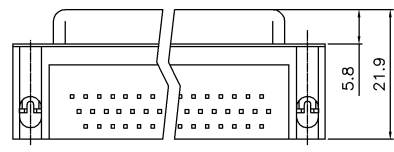
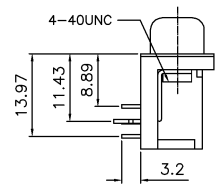
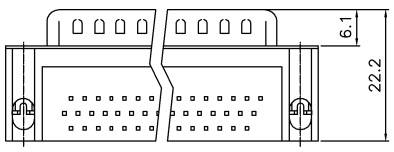
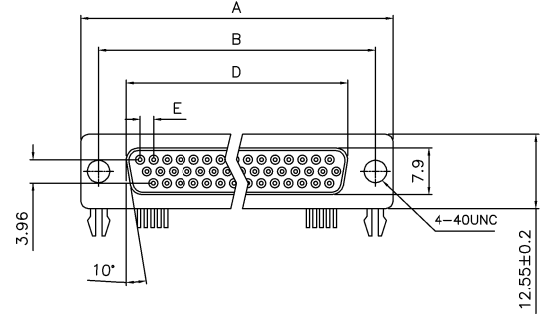
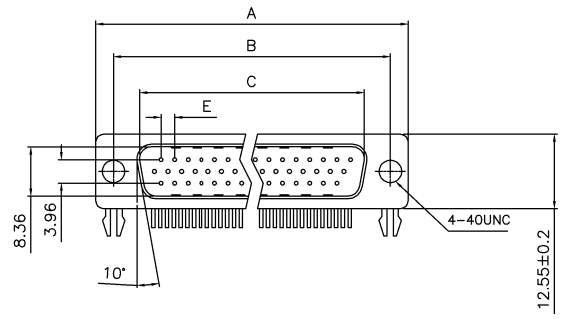


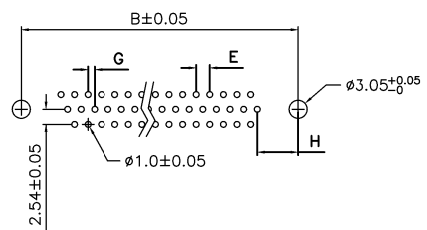
REV.	SPECIFICATION	ECN NO.	APPD.

## Male

## Female

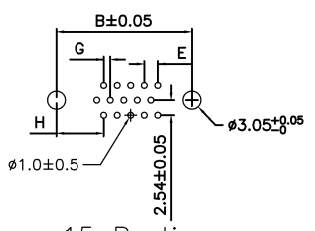


26, 44, 62 Postions

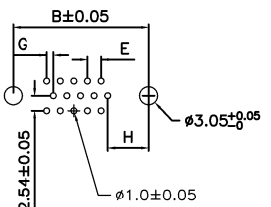


26, 44, 62 Postions

7916-A Series    xx Positions    x M:Male    B: With Grounding Forks and F:Female    A: Tray Package    with Riveted Threaded Inserts.



15 Postions  
P.C. Board Layout



15 Postions P.C. Board Layout

Positions	Dimension						
	A	B	C	D	E	G	H
15	30.81	24.99	16.92	16.33	2.29	1.145	7.04
26	39.20	33.30	25.25	24.70	2.29	1.145	6.88
44	53.05	47.04	38.96	38.40	2.29	1.145	6.88
62	69.40	63.50	55.42	54.80	2.41	1.205	7.00

Tolerances	Dwg. No.	7916D03019	Title:		<p>7916-A Series H.D.D-SUB Right Angle Type</p>	<p>OUPIN ELECTRONIC(KUNSHAN) CO., LTD. P/N: 7916-AxxMBA&amp;7916-AxxFBA</p>				
x. = ±0.38	Projection									
.x = ±0.25	Unit	mm	Scale	1:1						
.xx = ±0.13	Drawn By	Jerry 05/13'20	①747							
SHEET						1/1	Ver.No.	A1		

### Material:

Housing: PBT, UL94V-0, Black.  
Contacts: Brass, Gold plated on Contact Area and Gold Flash on Solder tail over 50u" Nickel.  
Board Lock: Brass, 100u" Tin Plated.  
Shell: Steel, 80u" Nickel over 50u" Copper.

### Electrical Characteristics:

Current Rating: 3 AMP.  
Insulator Resistance: 1000MΩ min.  
Dielectric Withstanding Voltage: AC 1000V.  
Contact Resistance: 20mΩ max.  
Operating Temperature: -55°C ~+105°C .

### \*RoHS Compliant