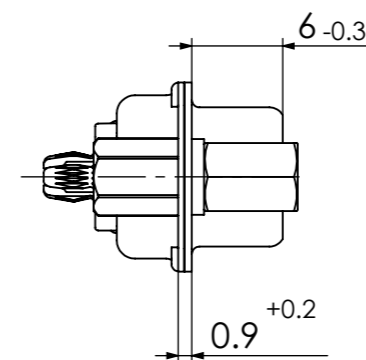
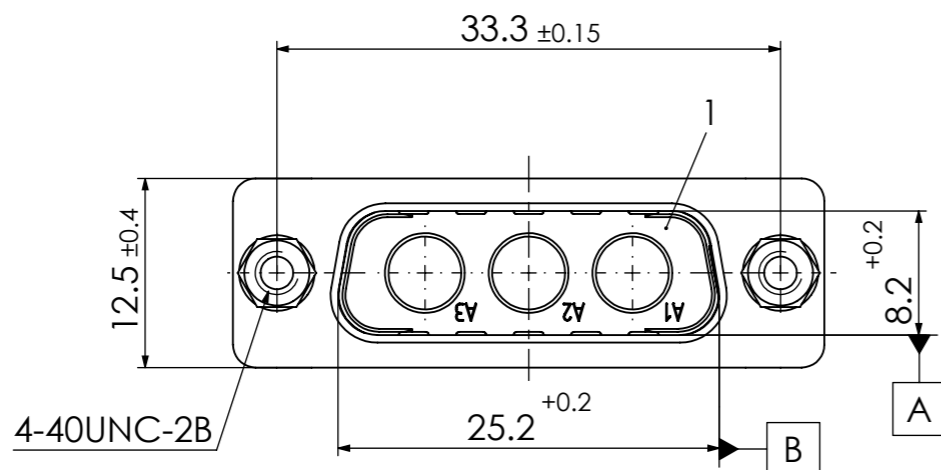
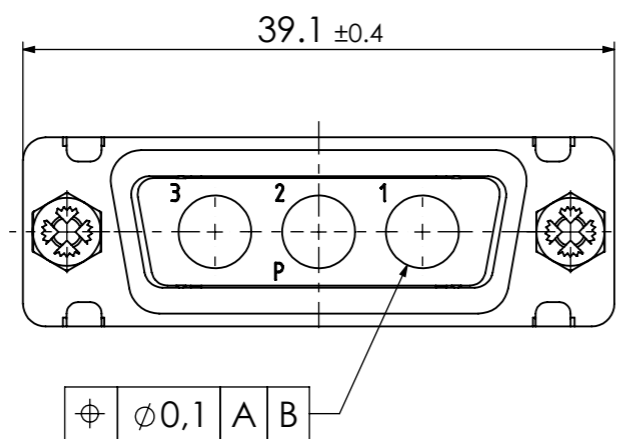
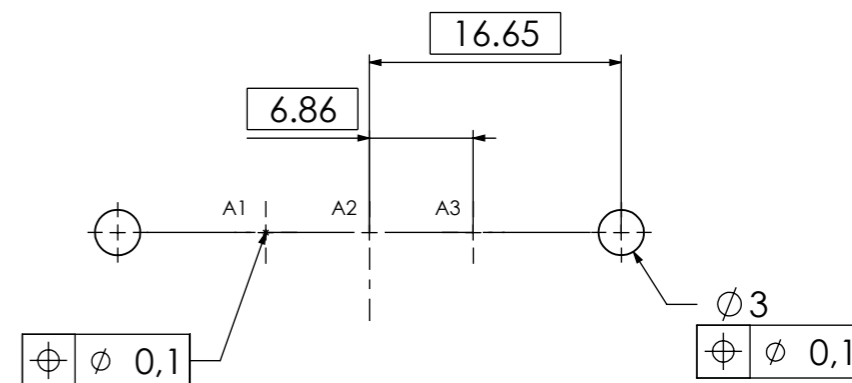
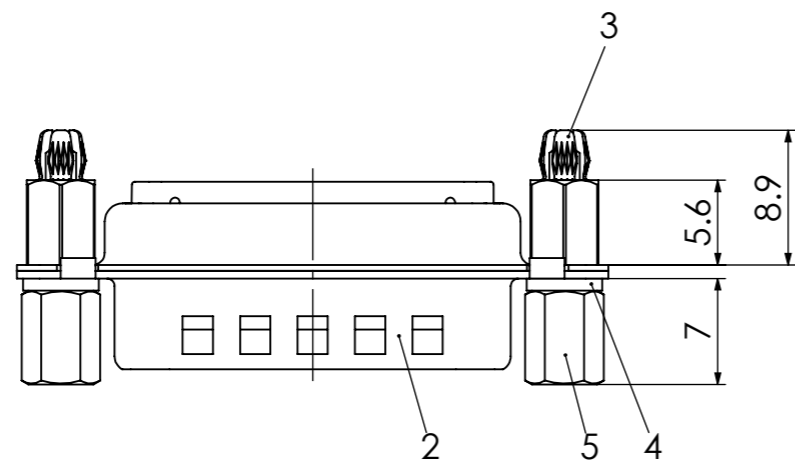


RoHS compliant
by exemption



PCB hole pattern, mounting side



| No. | St. | Part | Type Description/Material | Surface plating/Colour/Class |
|-----|-----|-------------------|------------------------------------|------------------------------|
| 5 | 2 | Female screw lock | F-GSCH1/5-K829 / Steel | tin plated |
| 4 | 2 | Washer | Steel | tin plated |
| 3 | 2 | Snap-in bolt | PCB 1.6mm / Brass | tin plated |
| 2 | 1 | Shell | Steel | tin plated |
| 1 | 1 | Insulator | PBT (-55°C to +130°C) acc. UL94V-0 | green |

| FUNCTIONAL SYMBOLS | | | | | THIS DRAWING CONTAINS INFORMATION THAT IS PROPRIETARY TO MOLEX ELECTRONIC TECHNOLOGIES, LLC AND SHOULD NOT BE USED WITHOUT WRITTEN PERMISSION | | | | | |
|--------------------|-------|-------|-----------------|-------|---|------------------------|------------|--|--------|--------------|
| ▽ = 0 | ▽ = 0 | ▽ = 0 | DIMENSION UNITS | SCALE | MEASUREMENTS WITHOUT TOLERANCE ACC. TO ISO 2768-m | | | | | |
| | | | mm | 2:1 | molex FCT D-Sub Mixed-Layout Connector | | | | | |
| | | | | | | | | | | |
| | | | | | CURRENT REVISION | | | | | |
| | | | | | DRWN: DRAWN BY | mteubel | 18-12-2023 | PRODUCT CUSTOMER DRAWING MATERIAL NUMBER 1731071015 | | |
| | | | | | APPR: APPR BY | msteinbrueck | 22-12-2023 | | | |
| | | | | | INITIAL REVISION | | | | | |
| | | | | | DRWN: DRAWN BY | ADenzinger | 13-06-2006 | DOCUMENT NUMBER FM3W3P-1256 | | |
| | | | | | APPR: APPR BY | sschref | 13-06-2006 | | | |
| | | | | | REPLACEMENT FOR: | FRIST ANGLE PROJECTION | DRAWING | CUSTOMER | | SHEET NUMBER |
| | | | | | 1731071015_Rev.A1 | | A3-SIZE | GENERAL MARKET | 1 OF 1 | |

COMMENT:
ALL RIGHTS ARE RESERVED BY US FOR THIS DRAWING. WITHOUT OUR PRIOR CONSENT, IT MAY NEITHER BE DUPLICATED NOR MADE AVAILABLE TO A THIRD PARTY. AND IT ALSO MAY NOT BE IMPROPERLY USED BY THE RECEIVER, OR A THIRD PARTY.