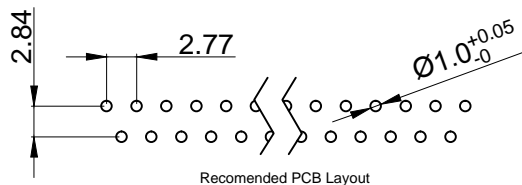
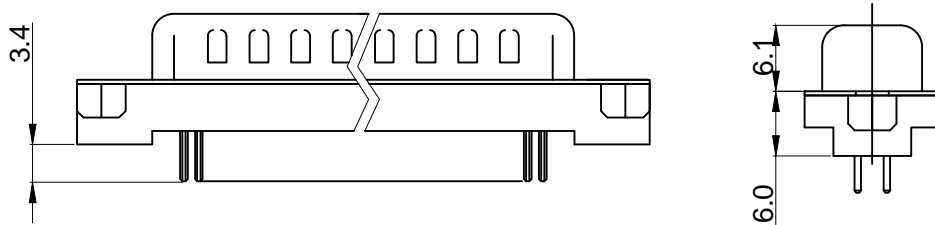
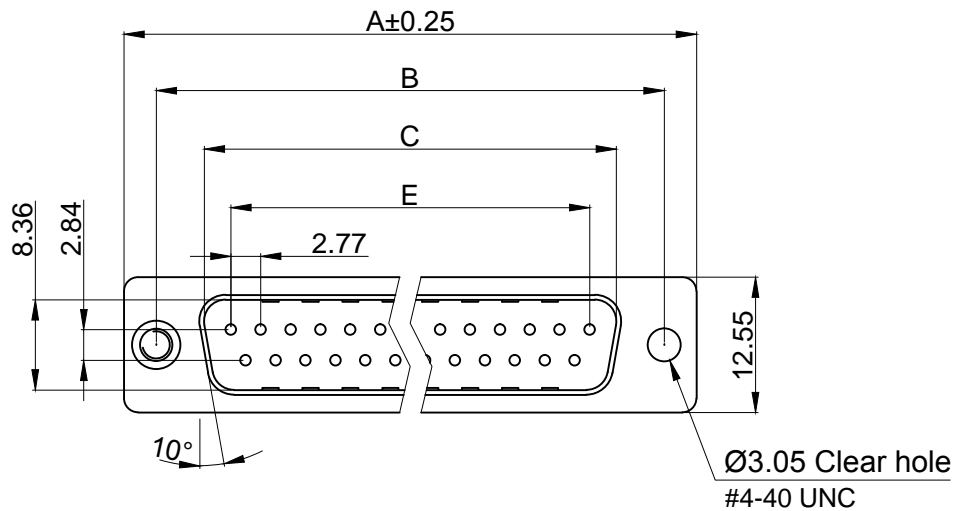


Male



SPECIFICATION

MATERIAL

Insulator : Glass-Filled PBT UL94V-0
 PBT=material can stand 220°, for 5~10 second
 Contact : Copper alloy
 Front Shell : Steel, 60u" Nickel Over 50u" min Copper
 Clinch Nut: Brass, Nickel Plated.

CONTACT PLATING

Underplate: 50u" Nickel
 Contact Area: 1u" Selective Gold
 Solder Tails Area: 100u" Tin(Brighten Tin)

ELECTRICAL

Contact Resistance :20 milliohms Max at 1 AMP DC.
 Insulation Resistance :1000 Mohms at 500 VDC
 Dielectric Withstanding Voltage : 1000 VAC/rms 60Hz for 1 minute
 Current Rating : 3 AMP

① Voltage Rating :250 VAC/rms 60Hz
 Operate temperature: -55°C~+105°C

Order Code:

A-Dx xx PP/LP-xx-THT

Contact style:
 F - Female
 S - Male

Empty: Dia 3.05mm clear hole
 T: 4-40 threaded hole

No. of Contacts

09 / 15 / 25 / 37

Standard: Quality class III

Dimensions

Positions	A	B	C	E
9	30.81	24.99	16.92	11.08
15	39.20	33.30	25.25	19.39
25	53.05	47.04	38.96	33.24
37	69.40	63.50	55.42	49.86

G	RoHS compliant Unit: mm	Scale	Free					Date	Name	Description: D-SUB Connector	
		TOLERANCE						Drawn	14.11.2019	Winnie	ASSMANN WSW-No. A-DS xx PP/LP-THT
		X.	±0.38				Approved	23.12.2020	Luca		
H		X.X	±0.25							Drawing-No.	
		X.XX	±0.13							ASS 8504 CO	
		ANGLE	±X°	①	Update operating temperature	23.12.2020	Luca	ASSMANN WSW components			rev01
		X.	±3°	②	Drawn	14.11.2019	Winnie				Customer-No.
				Id.	Modification	Date	Name		Sheet	1/6	

1

2

3

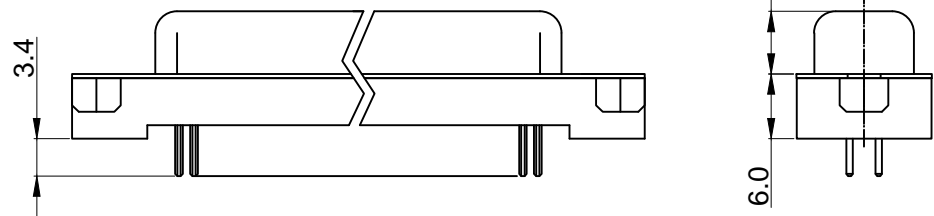
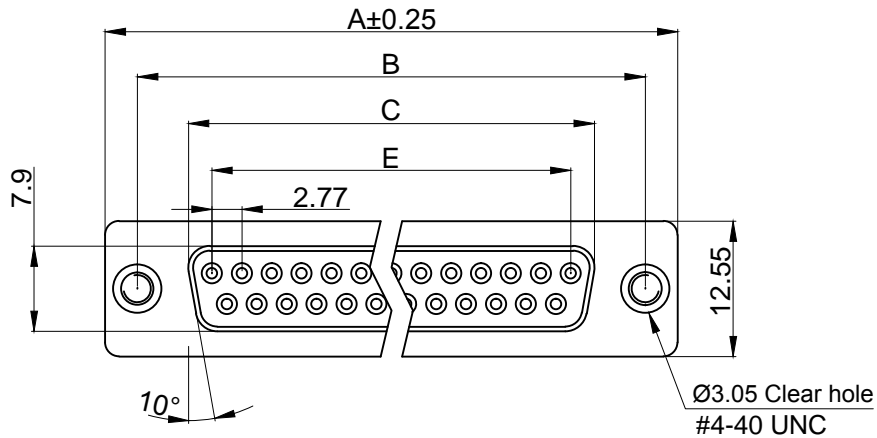
4

5

6

7

Female



SPECIFICATION

MATERIAL

Insulator : Glass-Filled PBT UL94V-0
 PBT=material can stand 220°, for 5~10 second
 Contact : Copper alloy
 Front Shell : Steel, 60u" Nickel Over 50u" min Copper
 Clinch Nut: Brass, Nickel Plated.

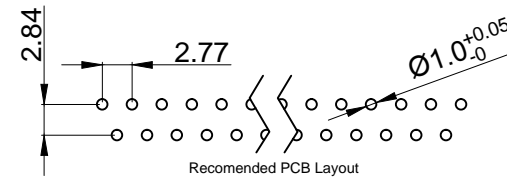
CONTACT PLATING

Underplate: 50u" Nickel
 Contact Area: 1u" Selective Gold
 Solder Tails Area: 100u" Tin(Brighten Tin)

ELECTRICAL

Contact Resistance :20 milliohms Max at 1 AMP DC.
 Insulation Resistance :1000 Mohms at 500 VDC
 Dielectric Withstanding Voltage : 1000 VAC/rms 60Hz for 1 minute
 Current Rating :3 AMP
 Volatge Rating :250 VAC/rms 60Hz
 Operate temperature: -55°C~+105°C

①



Dimensions

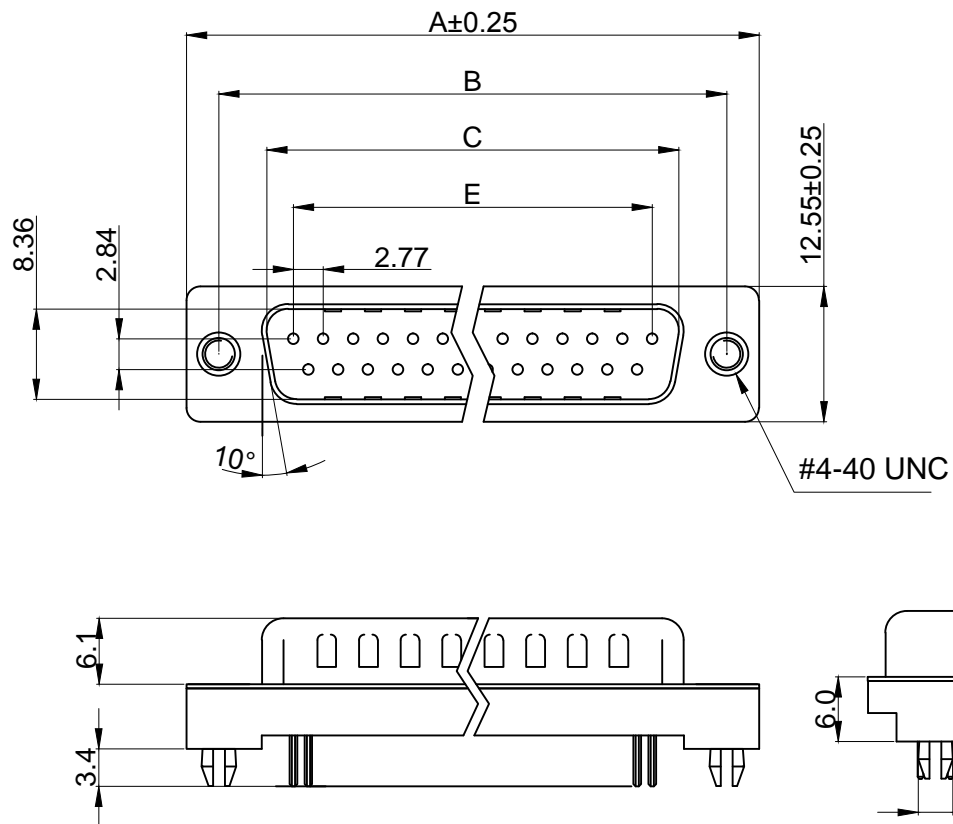
Positions	A	B	C	E
9	30.81	24.99	16.33	11.08
15	39.20	33.30	24.70	19.39
25	53.05	47.04	38.40	33.24
37	69.40	63.50	54.80	49.86

RoHS compliant
 Unit: mm

Scale	Free			Date	Name	Description: D-SUB Connector
TOLERANCE				Drawn	14.11.2019	Winnie
X.	±0.38			Approved	23.12.2020	Luca
X.X	±0.25					
X.XX	±0.13					
ANGLE	±X°	①	Update operating temperature	23.12.2020	Luca	Drawing-No. ASS 8504 CO
X.	±3°	②	Drawn	14.11.2019	Winnie	
X.X	±1.0°					Customer-No.
		Id.	Modification	Date	Name	Sheet 2/6



Male



SPECIFICATION

MATERIAL

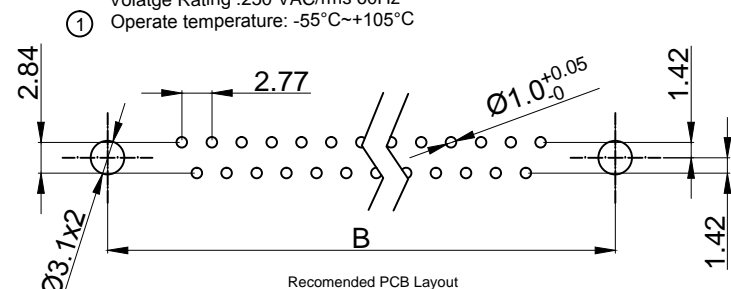
Insulator : Glass-Filled PBT UL94V-0
 PBT=material can stand 220°, for 5~10 second
 Contact : Copper alloy
 Front Shell : Steel, 60u" Nickel Over 50u" min Copper
 Boardlock: Brass, Tin Plated.

CONTACT PLATING

Underplate: 50u" Nickel
 Contact Area: 1u" Selective Gold
 Solder Tails Area: 100u" Tin(Brighten Tin)

ELECTRICAL

Contact Resistance :20 milliohms Max at 1 AMP DC.
 Insulation Resistance :1000 Mohms at 500 VDC
 Dielectric Withstanding Voltage : 1000 VAC/rms 60Hz for 1 minute
 Current Rating :3 AMP
 Volatge Rating :250 VAC/rms 60Hz
 Operate temperature: -55°C~+105°C



Dimensions

Positions	A	B	C	E
9	30.81	24.99	16.92	11.08
15	39.20	33.30	25.25	19.39
25	53.05	47.04	38.96	33.24
37	69.40	63.50	55.42	49.86

RoHS compliant
 Unit: mm

Scale	Free
TOLERANCE	
X.	±0.38
X.X	±0.25
X.XX	±0.13
ANGLE	±X°
X.	±3°
X.X	±1.0°
Id.	Modification

			Date	Name	Description: D-SUB Connector
		Drawn	14.11.2019	Winnie	ASSMANN WSW-No. A-DS xx PP/LP-T1-THT
		Approved	23.12.2020	Luca	
①	Update operating temperature		23.12.2020	Luca	Drawing-No.
②	Drawn		14.11.2019	Winnie	ASS 8504 CO
					rev01
					Customer-No.
					Sheet
					3/6



Female

SPECIFICATION

MATERIAL

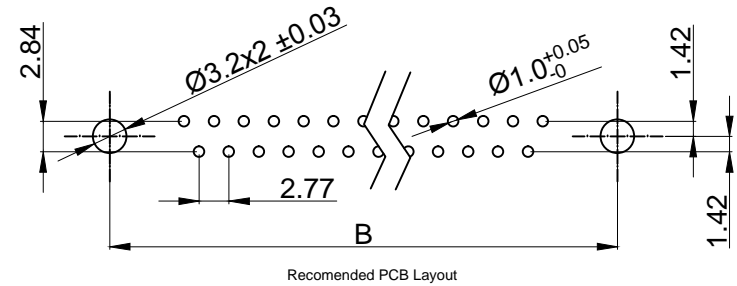
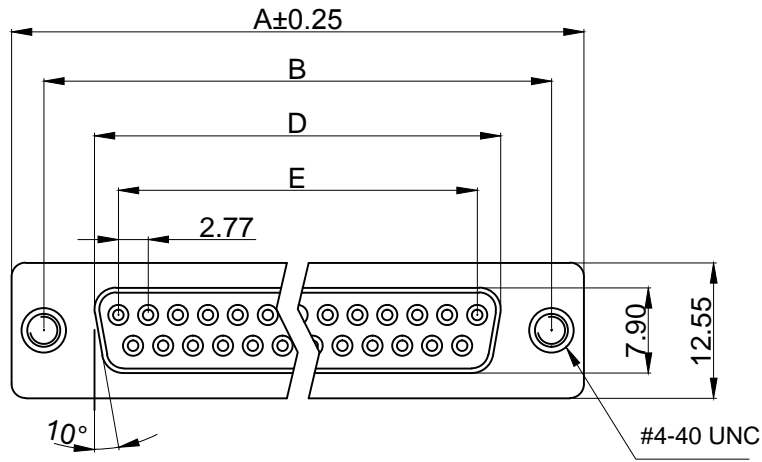
Insulator : Glass-Filled PBT UL94V-0
 PBT=material can stand 220°, for 5~10 second
 Contact : Phosphor Bronze
 Front Shell : Steel, 80u" Nickel Over 50u" min Copper
 Boardlock: Brass, Tin Plated.

CONTACT PLATING

Underplate: 50u" Nickel
 Contact Area: 1u" Selective Gold
 Solder Tails Area: 100u" Tin(Brighten Tin)

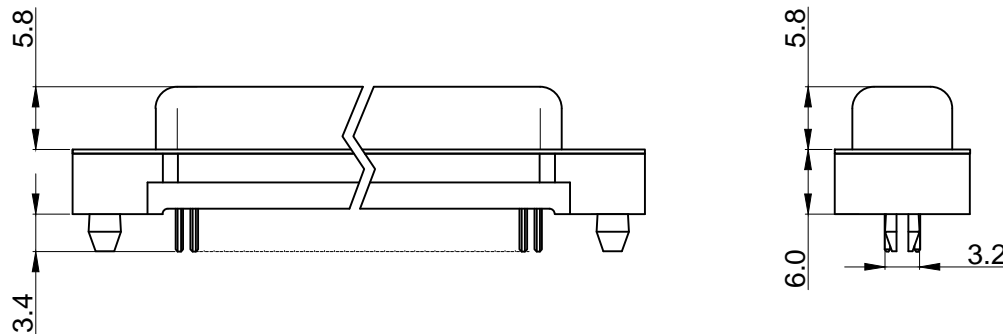
ELECTRICAL

Contact Resistance :20 milliohms Max at 1 AMP DC.
 Insulation Resistance :1000 Mohms at 500 VDC
 Dielectric Withstanding Voltage : 1000 VAC/rms 60Hz for 1 minute
 Current Rating :3 AMP
 Voltage Rating :250 VAC/rms 60Hz
 Operate temperature: -55°C~+105°C



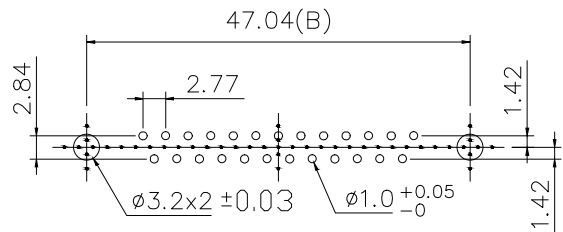
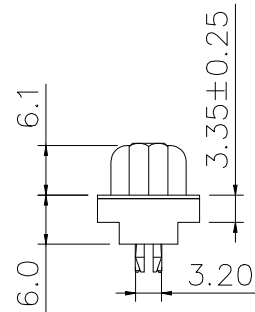
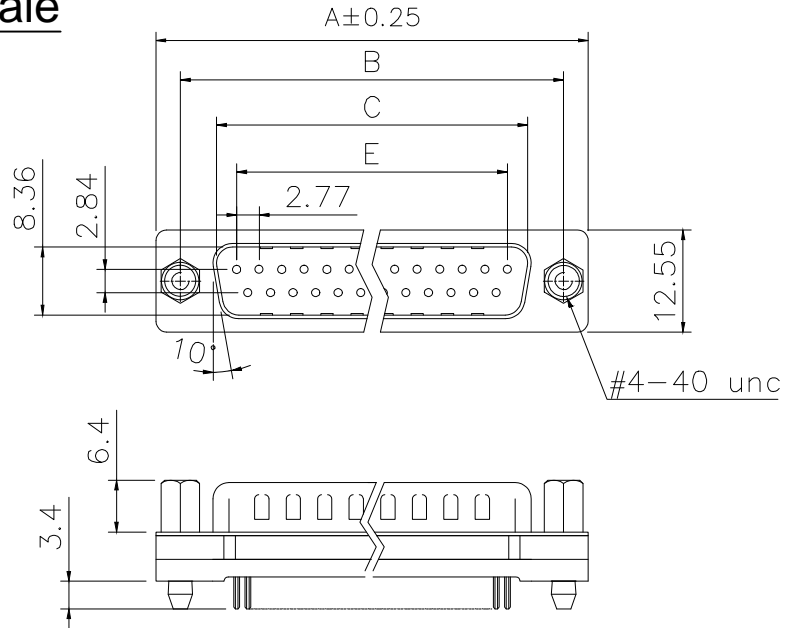
Dimensions

Positions	A	B	D	E
9	30.81	24.99	16.33	11.08
15	39.20	33.30	24.70	19.39
25	53.05	47.04	38.40	33.24
37	69.40	63.50	54.80	49.86

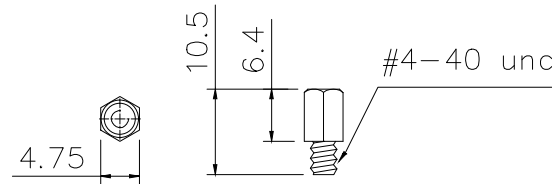


G	RoHS compliant Unit: mm	Scale	Free				Date	Name	Description: D-SUB Connector		
		TOLERANCE					Drawn	14.11.2019	Winnie	ASSMANN WSW-No. A-DF xx PP/LP-T1-THT	
		X.	±0.38				Approved	23.12.2020	Luca		
X.X	±0.25										
H		X.XX	±0.13						Drawing-No.		
		ANGLE	±X°	①	Update operating temperature	23.12.2020	Luca	ASSMANN WSW components		ASS 8504 CO	rev01
		X.	±3°	②	Drawn	14.11.2019	Winnie			Customer-No.	Sheet
		X.X	±1.0°							4/6	
				Id.	Modification	Date	Name				

Male



Recomended PCB Layout



#4-40 unc screwlock installed

SPECIFICATION

MATERIAL

Insulator : Glass-Filled PBT UL94V-0
 PBT=material can stand 260°, for 5~10 second
 Contact : Phosphor Bronze
 Front Shell : Steel, 80u" Nickel Over 50u" min Copper
 Boardlock: Brass, Tin Plated.
 Screwlock: Steel, 80u" Nickel Plated.

CONTACT PLATING

Underplate: 50u" Nickel
 Contact Area: 1u" Selective Gold
 Solder Tails Area: 100u" Tin(Brighten Tin)

ELECTRICAL

Contact Resistance :20 milliohms Max at 1 AMP DC.
 Insulation Resistance :1000 Mohms at 500 VDC
 Dielectric Withstanding Voltage : 1000 VAC/rms 60Hz for 1 minute
 Current Rating :3 AMP
 Volatge Rating :250 VAC/rms 60Hz
 Operate temperature: -55°C~+105°C

Dimensions

Positions	A	B	C	E
9	30.81	24.99	16.92	11.08
15	39.20	33.30	25.25	19.39
25	53.05	47.04	38.96	33.24
37	69.40	63.50	55.42	49.86

G	RoHS compliant Unit: mm	Scale	Free				Date	Name	Description: D-SUB Connector		
		TOLERANCE					Drawn	14.11.2019	Winnie	ASSMANN WSW-No. A-DS xx PP/LP-T2-THT	
		X.	±0.38			Approved	23.12.2020	Luca			
X.X	±0.25										
H		X.XX	±0.13						Drawing-No.		
		ANGLE	±X°	①	Update operating temperature	23.12.2020	Luca	ASSMANN WSW components		ASS 8504 CO	rev01
		X.	±3°	②	Drawn	14.11.2019	Winnie			Customer-No.	Sheet
		X.X	±1.0°							5/6	
		Id.	Modification	Date	Name						

1

2

3

4

5

6

7

Female

SPECIFICATION

MATERIAL

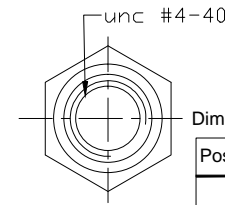
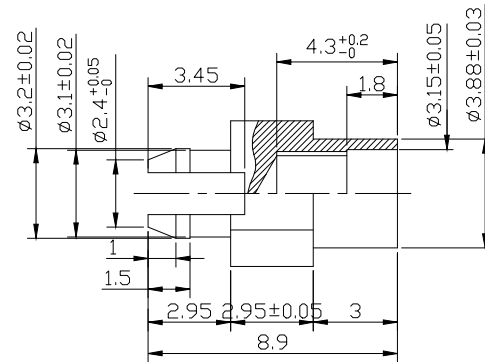
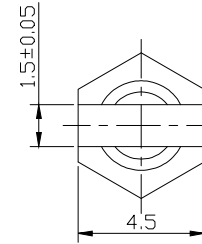
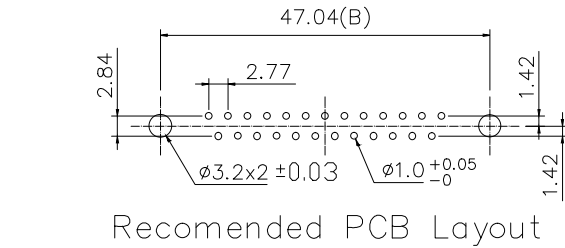
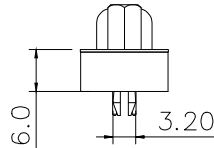
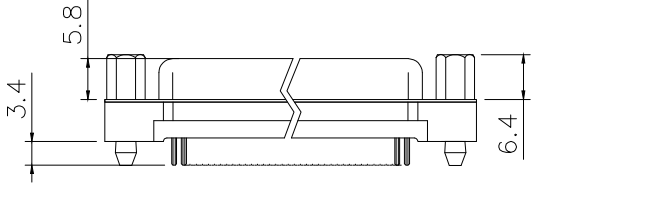
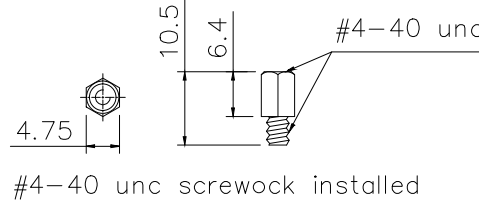
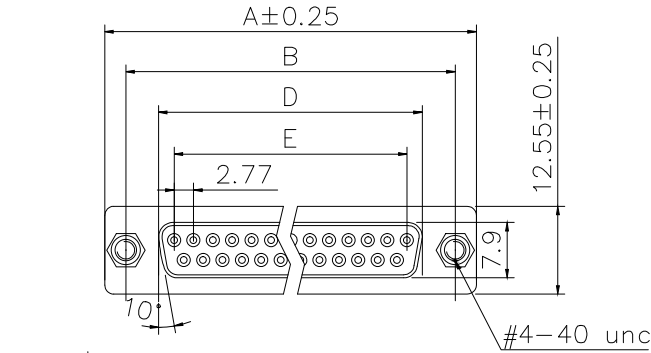
Insulator : Glass-Filled PBT UL94V-0
 PBT=material can stand 260°, for 5~10 second
 Contact : Phosphor Bronze
 Front Shell : Steel, 80u" Nickel Over 50u" min Copper
 Boardlock: Brass, Tin Plated.
 Screwlock: Steel, 80u" Nickel Plated.

CONTACT PLATING

Underplate: 50u" Nickel
 Contact Area: 1u" Selective Gold
 Solder Tails Area: 100u" Tin(Brighten Tin)

ELECTRICAL

Contact Resistance :20 milliohms Max at 1 AMP DC.
 Insulation Resistance :1000 Mohms at 500 VDC
 Dielectric Withstanding Voltage : 1000 VAC/rms 60Hz for 1 minute
 Current Rating :3 AMP
 Volatge Rating :250 VAC/rms 60Hz
 Operate temperature: -55°C~+105°C



Dimensions				
Positions	A	B	D	E
9	30.81	24.99	16.33	11.08
15	39.20	33.30	24.70	19.39
25	53.05	47.04	38.40	33.24
37	69.40	63.50	54.80	49.86

SCALE: 4 : 1

G	RoHS compliant Unit: mm	Scale	Free					Date	Name	Description: D-SUB Connector	
		TOLERANCE						Drawn	14.11.2019	Winnie	ASSMANN WSW-No. A-DF xx PP/LP-T2-THT
		X.	±0.38				Approved	23.12.2020	Luca		
		X.X	±0.25								
H		X.XX	±0.13							Drawing-No.	
		ANGLE	±X°	①	Update operating temperature	23.12.2020	Luca	ASSMANN WSW components		ASS 8504 CO	rev01
		X.	±3°	②	Drawn	14.11.2019	Winnie			Customer-No.	Sheet
		X.X	±1.0°							6/6	

1

2

3

4

5

6

7