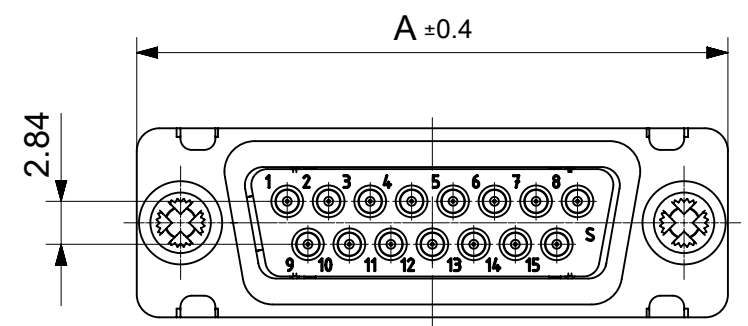
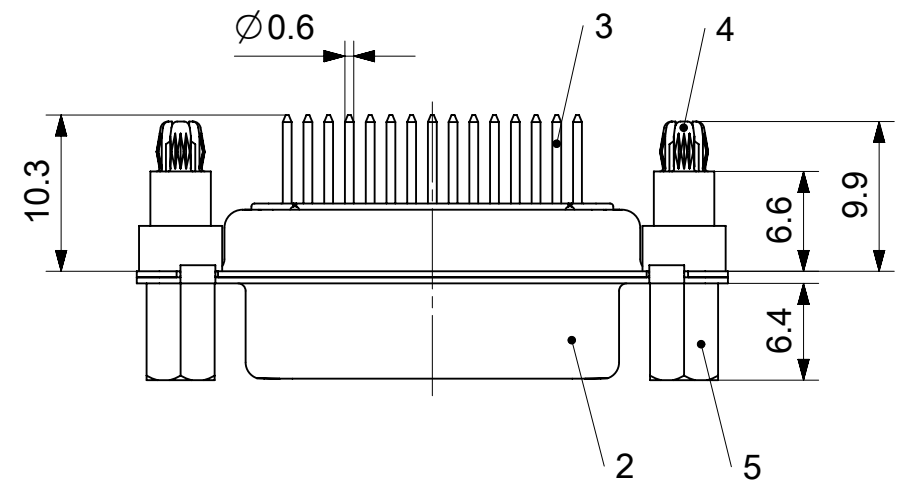
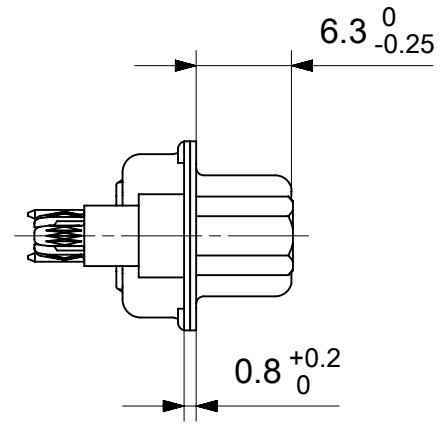
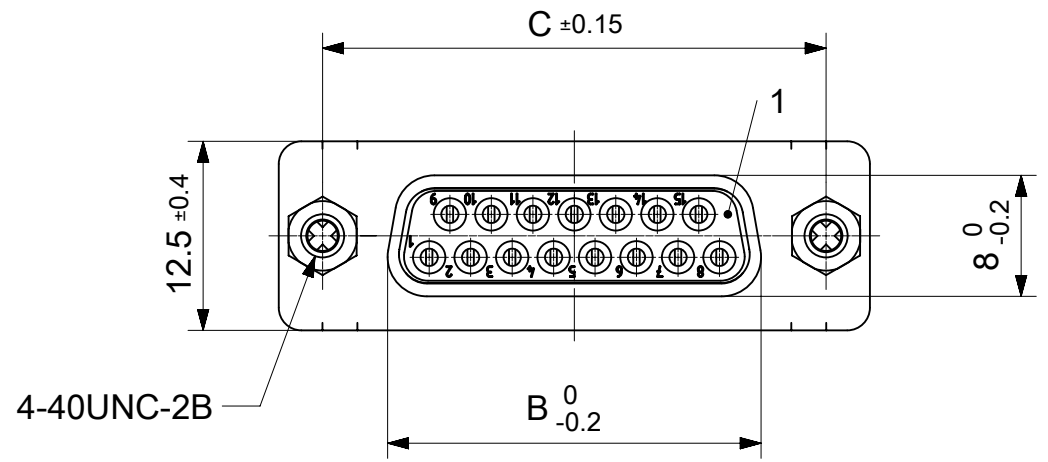


RoHS compliant  
by exemption



FCT Part number:

Fxx\*1)S1y\*2)-3924

e.g. F15S1G1-3924

\*1) xx No. of contacts 09, 15, 25 or 37

\*2) y for performance classes 1, 2 or 3

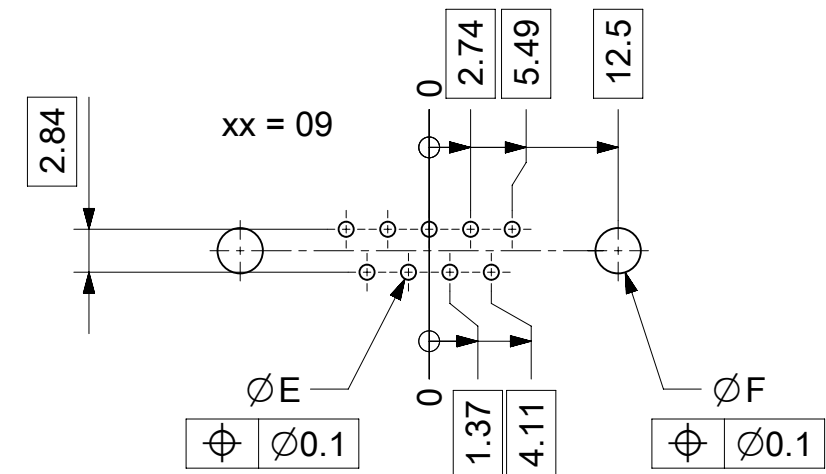
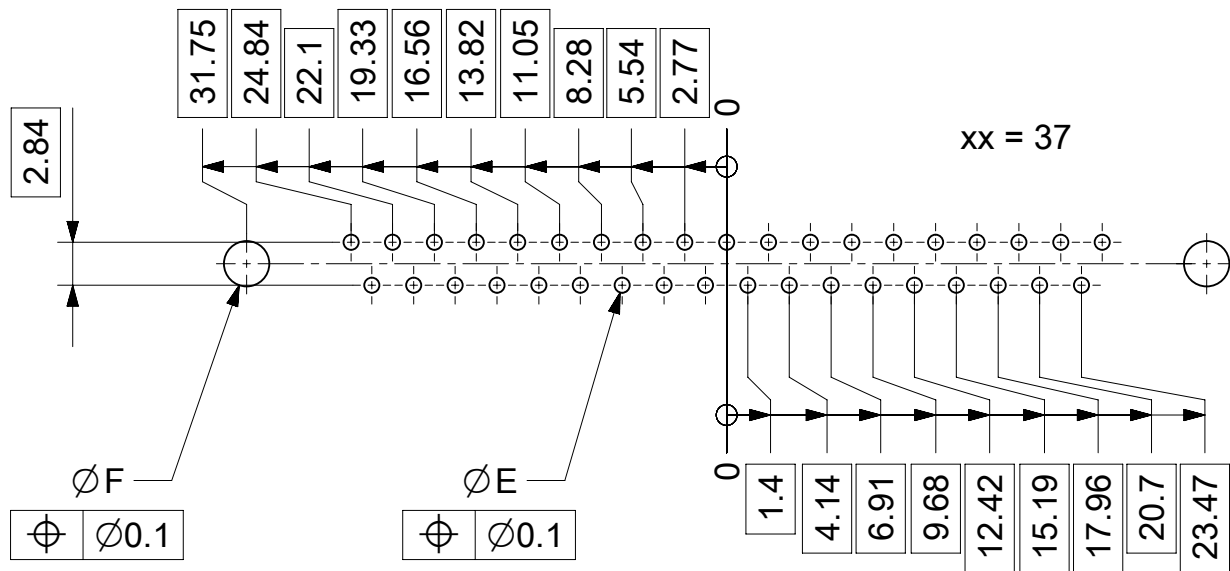
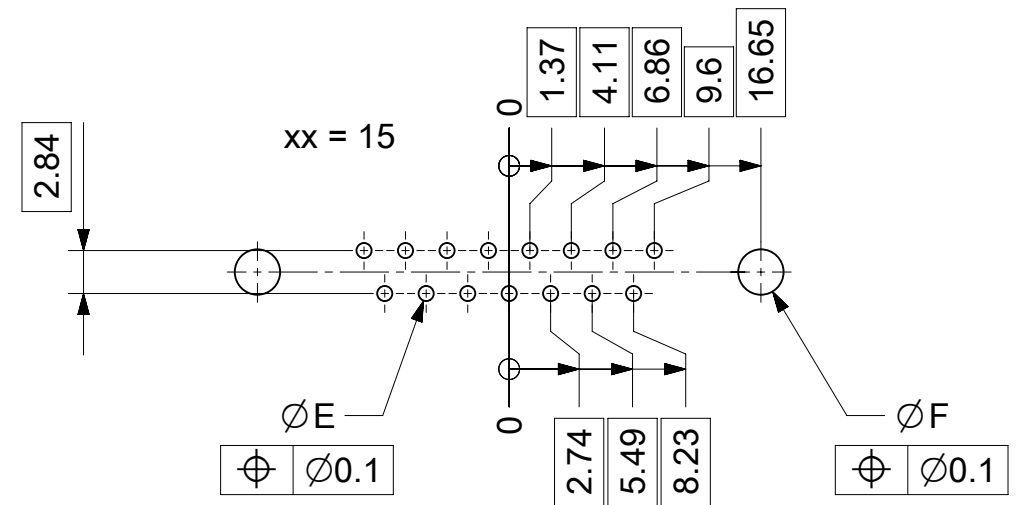
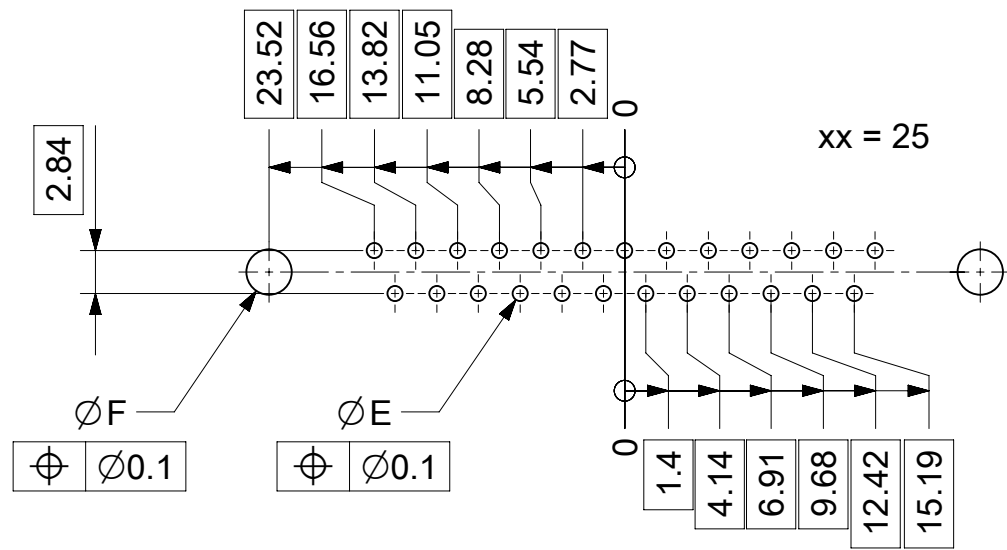
(contact cycle for G1/G2/G3 = 500/200/50)

Material Number	xx*1)	y*2)	A[mm]	B[mm]	C[mm]	*E[mm]	*F[mm]
1731091156	09	G1	30.8	16.4	25	Ø1	Ø3
1731090583		G2					
1731091329	15	G1	39.1	24.7	33.3		
1731091458	25	G1	53	38.5	47.04		
1731091545	37	G1	69.3	54.9	63.5		

\*PCB hole patterns ØE, ØF see document 2195600023

No.	Pc.	Part	Type Description/Material	Surface plating/Color/Class
5	2	Threaded spacer	4-40 / Steel	tin plated
4	2	Snap-in Bolt	PCB 1.6mm / Brass	tin plated
3	xx	Signal contact	S1 / Brass	G1 / G2
2	1	Shell	Steel	tin plated
1	1	Insulator	PBT (-55°C to +125°C) acc. UL94V-0	white

MEASUREMENTS WITHOUT TOLERANCE ACC TO ISO 2768-m				REPLACEMENT FOR DOCUMENT NUMBER: FxxS1Gy-3924			
FUNCTIONAL SYMBOLS		THIS DRAWING CONTAINS INFORMATION THAT IS PROPRIETARY TO MOLEX ELECTRONIC TECHNOLOGIES, LLC AND SHOULD NOT BE USED WITHOUT WRITTEN PERMISSION		<div style="text-align: center; font-size: 24px; font-weight: bold;">molex</div> <p>FCT D-SUB MINIATURE CONNECTOR</p> <p>PRODUCT CUSTOMER DRAWING</p>			
$\nabla_A = 0$ $\nabla_E = 0$ $\nabla_F = 0$		DIMENSION UNITS: mm SCALE: 2:1 GENERAL TOLERANCES (UNLESS SPECIFIED) ANGULAR TOL ± °					
DIVISIONAL SYMBOLS		CURRENT REV DESC:		EC NO: 707726		2021/12/01	
4 PLACES ±		DRWN: SUGEEB		2022/05/25		2022/05/25	
3 PLACES ±		CHK'D: MTEUBEL		INITIAL REVISION:		DOCUMENT NUMBER	
2 PLACES ±		APPR: MTEUBEL		DRWN: SUGEEB		1731091156	
1 PLACE ±		INITIAL REVISION:		2021/12/01		DOC TYPE	
0 PLACES ±		DRWN: SUGEEB		2022/05/25		PSD	
DRAFT WHERE APPLICABLE MUST REMAIN WITHIN DIMENSIONS		FIRST ANGLE PROJECTION		DRAWING		DOC PART	
				A3-SIZE		000	
		SERIES		MATERIAL NUMBER		REVISION	
		173109		SEE TABLE		A	
		CUSTOMER		SHEET NUMBER			
		GENERAL MARKET		1 OF 1			



ØE, ØF see data sheet incl. connector  
 ØF connectors with accessories only

MEASUREMENTS WITHOUT TOLERANCE ACC TO ISO 2768-m			REPLACEMENT FOR DOCUMENT NUMBER: AM0023					
THIS DRAWING CONTAINS INFORMATION THAT IS PROPRIETARY TO MOLEX ELECTRONIC TECHNOLOGIES, LLC AND SHOULD NOT BE USED WITHOUT WRITTEN PERMISSION								
FUNCTIONAL SYMBOLS	DIMENSION UNITS	SCALE	CURRENT REV DESC:					
$\nabla_A = 0$	mm	2:1	EC NO: 713905 DRWN: SKANDB 2022/05/16 CHK'D: MTEUBEL 2022/07/12 APPR: MTEUBEL 2022/07/12 INITIAL REVISION: DRWN: SKANDB 2022/05/16 APPR: MTEUBEL 2022/07/12					
$\nabla_E = 0$	GENERAL TOLERANCES (UNLESS SPECIFIED)					<b>molex</b>  FCT PCB HOLE PATTERN STRAIGHT CONTACT NO. OF CONTACTS 09-37		
$\nabla_P = 0$	ANGULAR TOL ± °							
DIVISIONAL SYMBOLS	4 PLACES ±							
	3 PLACES ±		PRODUCT CUSTOMER DRAWING DOCUMENT NUMBER: 2195600023 DOC TYPE: PSD DOC PART: 000 REVISION: A					
	2 PLACES ±							
	1 PLACE ±							
	0 PLACES ±		MATERIAL NUMBER: 219560 CUSTOMER: GENERAL MARKET SHEET NUMBER: 1 OF 1					
DRAFT WHERE APPLICABLE MUST REMAIN WITHIN DIMENSIONS		FIRST ANGLE PROJECTION	DRAWING: A3-SIZE	SERIES: 219560	MATERIAL NUMBER: 219560			