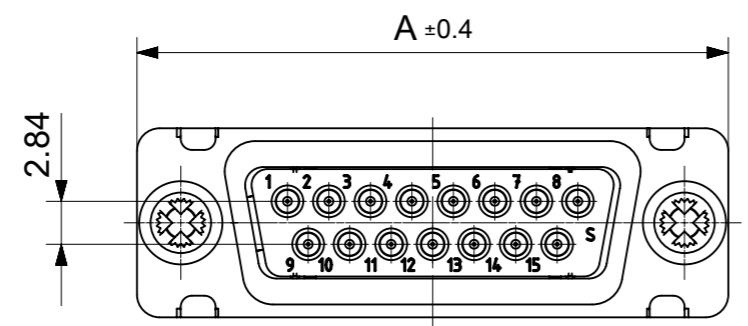
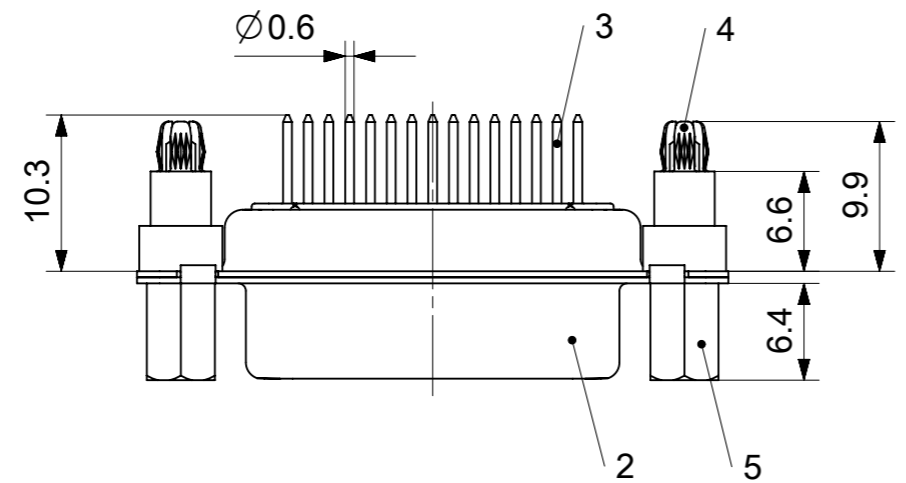
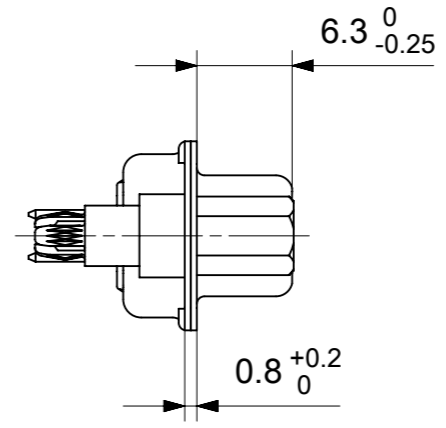
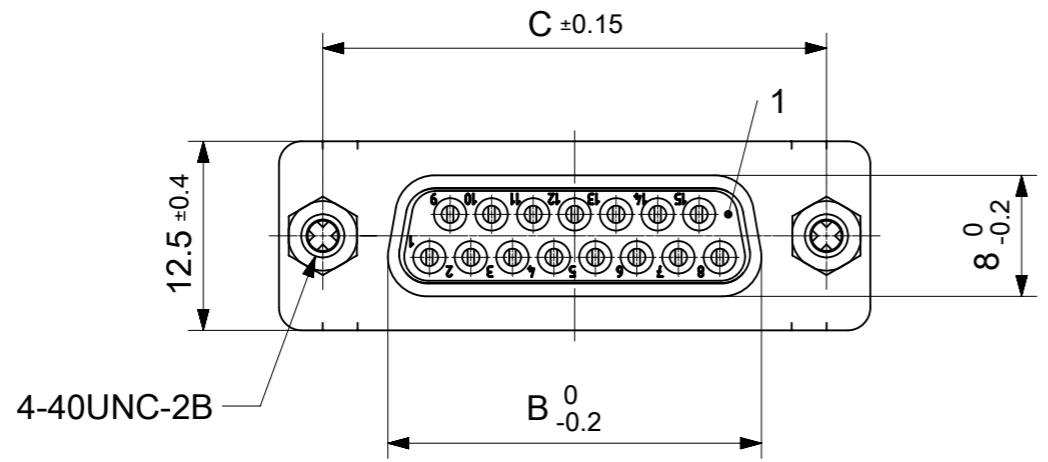


RoHS compliant  
by exemption



FCT Part number:

Fxx\*1)S1y\*2)-3924

e.g. F15S1G1-3924

\*1) xx No. of contacts 09, 15, 25 or 37

\*2) y for performance classes 1, 2 or 3

(contact cycle for G1/G2/G3 = 500/200/50)

Material Number	xx*1)	y*2)	A[mm]	B[mm]	C[mm]	*E[mm]	*F[mm]
1731091156	09	G1	30.8	16.4	25	Ø1	Ø3
1731090583		G2					
1731091329	15	G1	39.1	24.7	33.3		
1731091458	25	G1	53	38.5	47.04		
1731091545	37	G1	69.3	54.9	63.5		

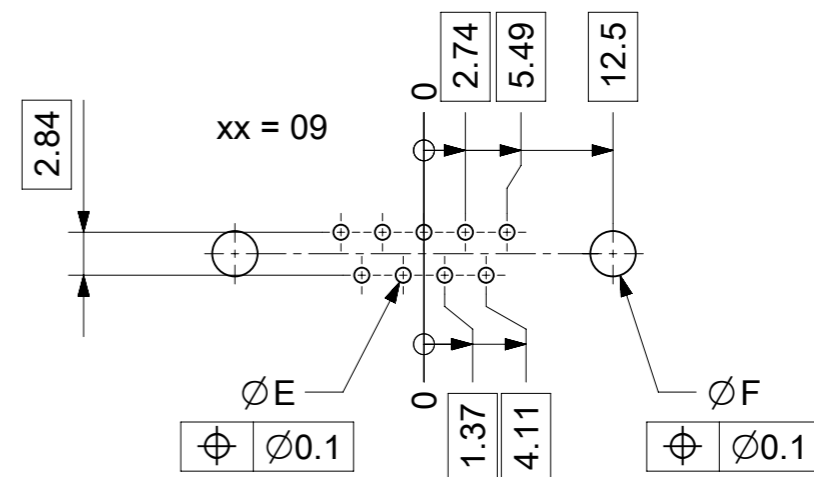
\*PCB hole patterns ØE, ØF see document 2195600023

No.	Pc.	Part	Type Description/Material	Surface plating/Color/Class
5	2	Threaded spacer	4-40 / Steel	tin plated
4	2	Snap-in Bolt	PCB 1.6mm / Brass	tin plated
3	xx	Signal contact	S1 / Brass	G1 / G2
2	1	Shell	Steel	tin plated
1	1	Insulator	PBT (-55°C to +125°C) acc. UL94V-0	white

MEASUREMENTS WITHOUT TOLERANCE ACC TO ISO 2768-m

REPLACEMENT FOR DOCUMENT NUMBER: FxxS1Gy-3924

FUNCTIONAL SYMBOLS	THIS DRAWING CONTAINS INFORMATION THAT IS PROPRIETARY TO MOLEX ELECTRONIC TECHNOLOGIES, LLC AND SHOULD NOT BE USED WITHOUT WRITTEN PERMISSION	CURRENT REV DESC:	<b>molex</b>
FUNCTIONAL SYMBOLS	GENERAL TOLERANCES (UNLESS SPECIFIED)	EC NO: 707726	
FUNCTIONAL SYMBOLS	ANGULAR TOL ± °	DRWN: SUGEEB	FCT D-SUB MINIATURE CONNECTOR
DIVISIONAL SYMBOLS	4 PLACES ±	2021/12/01	PRODUCT CUSTOMER DRAWING
DIVISIONAL SYMBOLS	3 PLACES ±	2022/05/25	
DIVISIONAL SYMBOLS	2 PLACES ±	APPR: MTEUBEL	DOCUMENT NUMBER
DIVISIONAL SYMBOLS	1 PLACE ±	2022/05/25	
DIVISIONAL SYMBOLS	0 PLACES ±	INITIAL REVISION:	DOC TYPE
DIVISIONAL SYMBOLS	DRAFT WHERE APPLICABLE MUST REMAIN WITHIN DIMENSIONS	DRWN: SUGEEB	PSD
DIVISIONAL SYMBOLS	FIRST ANGLE PROJECTION	2021/12/01	DOC PART
DIVISIONAL SYMBOLS	DRAWING	2022/05/25	000
DIVISIONAL SYMBOLS	SERIES	2022/05/25	A
DIVISIONAL SYMBOLS	MATERIAL NUMBER	173109	REVISION
DIVISIONAL SYMBOLS	CUSTOMER	SEE TABLE	
DIVISIONAL SYMBOLS	SHEET NUMBER	GENERAL MARKET	
DIVISIONAL SYMBOLS		1 OF 1	



$\varnothing E$ ,  $\varnothing F$  see data sheet incl. connector  
 $\varnothing F$  connectors with accessories only

MEASUREMENTS WITHOUT TOLERANCE ACC TO ISO 2768-m			REPLACEMENT FOR DOCUMENT NUMBER: AM0023			
THIS DRAWING CONTAINS INFORMATION THAT IS PROPRIETARY TO MOLEX ELECTRONIC TECHNOLOGIES, LLC AND SHOULD NOT BE USED WITHOUT WRITTEN PERMISSION						
FUNCTIONAL SYMBOLS	DIMENSION UNITS	SCALE	CURRENT REV DESC:			
$\nabla_A = 0$	mm	2:1	EC NO: 713905			
$\nabla_E = 0$	GENERAL TOLERANCES (UNLESS SPECIFIED)		DRWN: SKANDB 2022/05/16			
$\nabla_P = 0$	ANGULAR TOL $\pm$ °		CHK'D: MTEUBEL 2022/07/12			
DIVISIONAL SYMBOLS	4 PLACES	$\pm$	APPR: MTEUBEL 2022/07/12			
	3 PLACES	$\pm$	INITIAL REVISION:			
	2 PLACES	$\pm$	DRWN: SKANDB 2022/05/16			
	1 PLACE	$\pm$	APPR: MTEUBEL 2022/07/12			
	0 PLACES	$\pm$	DOCUMENT NUMBER			
DRAFT WHERE APPLICABLE MUST REMAIN WITHIN DIMENSIONS		FIRST ANGLE PROJECTION	DRAWING	SERIES	MATERIAL NUMBER	CUSTOMER
			A3-SIZE	219560	219560	GENERAL MARKET
			DOC TYPE	DOC PART	REVISION	
			PSD	000	A	
			SHEET NUMBER			
			1 OF 1			