

MATERIALS AND FINISHES

BODY: BERYLLIUM COPPER
 PLATED GOLD (1μ-in MIN)
 OVER NICKEL PHOSPHOR (80μ-in MIN)
 OVER COPPER (20μ-in MIN)

CONTACT: BERYLLIUM COPPER
 PLATED GOLD (8μ-in MIN)
 OVER NICKEL PHOSPHOR (80μ-in MIN)
 OVER COPPER (20μ-in MIN)

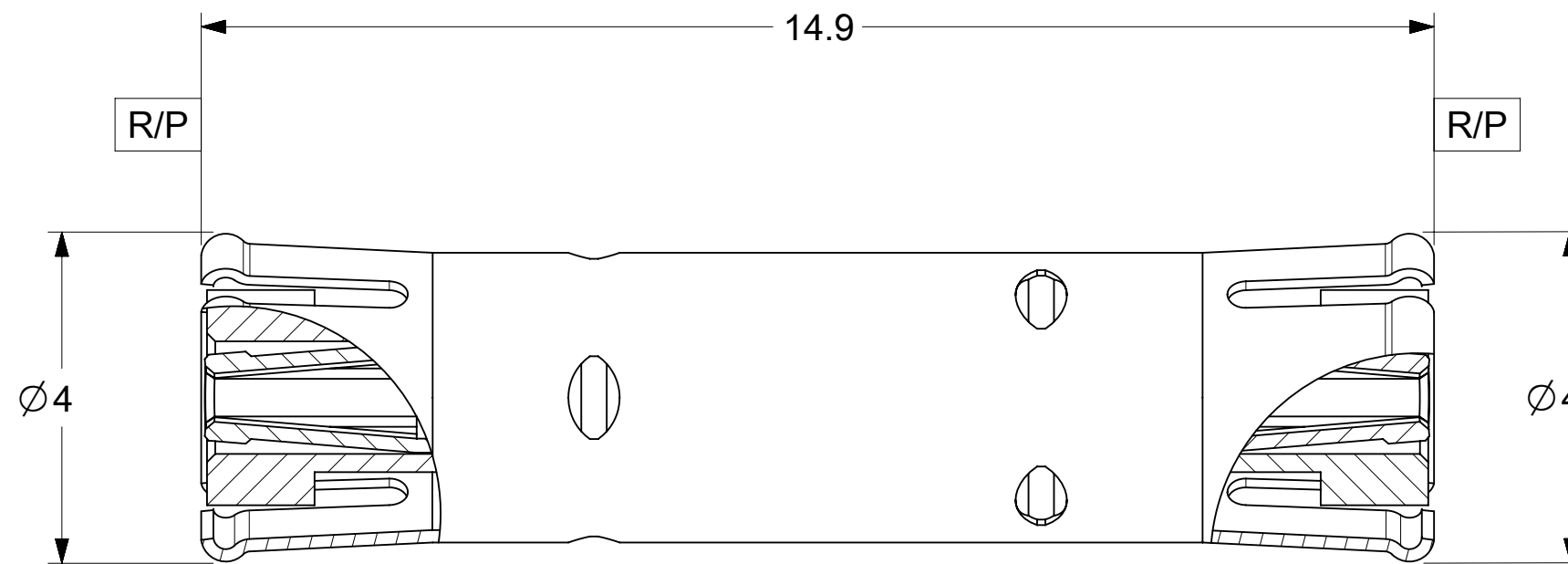
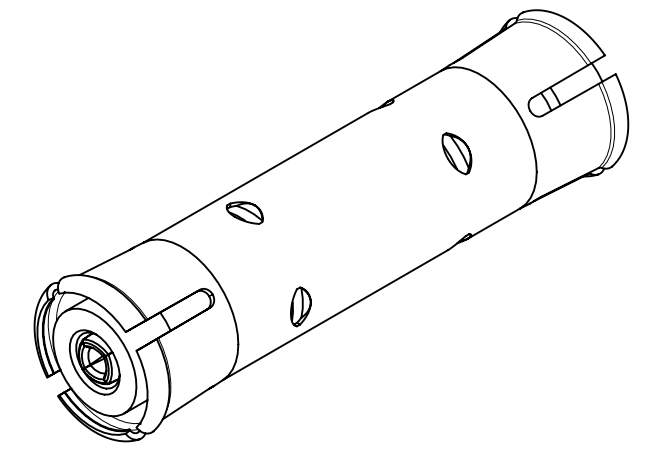
INSULATOR: PTFE

ELECTRICAL CHARACTERISTICS:

NOMINAL IMPEDANCE: 50Ω
 FREQUENCY RANGE: DC-10 GHz
 VSWR: 1.25 MAX UP TO 3GHz, 1.35 MAX 3-6GHz
 INSERTION LOSS: *0.15√F (GHz) dB MAX
 *COAXIAL TRANSMISSION LINE ONLY
 VOLTAGE RATING: 330 Vrms AT SEA LEVEL
 DIELECTRIC WITHSTANDING VOLTAGE: 1000 Vrms
 INSULATION RESISTANCE: 5000 MΩ

OTHERS:

AXIAL WORKING RANGE: 0 ~ 2 mm
 (SHOULD BE WITH SPECIAL RECEPTACLE FOR
 AXIAL MISALIGNMENT 0 ~ 2.4 mm)

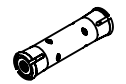


73420-5930	TRAY
PART NO.	PACKAGING

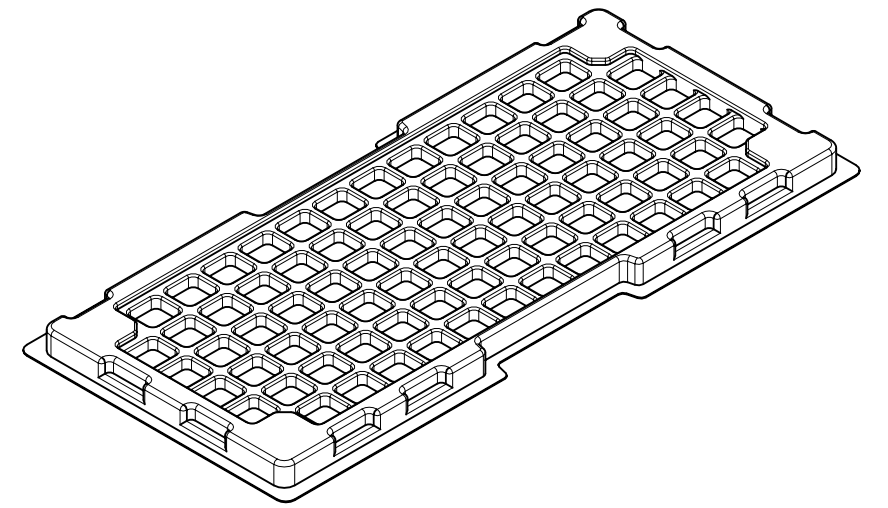
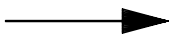
PS-89675-3760	ELEC/MECH PERFORMANCE
SPECIFICATION	DESCRIPTION

THIS DRAWING CONTAINS INFORMATION THAT IS PROPRIETARY TO MOLEX ELECTRONIC TECHNOLOGIES, LLC AND SHOULD NOT BE USED WITHOUT WRITTEN PERMISSION									
DIMENSION UNITS	SCALE	CURRENT REV DESC: UPDATE DOCUMENT TYPE FROM RSD TO PSD PER EWR #14636-A							
mm	NTS								
GENERAL TOLERANCES (UNLESS SPECIFIED)					SMP-MAX EVO2 JJ J BULLET L=14.90 SMPMAX-BULLET				
ANGULAR TOL ± °									
4 PLACES	±	EC NO: 668669			PRODUCT CUSTOMER DRAWING				
3 PLACES	±	DRWN: RYEH 2021/06/28							
2 PLACES	± 0.13	CHK'D: YCHENG 2021/07/02			DOCUMENT NUMBER 734205930				
1 PLACE	± 0.25	APPR: YCHENG 2021/07/02							
0 PLACES	± 0.38	INITIAL REVISION:			DOC TYPE DOC PART REVISION PSD 000 A2				
		DRWN: RYEH 2017/06/15							
DRAFT WHERE APPLICABLE MUST REMAIN WITHIN DIMENSIONS		THIRD ANGLE PROJECTION	DRAWING	SERIES	MATERIAL NUMBER	CUSTOMER	SHEET NUMBER		
			C-SIZE	73420	SEE TABLE		1 OF 2		

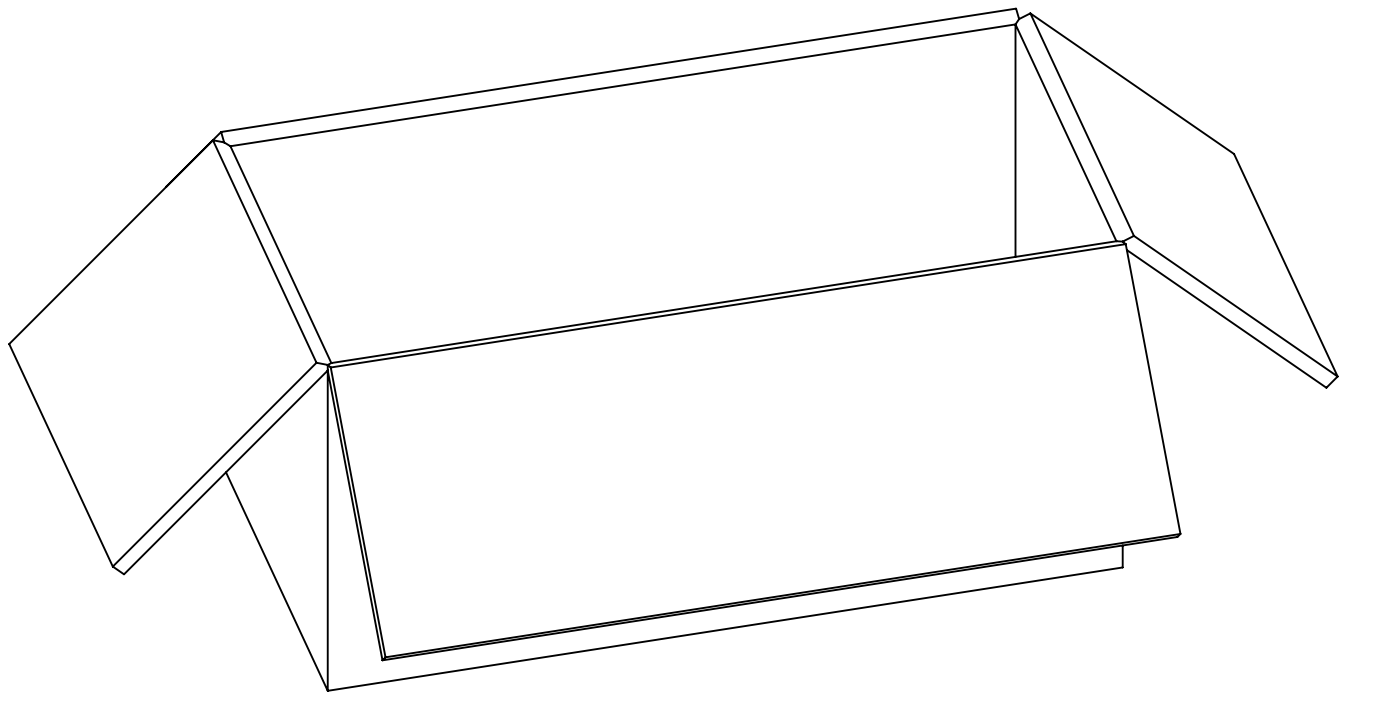
DOCUMENT STATUS	P1	RELEASE DATE	2021/07/02	03:53:51
-----------------	----	--------------	------------	----------



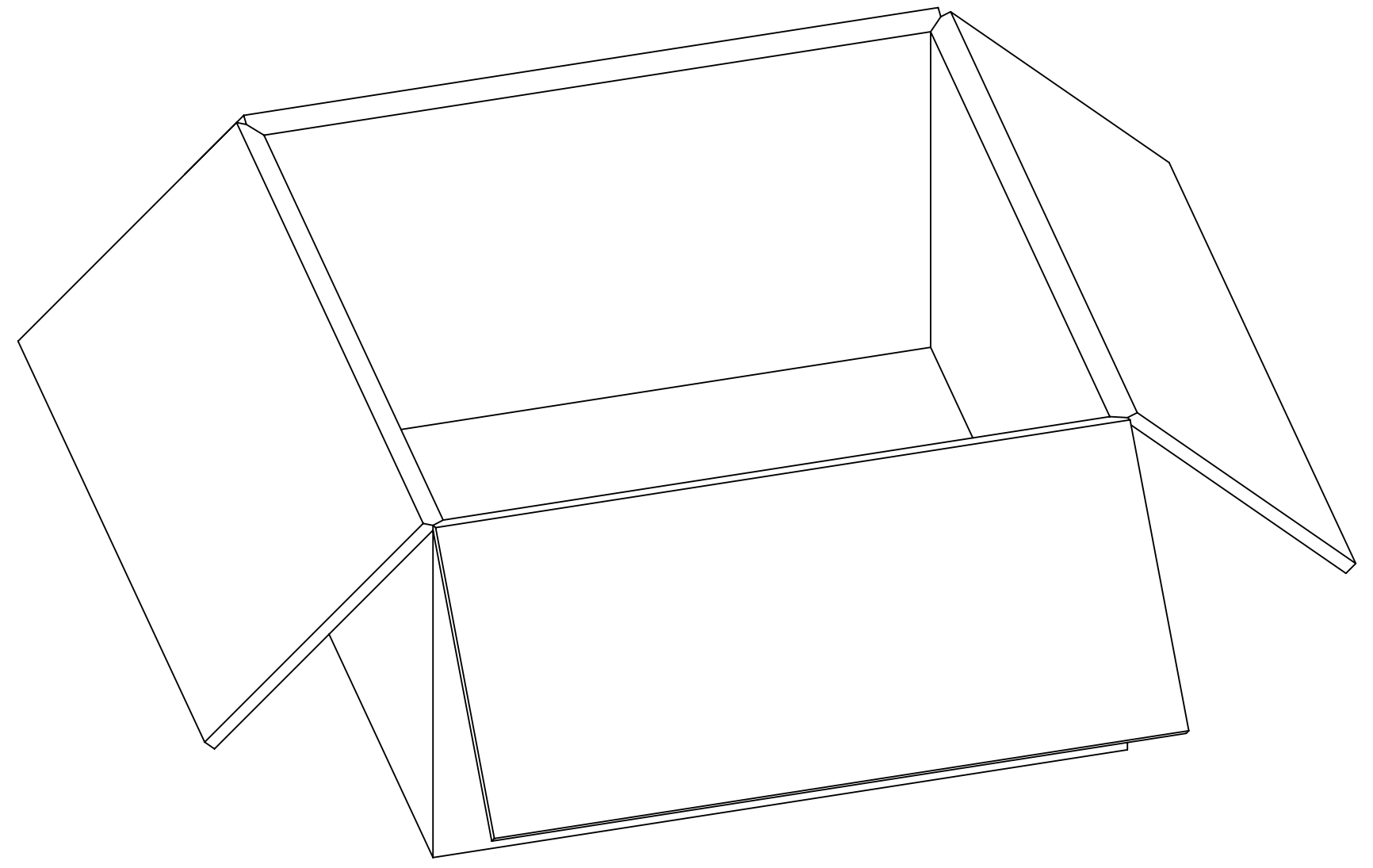
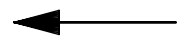
p/n: 73420-5930



80 SETS PER TRAY
P/N: 89707-0190



1600 SETS PER INNER
CARTON BOX
P/N: 96707-0001



3200 SETS PER OUTER
CARTON BOX
P/N: 96708-0005

THIS DRAWING CONTAINS INFORMATION THAT IS PROPRIETARY TO MOLEX ELECTRONIC TECHNOLOGIES, LLC AND SHOULD NOT BE USED WITHOUT WRITTEN PERMISSION									
DIMENSION UNITS		SCALE		CURRENT REV DESC: UPDATE DOCUMENT TYPE FROM RSD TO PSD PER EWR #14636-A				molex	
mm		NTS							
GENERAL TOLERANCES (UNLESS SPECIFIED)								SMP-MAX EVO2 JJJ BULLET L=14.90 SMPMAX-BULLET	
ANGULAR TOL ± °				EC NO: 668669				PRODUCT CUSTOMER DRAWING	
4 PLACES ±				DRWN: RYEH 2021/06/28				DOCUMENT NUMBER	
3 PLACES ±				CHK'D: YCHENG 2021/07/02				734205930	
2 PLACES ± 0.13				APPR: YCHENG 2021/07/02				DOC TYPE	
1 PLACE ± 0.25				INITIAL REVISION:				DOC PART	
0 PLACES ± 0.38				DRWN: RYEH 2021/06/15				REVISION	
				APPR: YCHENG 2021/12/25				A2	
DRAFT WHERE APPLICABLE MUST REMAIN WITHIN DIMENSIONS				THIRD ANGLE PROJECTION		DRAWING		SHEET NUMBER	
						C-SIZE		2 OF 2	
				SERIES		MATERIAL NUMBER		CUSTOMER	
				73420		SEE TABLE			

DOCUMENT STATUS	P1	RELEASE DATE	2021/07/02	03:53:51
-----------------	----	--------------	------------	----------