

MATERIALS AND FINISHES

HOUSING BRASS
PLATED GOLD

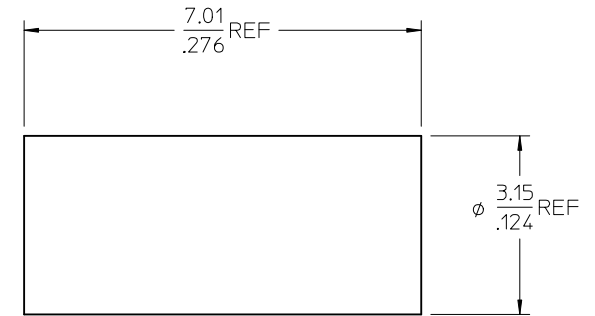
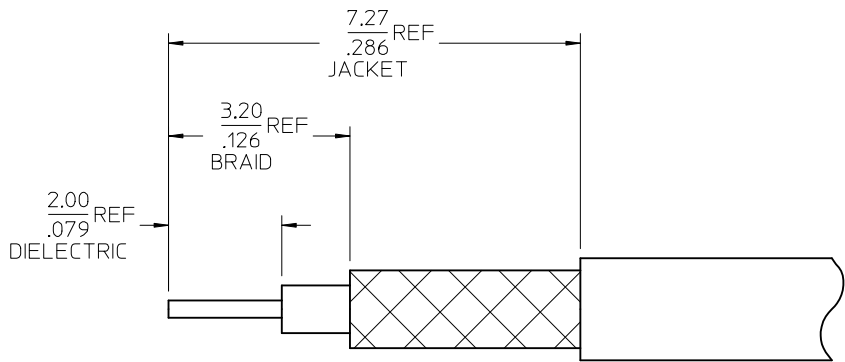
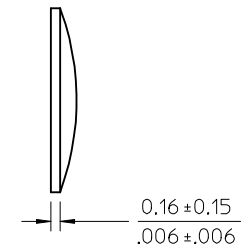
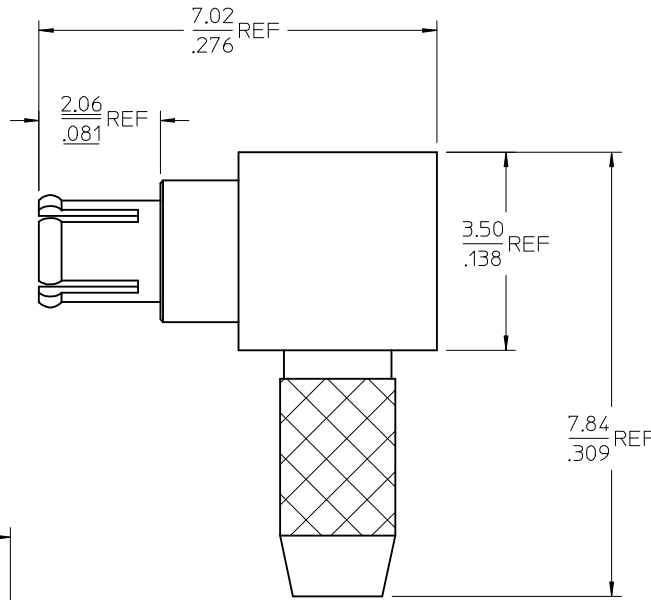
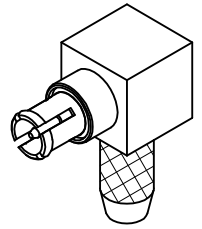
CENTER CONTACT BRASS
PLATED GOLD

CAP BRASS
PLATED GOLD

OUTER CONTACT BERYLLIUM COPPER
PLATED GOLD

TUBE BRASS
PLATED GOLD

INSULATOR TEFLON



RECOMMENDED STRIPPING
DIMENSIONS

CRIMP HEX SIZE .105 INCH

CHG: ADDED 7.01 REF. Ø3.15 REF AND STRIPPING DIMENSION	EC NO: URF2007-0270	2007/01/10
DRW:SSSHAH	CHKD:FLAHERY	2007/01/10
APPR:WIENER		2007/01/10
REV	DESCRIPTION	
A2		

QUALITY SYMBOLS
▽=0
▽=0

GENERAL TOLERANCES (UNLESS SPECIFIED)	
	mm INCH
4 PLACES	± .005 ± .0005
3 PLACES	± .005 ± .0005
2 PLACES	± 0.05 ± .002
1 PLACE	± 0.10 ± .004
ANGULAR ± 2 °	
DRAFT WHERE APPLICABLE MUST REMAIN WITHIN DIMENSIONS	

DIMENSION STYLE	
MM/IN	
DRAWN BY	DATE
JOHN	2005/03/30
CHECKED BY	DATE
JOHNSON	2005/03/30
APPROVED BY	DATE
MISEN	2005/03/30
MATERIAL NO.	
734130070	
SIZE	
C	

SCALE	DESIGN UNITS	THIRD ANGLE PROJECTION
	METRIC	
TITLE		
SSMCX PLUG, R/A, 50 OHM FOR RG178 CABLE SSMCX-PC/RA		
MOLEX INCORPORATED		SHEET NO.
SD-73413-007		1 OF 1
THIS DRAWING CONTAINS INFORMATION THAT IS PROPRIETARY TO MOLEX INCORPORATED AND SHOULD NOT BE USED WITHOUT WRITTEN PERMISSION		