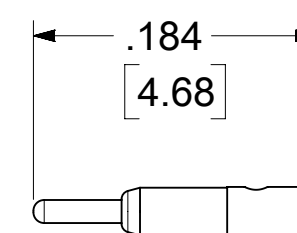
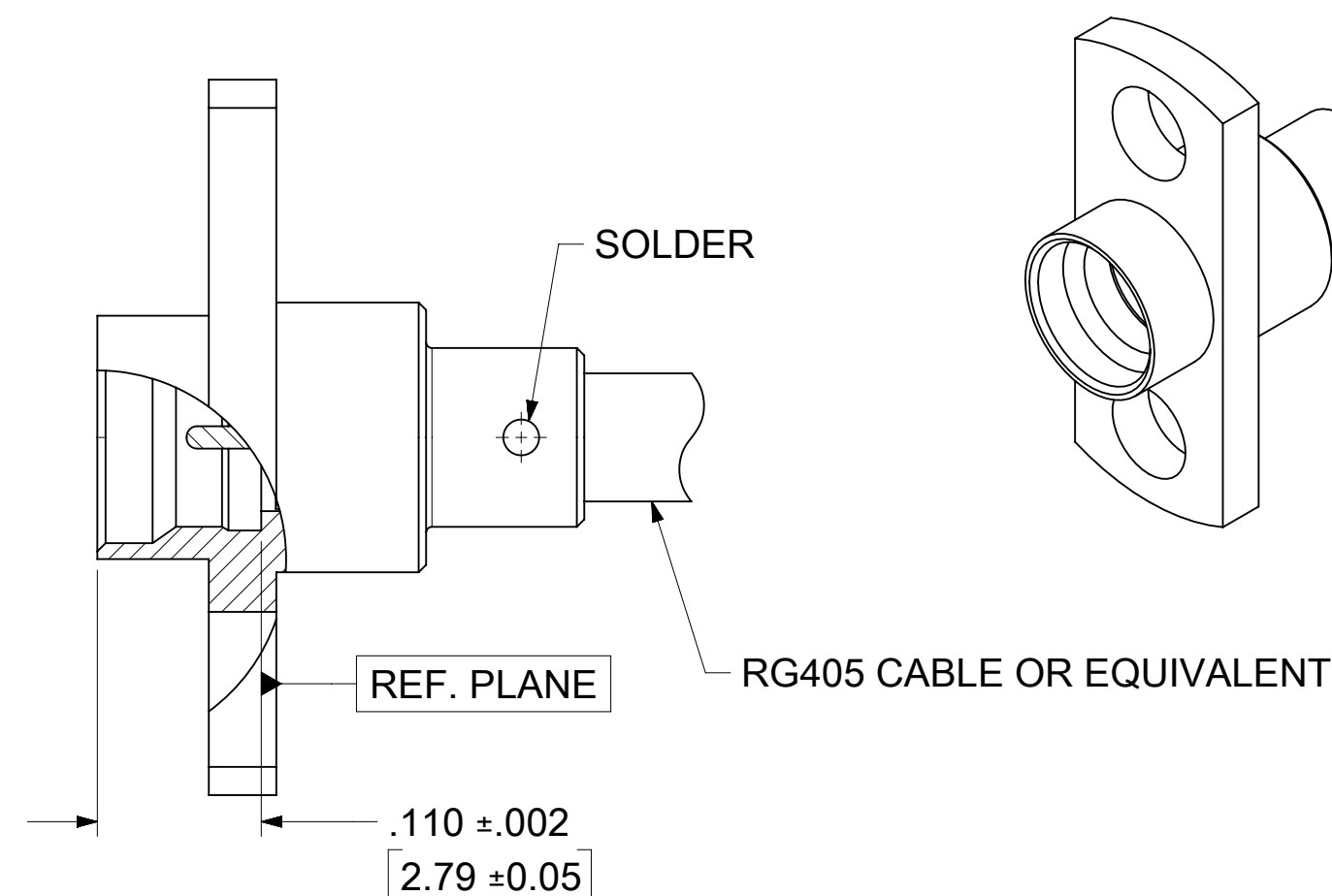
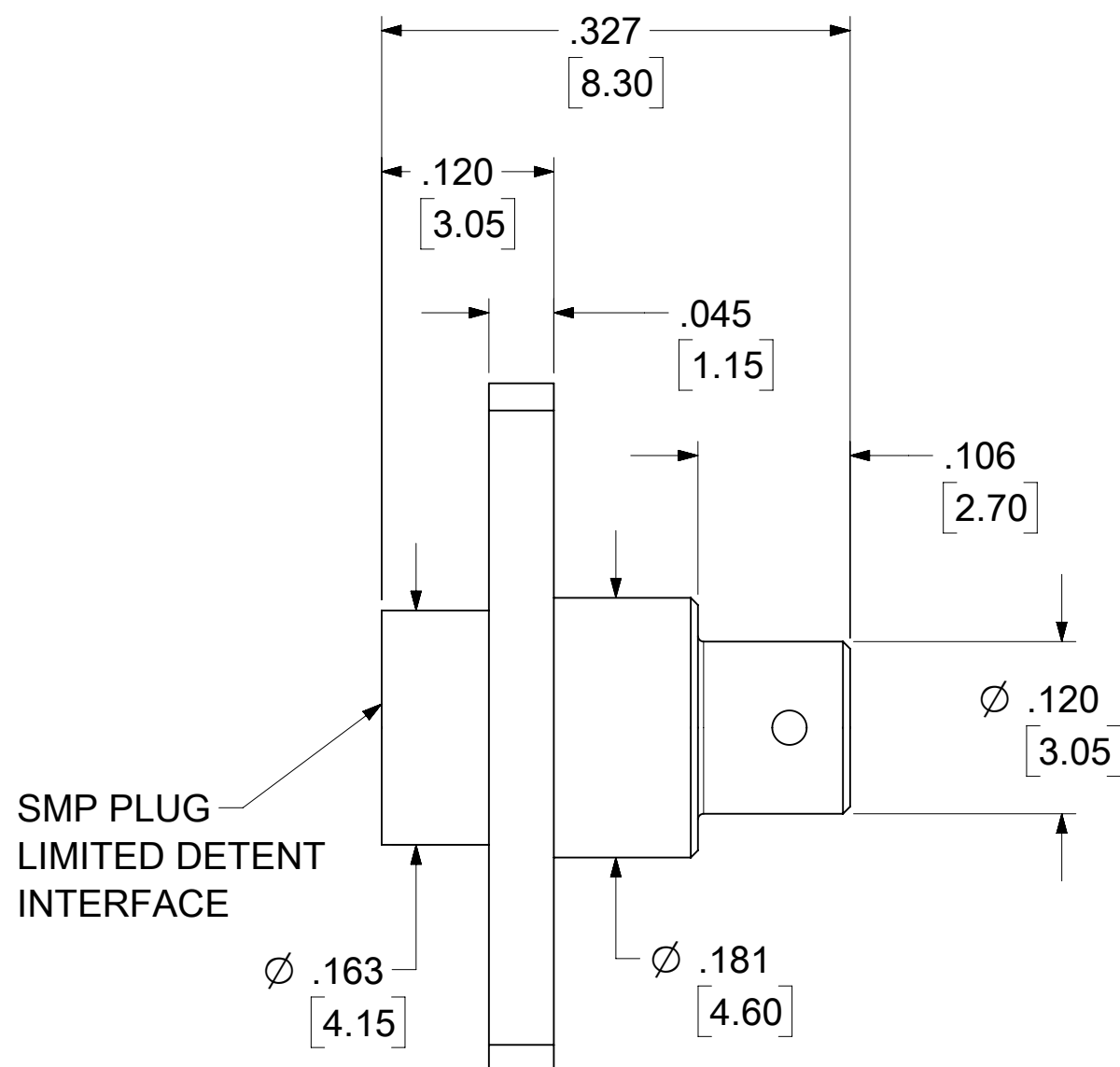
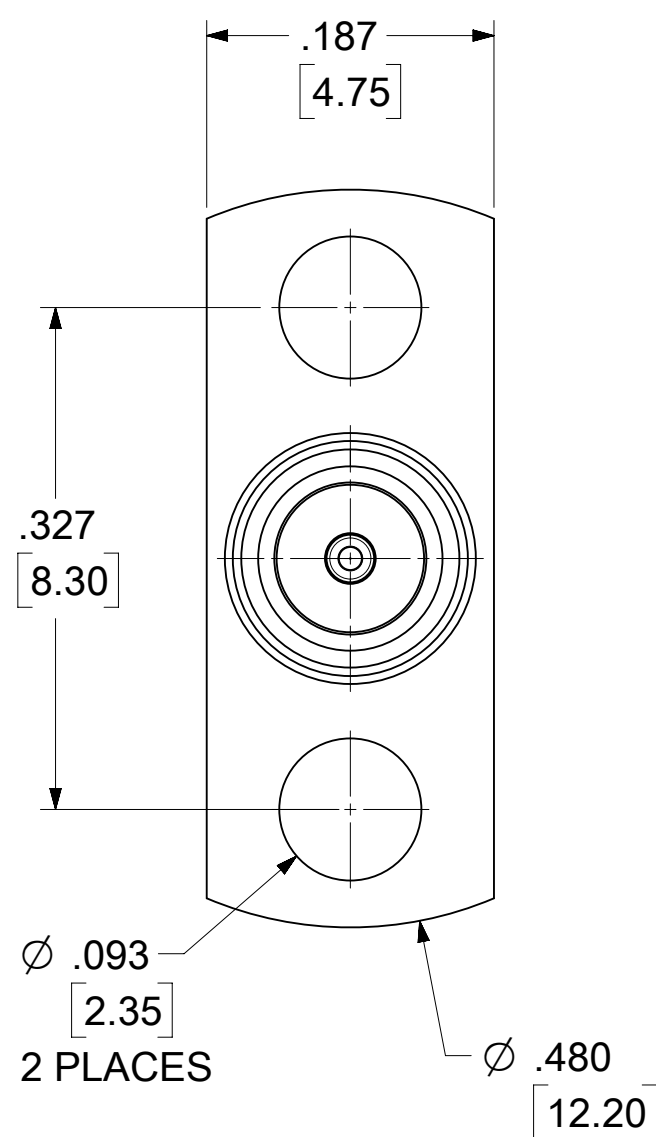


MATERIALS AND FINISHES:

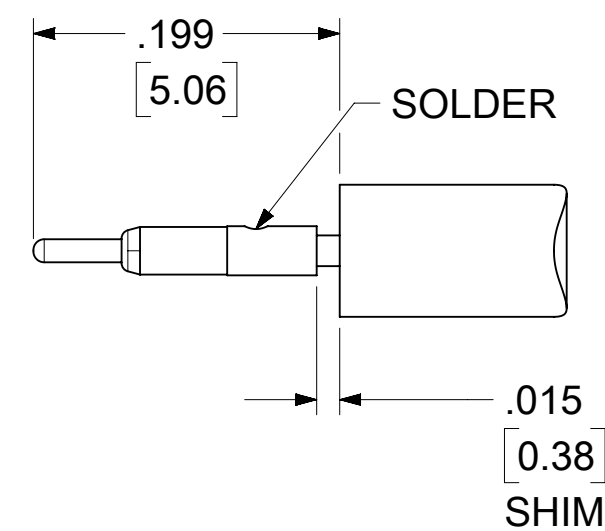
BODY: SEE TABLE
PLATED GOLD

CENTER CONTACT: BRASS
PLATED GOLD

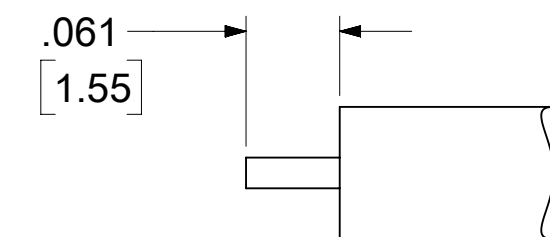
INSULATOR: TEFLON



CONTACT



SHIM



RECOMMENDED STRIP DIMENSIONS

73406-6213	BRASS	ONE PER BAG	895420470
73406-6212	STAINLESS STEEL	ONE PER BAG	895420470
73406-6211	BRASS	TRAY	895420063
73406-6210	STAINLESS STEEL	TRAY	895420063
PART NO.	BODY MATERIAL	PACKAGING	PACKING SPEC

LABEL WITH EACH BAG
FOR 73406-6212 & -6213

MOLEX P/N: 73406-6212
DATE: YYWW

MOLEX P/N: 73406-6213
DATE: YYWW

MIL-STD-348A, FIG. 326.3	INTERFACE
SPECIFICATION	DESCRIPTION

FUNCTIONAL SYMBOLS	THIS DRAWING CONTAINS INFORMATION THAT IS PROPRIETARY TO MOLEX ELECTRONIC TECHNOLOGIES, LLC AND SHOULD NOT BE USED WITHOUT WRITTEN PERMISSION			
	$\frac{F}{A} = 0$ $\frac{F}{C} = 0$ $\frac{F}{P} = 0$	DIMENSION UNITS: IN/MM SCALE: NTS		
DIVISIONAL SYMBOLS	GENERAL TOLERANCES (UNLESS SPECIFIED)		SMP PLUG LD RG405 2 HOLE FLANGE 50 OHMS SMP-PC, EWR-4244	
	ANGULAR TOL ± 2.0°		PRODUCT CUSTOMER DRAWING	
4 PLACES ±		INITIAL REVISION:		
3 PLACES ±		DRWN: JYL		
2 PLACES ±		2009/11/06		
1 PLACE ±		2010/02/18		
0 PLACES ±		APPR: JWIENER		
DRAFT WHERE APPLICABLE MUST REMAIN WITHIN DIMENSIONS		THIRD ANGLE PROJECTION	DRAWING	SERIES
			C-SIZE	73406
DOCUMENT STATUS		DOCUMENT NUMBER	DOC TYPE	DOC PART
P1	RELEASE DATE	SD-73406-621	PSD	001
2022/08/23	12:44:03			
		CUSTOMER	SHEET NUMBER	
		GENERAL MARKET	1 OF 1	