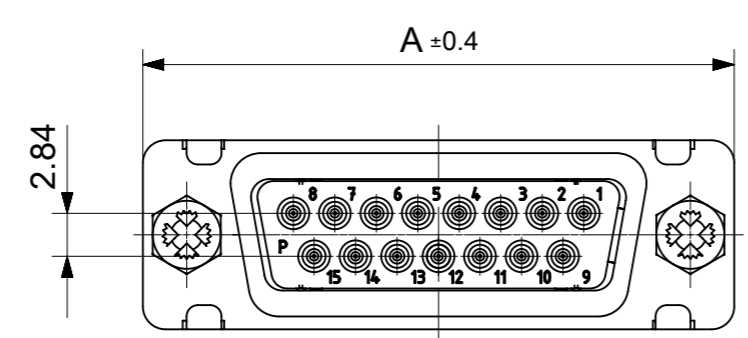
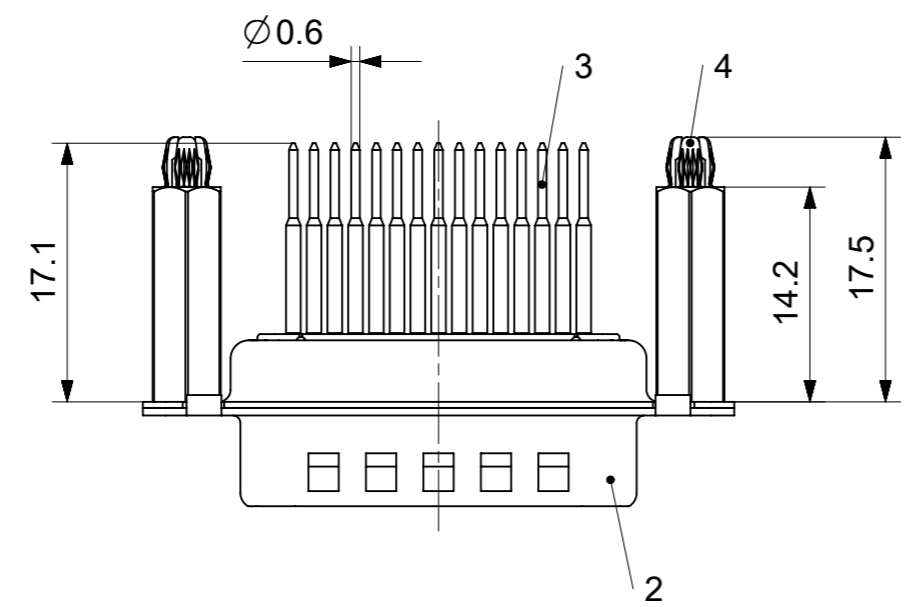
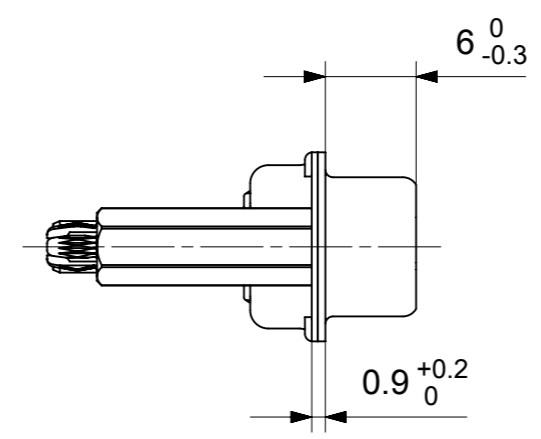
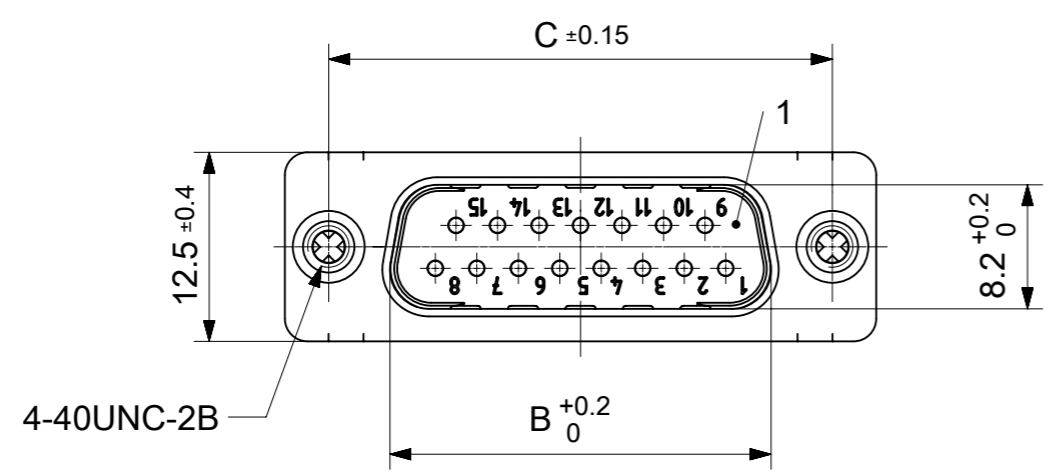


RoHS compliant
by exemption



FCT Part number:

Fxx*1)P80G1-1254

e.g. F15P80G1-1254

*1) xx No. of contacts 09, 15, 25 or 37

*2) y for performance classes 1, 2 or 3

(contact cycle for G1/G2/G3 = 500/200/50)

Material Number	xx*1)	y*2)	A[mm]	B[mm]	C[mm]	*E[mm]	*F[mm]
1731090283	09	G1	30.8	16.9	25	Ø1	Ø3
1731091299	15	G1	39.1	25.2	33.3		
1731091433	25	G1	53	38.9	47.04		
-	37	-	69.3	55.3	63.5		

*PCB hole patterns ØE, ØF see document 2195600023

No.	Pc.	Part	Type Description/Material	Surface plating/Color/Class
4	2	Snap-in bolt	PCB 1.6mm / Brass	tin plated
3	xx	Signal contact	P80 / Brass	G1
2	1	Shell	Steel	tin plated
1	1	Insulator	PBT (-55°C to +125°C) acc. UL94V-0	white

MEASUREMENTS WITHOUT TOLERANCE ACC TO ISO 2768-m REPLACEMENT FOR DOCUMENT NUMBER: FxxP80Gy-1254

FUNCTIONAL SYMBOLS		THIS DRAWING CONTAINS INFORMATION THAT IS PROPRIETARY TO MOLEX ELECTRONIC TECHNOLOGIES, LLC AND SHOULD NOT BE USED WITHOUT WRITTEN PERMISSION		<p>FCT D-SUB MINIATURE CONNECTOR</p>					
FA = 0	mm	SCALE	2:1			<p>PRODUCT CUSTOMER DRAWING</p>			
FE = 0	GENERAL TOLERANCES (UNLESS SPECIFIED)		EC NO: 712793					<p>DOCUMENT NUMBER: 1731090283</p>	
FA = 0	ANGULAR TOL ± °		DRWN: SUGEEB 2021/12/16						
DIVISIONAL SYMBOLS		CURRENT REV DESC:		<p>DRWN: SUGEEB 2022/07/04</p>					
4 PLACES ±		3 PLACES ±		<p>DRWN: SUGEEB 2021/12/16</p>					
3 PLACES ±		2 PLACES ±		<p>DRWN: SUGEEB 2022/07/04</p>					
2 PLACES ±		1 PLACE ±		<p>DRWN: SUGEEB 2021/12/16</p>					
1 PLACE ±		0 PLACES ±		<p>DRWN: SUGEEB 2022/07/04</p>					
0 PLACES ±		DRAFT WHERE APPLICABLE MUST REMAIN WITHIN DIMENSIONS		<p>DRWN: SUGEEB 2022/07/04</p>					
FIRST ANGLE PROJECTION		DRAWING		<p>SHEET NUMBER: 1 OF 1</p>					
DRAWING		SERIES		<p>GENERAL MARKET</p>					
A3-SIZE		173109		<p>SEE TABLE</p>					

