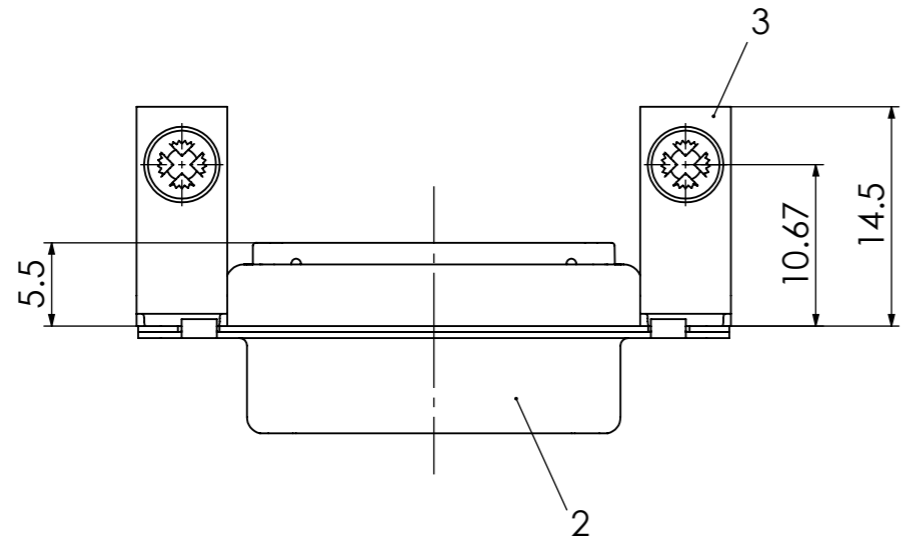
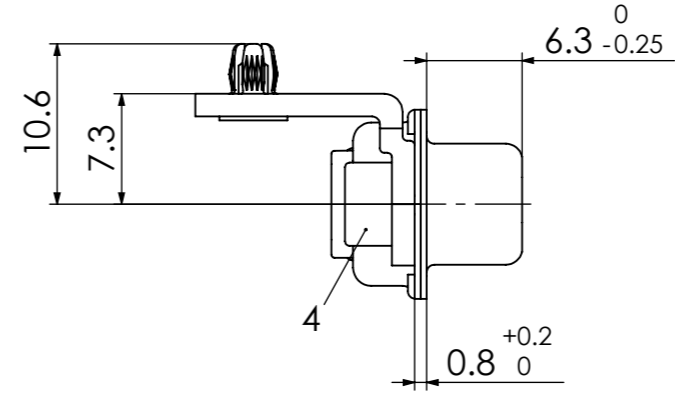
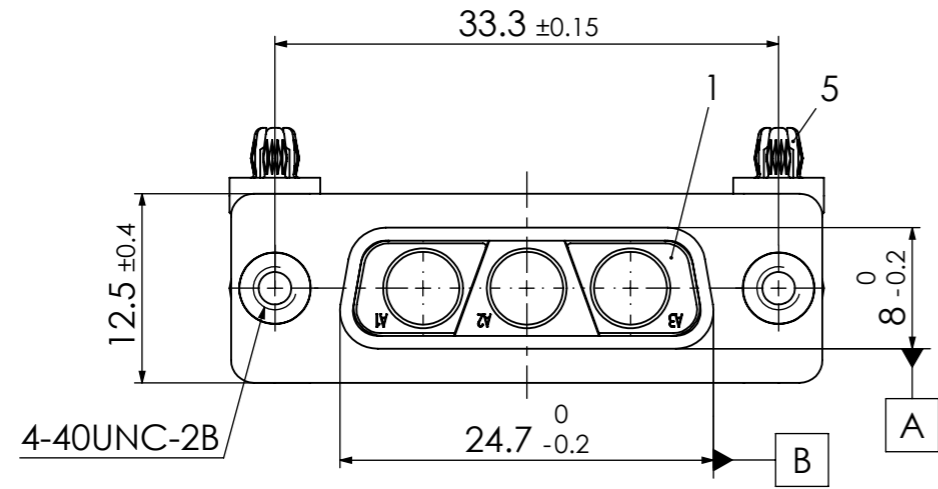
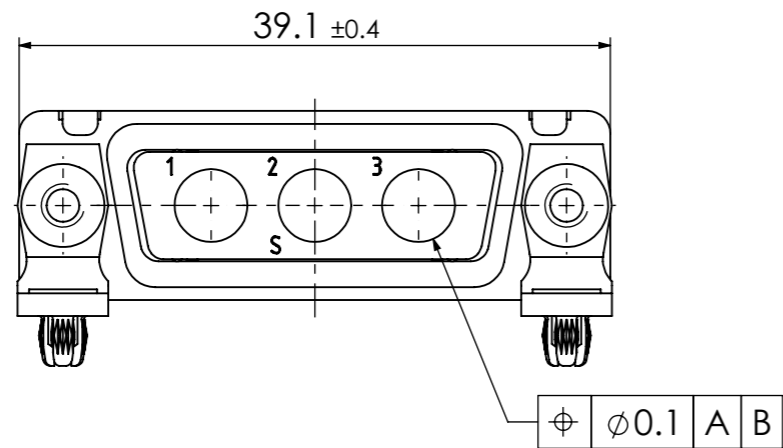
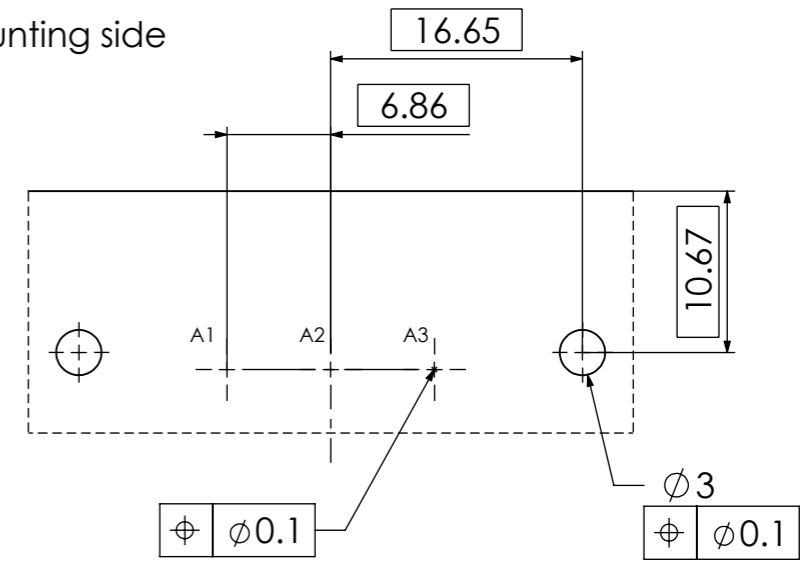


RoHS compliant
by exemption



PCB hole pattern, mounting side



No.	St.	Part	Type Description/Material	Surface plating/Colour/Class
5	2	Snap-in rivet	PCB 1.6mm / Brass	tin plated
4	2	Clinch nut	MW 4-40 / Steel	tin plated
3	2	Bracket	F1080-13B / Steel	tin plated
2	1	Shell	Steel	tin plated
1	1	Insulator	PBT (-55°C to +130°C) acc. UL94V-0	black

FUNCTIONAL SYMBOLS					THIS DRAWING CONTAINS INFORMATION THAT IS PROPRIETARY TO MOLEX ELECTRONIC TECHNOLOGIES, LLC AND SHOULD NOT BE USED WITHOUT WRITTEN PERMISSION					
▽ = 0	▽ = 0	▽ = 0	DIMENSION UNITS	SCALE	MEASUREMENTS WITHOUT TOLERANCE ACC. TO ISO 2768-m					
			mm	2:1	molex FCT D-Sub Mixed-Layout Connector					
					CURRENT REVISION					
					DRWN: DRAWN BY	msteinbrueck	21-09-2023	PRODUCT CUSTOMER DRAWING MATERIAL NUMBER 1731070297		
					APPR: APPR BY	mteubel	29-11-2023			
					INITIAL REVISION					
					DRWN: DRAWN BY	Denzinger	28-01-2005	REVISION 2		
					APPR: APPR BY	aschiekofer	28-01-2005			
					REV.	CH.-NO.		DOCUMENT NUMBER F3W3SC-1002		
					REPLACEMENT FOR:	FRIST ANGLE PROJECTION	DRAWING	CUSTOMER		SHEET NUMBER
					1731070297_Rev. A1		A3-SIZE	GENERAL MARKET		1 OF 1

COMMENT: ALL RIGHTS ARE RESERVED BY US FOR THIS DRAWING. WITHOUT OUR PRIOR CONSENT, IT MAY NEITHER BE DUPLICATED NOR MADE AVAILABLE TO A THIRD PARTY. AND IT ALSO MAY NOT BE IMPROPERLY USED BY THE RECEIVER, OR A THIRD PARTY.