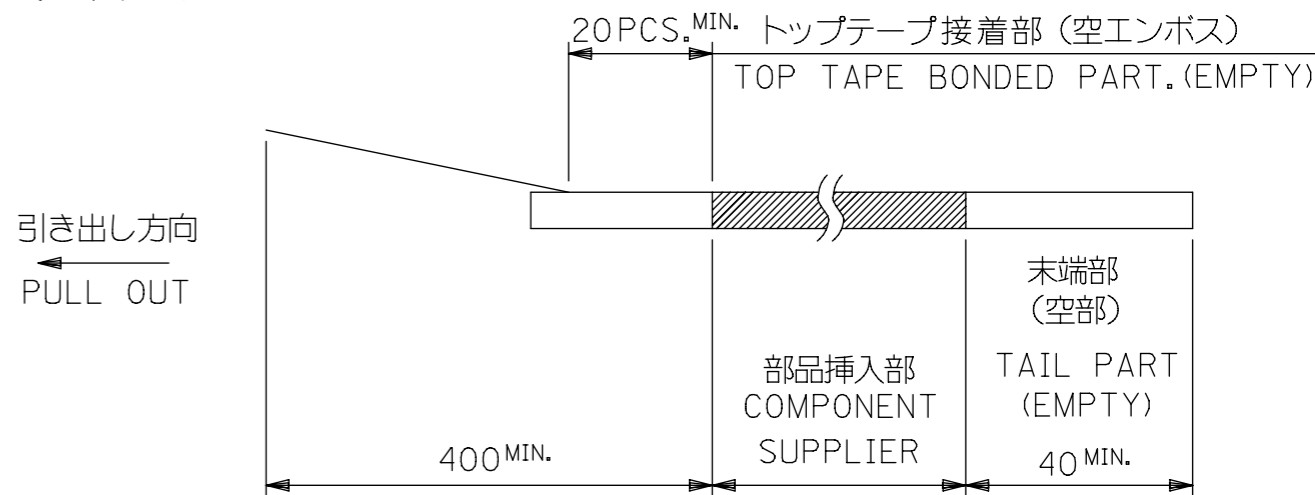


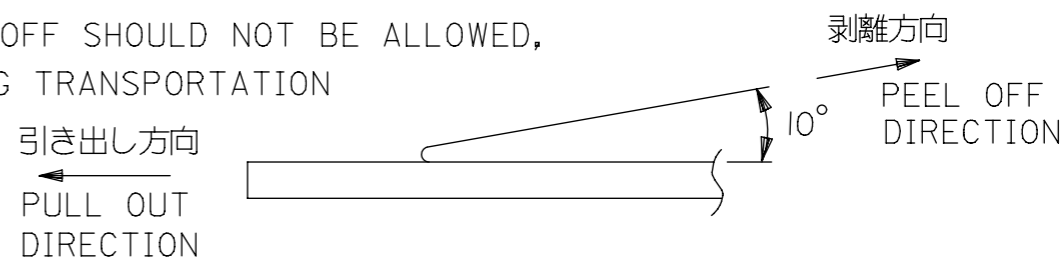
注記 NOTES

- 製品番号 52559-**-19 の梱包状態はアクチュエータがロックした状態とする。
IN THE PACKAGE, ACTUATOR OF PART NO.52559-**-19 SHOULD BE LOCKED
- 梱包数量：1000個/リール
NUMBER OF CONNECTORS:1000PCS/REEL
- リードテープ長さ LEAD TAPE LENGTH



- トップテープの剥離強度：(剥離方向は下図参照)
0.1~1.3N {10gf~130gf} 尚、本規格値は、出荷時に適用。
(但し、輸送時に剥離が発生しない事。)

PEELING OFF FORCE OF TOP TAPE
0.1~1.3N(10gf~130gf)(PEELING DIRECTION AS SHOWN IN FOLLOWING FIG.)
THIS REQUIREMENT SHOULD BE APPLIED AT SHIPMENT
PEEL OFF SHOULD NOT BE ALLOWED,
DURING TRANSPORTATION



- 材料
キャリアテープ：ポリプロピレン (PP)
トップテープ：PET, PE, PEF
リール：ポリスチレン (PS) <リサイクル材を含む>

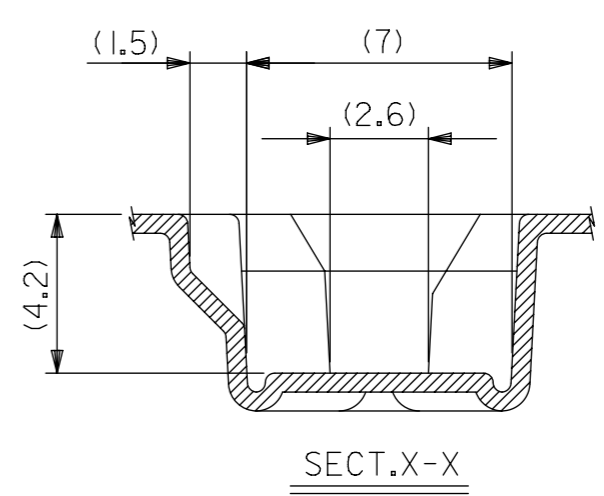
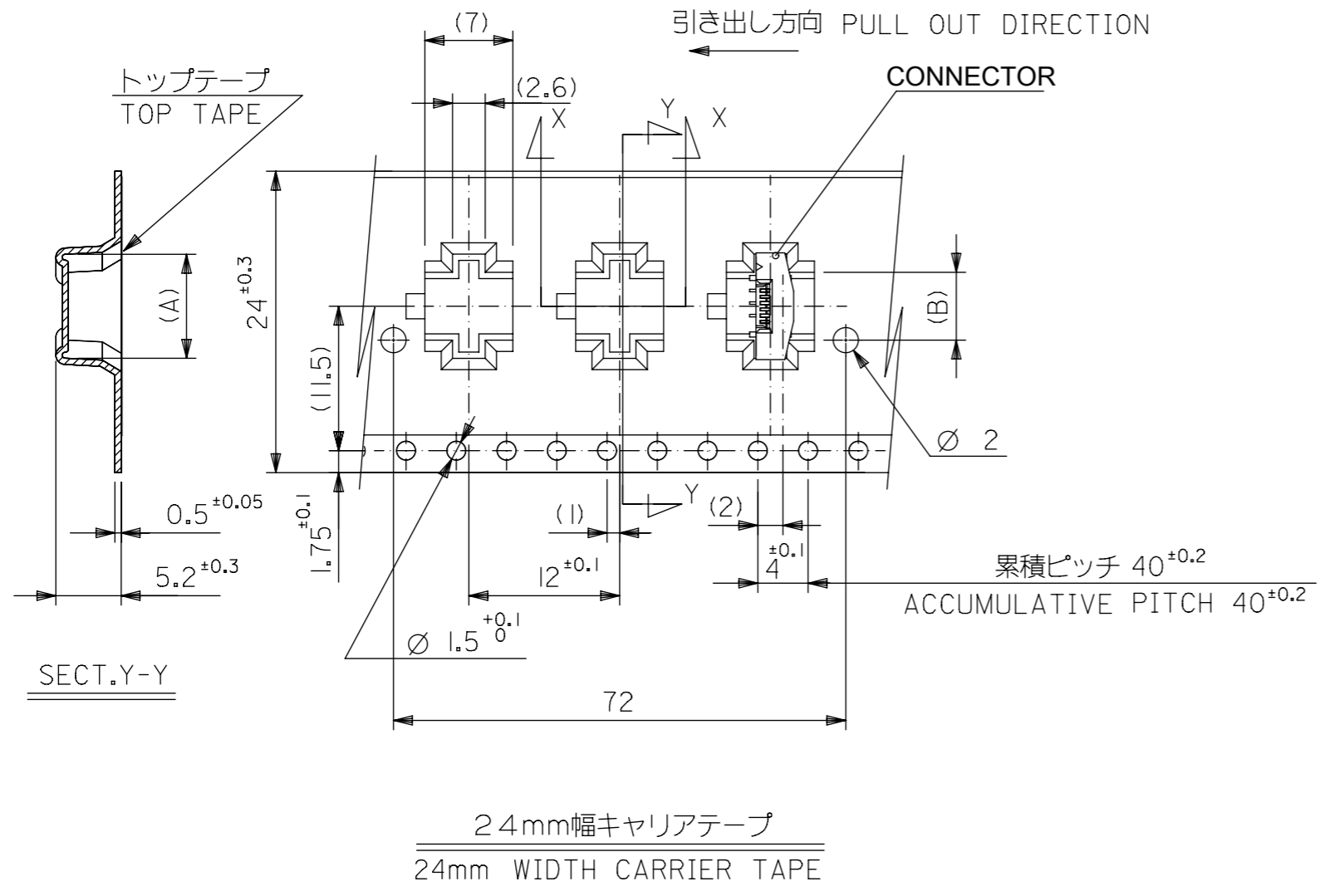
MATERIAL CARRIER TAPE:POLYPROPYLENE
TOP TAPE:PET,PE,PEF
REEL:POLYSTYREN(PS)
<RECYCLE MATERIAL CONTAINED>

- 本製品は 52559-**-92の鉛フリー品である。
THIS PRODUCT IS LEAD FREE OF 52559-**-92

- 本製品は乾燥剤入り、ハイバリア梱包仕様である。
THIS PRODUCT IS HIGH BARRIER PACKAGE WITH DESICCANT.

THIS DRAWING CONTAINS INFORMATION THAT IS PROPRIETARY TO MOLEX ELECTRONIC TECHNOLOGIES, LLC AND SHOULD NOT BE USED WITHOUT WRITTEN PERMISSION		CURRENT REV DESC:		molex	
DIMENSION UNITS	SCALE				
mm	NTS			0.5 FPC CONN ASSY ZIF SMT ST EMBSTP PKG -LEAD FREE-	
GENERAL TOLERANCES (UNLESS SPECIFIED)		EC NO: 745355		PRODUCT CUSTOMER DRAWING	
ANGULAR TOL ± °		DRWN: RAJMOK 2023/04/05		DOCUMENT NUMBER	
4 PLACES ±		CHK'D: HSHIMOYAMA 2023/04/07		SD-52559-028	
3 PLACES ±		APPR: HSHIMOYAMA 2023/04/07		DOC TYPE	
2 PLACES ±		INITIAL REVISION:		PSD	
1 PLACE ±		DRWN: HSHIMABUKURO 2004/01/07		DOC PART	
0 PLACES ±		APPR: MSASAO 2004/01/08		001	
DRAFT WHERE APPLICABLE MUST REMAIN WITHIN DIMENSIONS		THIRD ANGLE PROJECTION	DRAWING	SERIES	SHEET NUMBER
			A3-SIZE	52559	1 OF 6

GENERAL TOLERANCES (UNLESS SPECIFIED)	
10 ^{UNDER}	±0.2
10 ^{OVER} 30 ^{UNDER}	±0.25
30 ^{OVER}	±0.3
ANGULAR	±3°

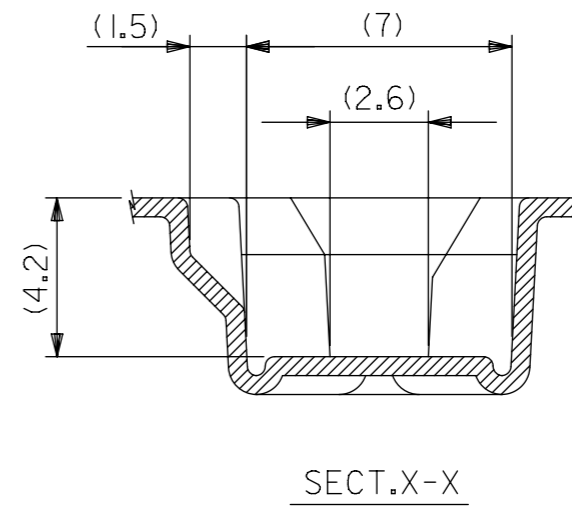
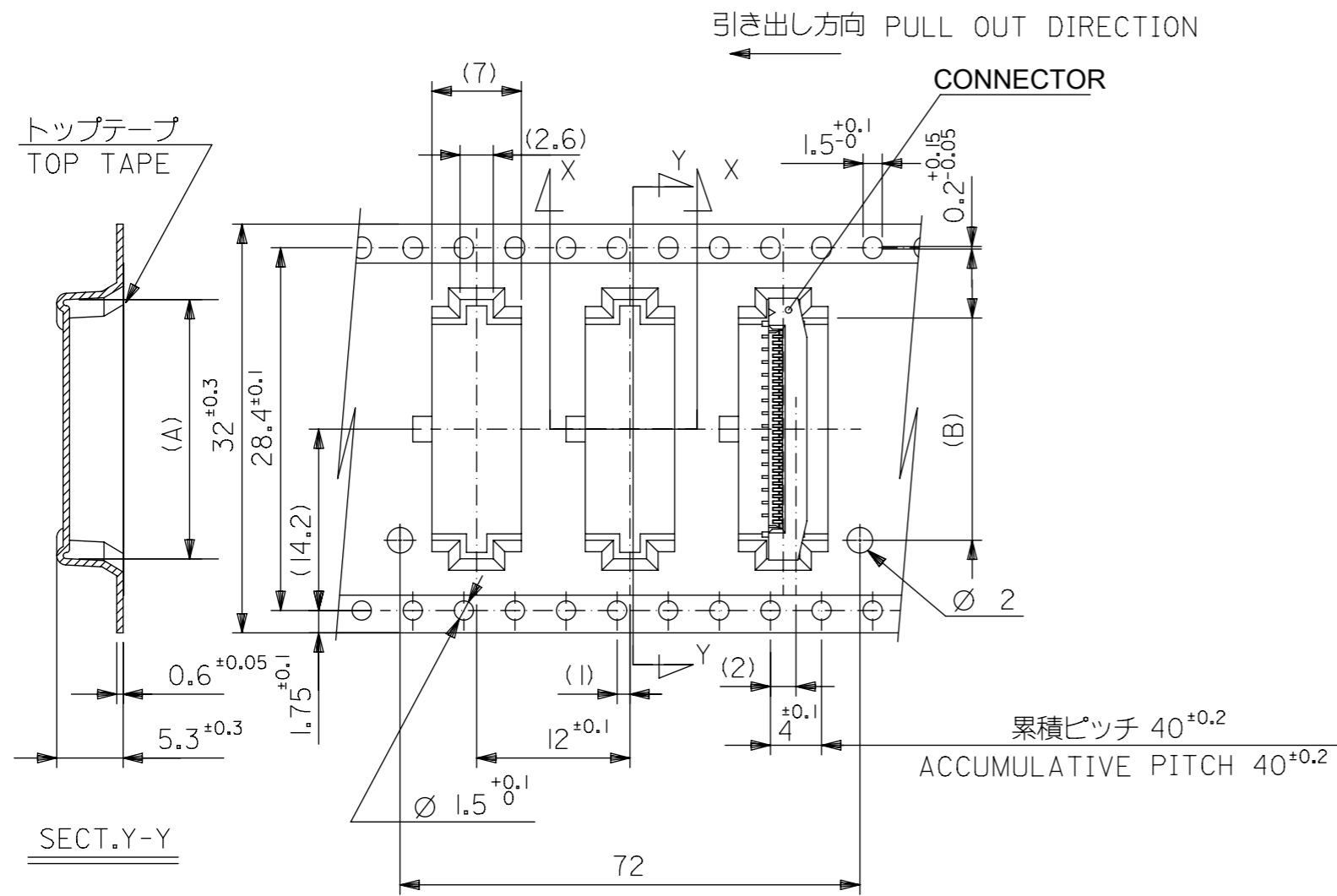


24	29.4	25.4	14.4	17.3	52559-2472	24		
			13.9	16.8	52559-2372	23		
			12.9	15.8	52559-2172	21		
			12.4	15.3	52559-2072	20		
			10.9	13.8	52559-1772	17		
			10.4	13.3	52559-1672	16		
			9.9	12.8	52559-1572	15		
			9.4	12.3	52559-1472	14		
			8.4	11.3	52559-1272	12		
			7.4	10.3	52559-1072	10		
			6.9	9.8	52559-0972	9		
			5.4	8.3	52559-0672	6		
キャリアテープ幅 CARRIER TAPE WIDTH			D	C	(B)	(A)	MATERIAL NO.	CIRCUIT NO.

THIS DRAWING CONTAINS INFORMATION THAT IS PROPRIETARY TO MOLEX ELECTRONIC TECHNOLOGIES, LLC AND SHOULD NOT BE USED WITHOUT WRITTEN PERMISSION

DIMENSION UNITS	SCALE	CURRENT REV DESC:	
mm	NTS		
GENERAL TOLERANCES (UNLESS SPECIFIED)		molex	
ANGULAR TOL ± °		0.5 FPC CONN ASSY ZIF SMT ST EMBSTP PKG -LEAD FREE-	
4 PLACES ±		PRODUCT CUSTOMER DRAWING	
3 PLACES ±		DOCUMENT NUMBER	
2 PLACES ±		SD-52559-028	
1 PLACE ±		DOC TYPE	
0 PLACES ±		PSD	
DRAFT WHERE APPLICABLE MUST REMAIN WITHIN DIMENSIONS		DOC PART	
THIRD ANGLE PROJECTION		001	
DRAWING		REVISION	
A3-SIZE		D	
SERIES		SHEET NUMBER	
52559		2 OF 6	
MATERIAL NUMBER		CUSTOMER	
SEE TABLE		GENERAL MARKET	

GENERAL TOLERANCES (UNLESS SPECIFIED)	
10 ^{UNDER}	±0.2
10 ^{OVER} 30 ^{UNDER}	±0.25
30 ^{OVER}	±0.3
ANGULAR	±3 °



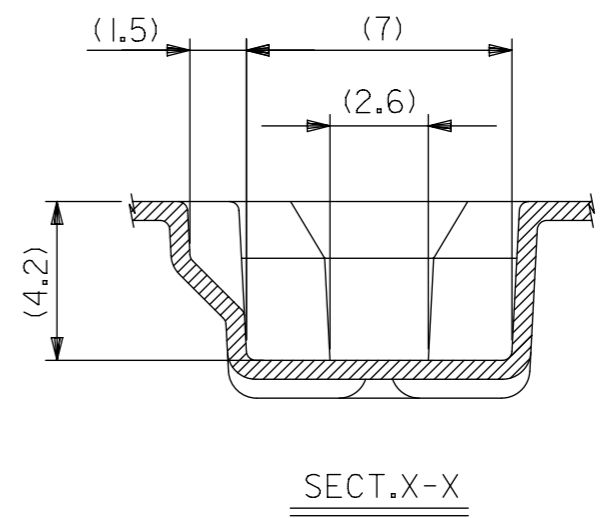
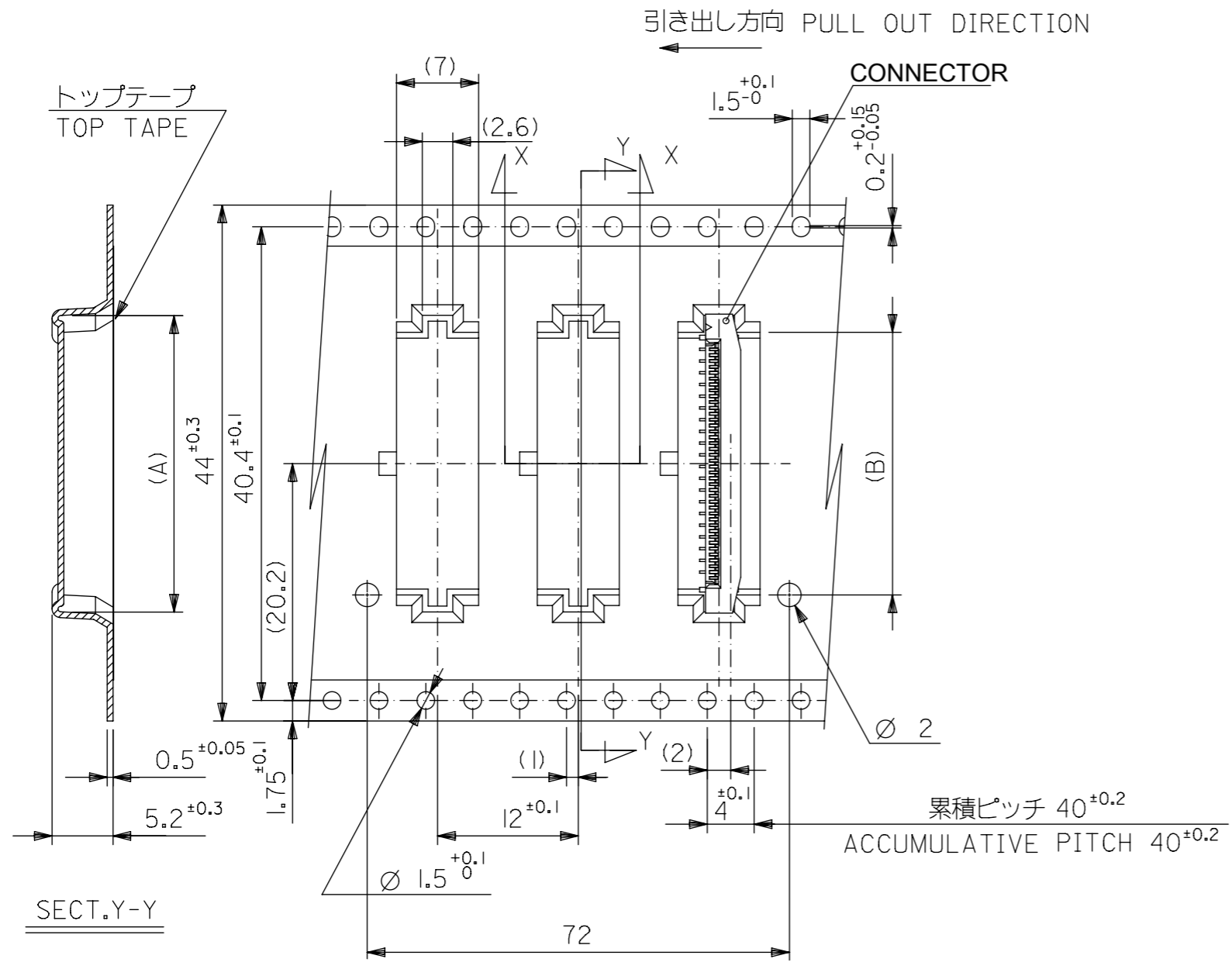
32mm幅キャリアテープ
32mm WIDTH CARRIER TAPE

32	37.4	33.4	18.4	21.3	52559-3272	32
			17.4	20.3	52559-3072	30
			16.4	19.3	52559-2872	28
			15.9	18.8	52559-2772	27
			15.4	18.3	52559-2672	26
キャリアテープ幅 CARRIER TAPE WIDTH	D	C	(B)	(A)	MATERIAL NO.	CIRCUIT NO.

THIS DRAWING CONTAINS INFORMATION THAT IS PROPRIETARY TO MOLEX ELECTRONIC TECHNOLOGIES, LLC AND SHOULD NOT BE USED WITHOUT WRITTEN PERMISSION

DIMENSION UNITS: mm		SCALE: NTS		CURRENT REV DESC:		
molex						
0.5 FPC CONN ASSY ZIF SMT ST EMBSTP PKG - LEAD FREE-						
PRODUCT CUSTOMER DRAWING						
GENERAL TOLERANCES (UNLESS SPECIFIED)			DOCUMENT NUMBER		DOC TYPE	DOC PART REVISION
ANGULAR TOL ± °			SD-52559-028		PSD	001 D
4 PLACES ±			MATERIAL NUMBER		CUSTOMER	
3 PLACES ±			SEE TABLE		GENERAL MARKET	
2 PLACES ±			SERIES		SHEET NUMBER	
1 PLACE ±			A3-SIZE		52559	
0 PLACES ±			DRAWING		3 OF 6	
DRAFT WHERE APPLICABLE MUST REMAIN WITHIN DIMENSIONS			THIRD ANGLE PROJECTION		DRAWING	
			SERIES		MATERIAL NUMBER	
			52559		CUSTOMER	
			DRAWING		GENERAL MARKET	
			A3-SIZE		SHEET NUMBER	
			52559		3 OF 6	

GENERAL TOLERANCES (UNLESS SPECIFIED)	
10 ^{UNDER}	±0.2
10 ^{OVER} 30 ^{UNDER}	±0.25
30 ^{OVER}	±0.3
ANGULAR	±3 °



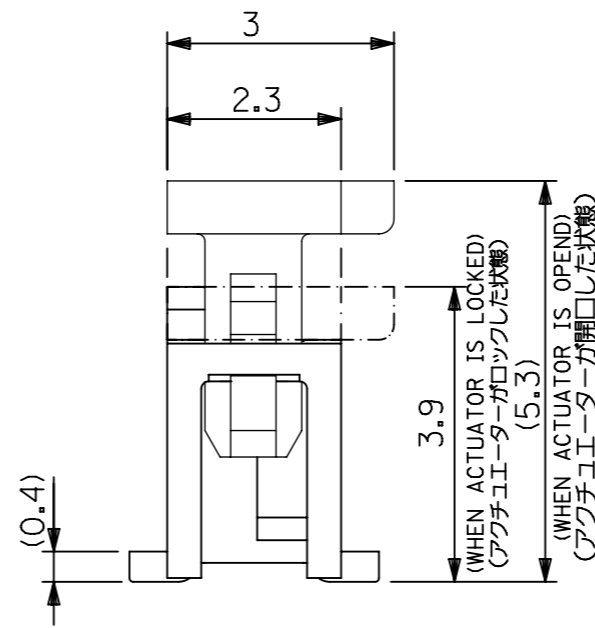
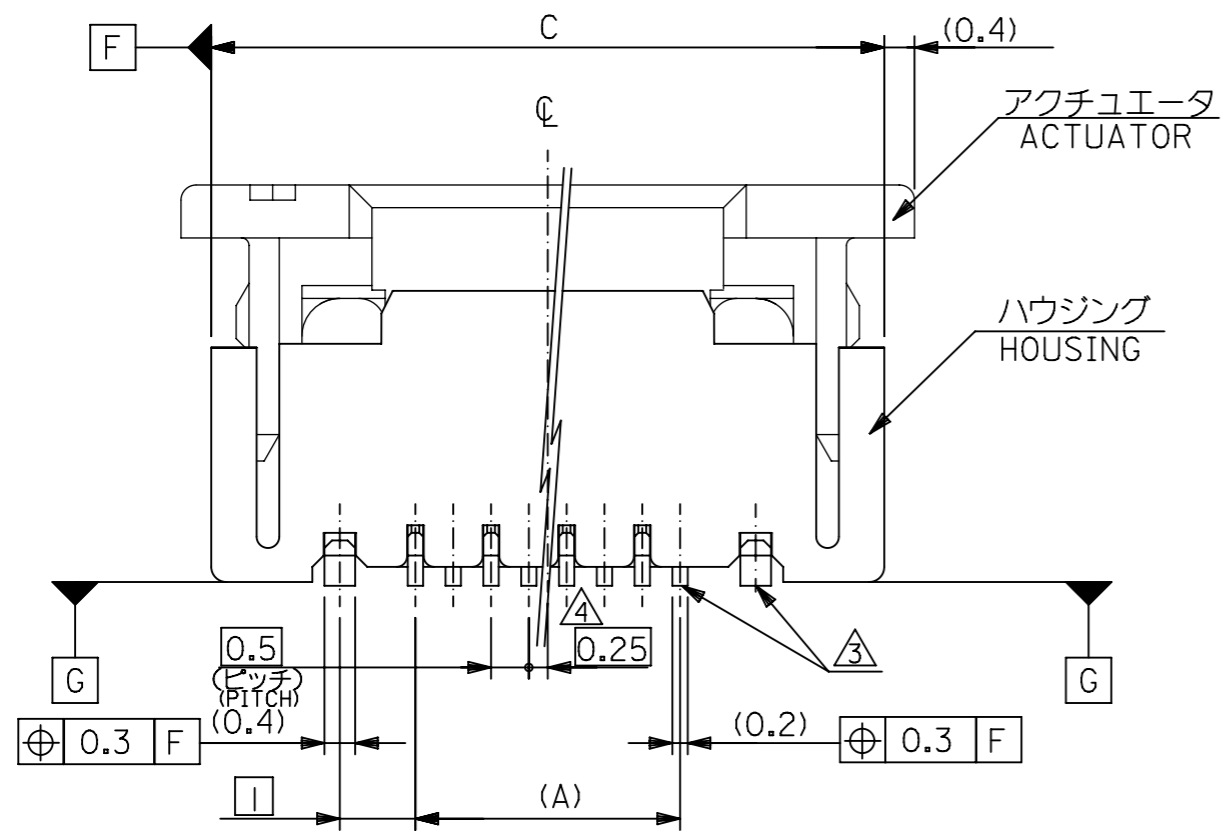
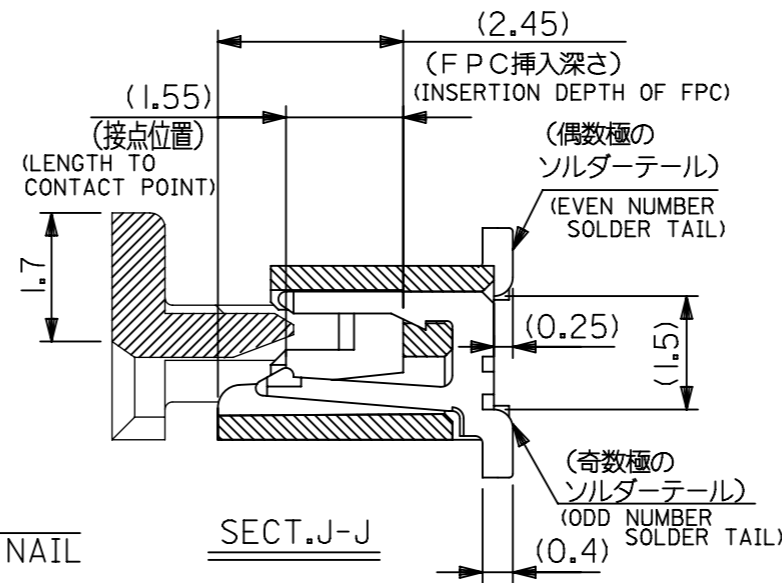
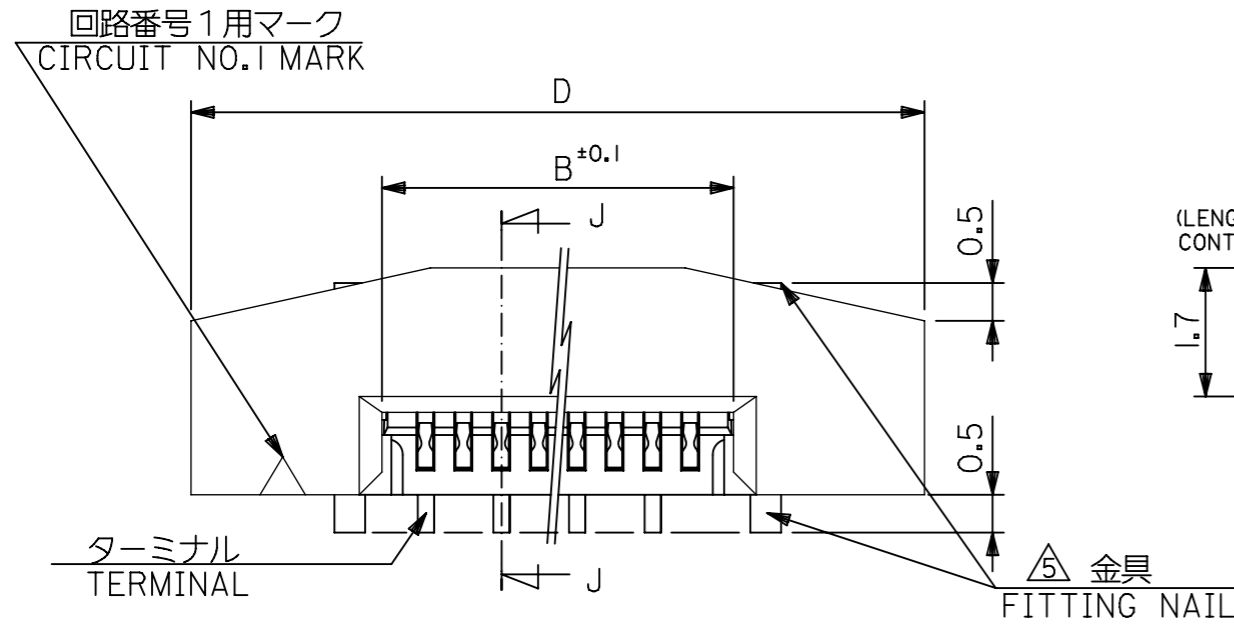
44mm幅キャリアテープ
44mm WIDTH CARRIER TAPE

44	49.4	45.4	22.4	25.3	52559-4072	40
			20.4	23.3	52559-3672	36
キャリアテープ幅 CARRIER TAPE WIDTH	D	C	(B)	(A)	MATERIAL NO.	CIRCUIT NO.

THIS DRAWING CONTAINS INFORMATION THAT IS PROPRIETARY TO MOLEX ELECTRONIC TECHNOLOGIES, LLC AND SHOULD NOT BE USED WITHOUT WRITTEN PERMISSION

GENERAL TOLERANCES (UNLESS SPECIFIED)	
10 ^{UNDER}	±0.2
10 ^{OVER} 30 ^{UNDER}	±0.25
30 ^{OVER}	±0.3
ANGULAR	±3°

CURRENT REV DESC:		molex	
EC NO: 745355			
DRWN: RAJMOK		2023/04/05	
CHK'D: HSHIMOYAMA		2023/04/07	
APPR: HSHIMOYAMA		2023/04/07	
INITIAL REVISION:		PRODUCT CUSTOMER DRAWING	
DRWN: HSHIMABUKURO		DOCUMENT NUMBER	
APPR: MSASAO		SD-52559-028	
DRAFT WHERE APPLICABLE MUST REMAIN WITHIN DIMENSIONS		DOC TYPE	
THIRD ANGLE PROJECTION		PSD	
DRAWING		DOC PART	
A3-SIZE		001	
SERIES		REVISION	
52559		D	
MATERIAL NUMBER		SHEET NUMBER	
SEE TABLE		4 OF 6	
CUSTOMER			
GENERAL MARKET			



25.7	24.9	20.65	19.5	52559-4072	40
23.7	22.9	18.65	17.5	-3672	36
21.7	20.9	16.65	15.5	-3272	32
20.7	19.9	15.65	14.5	-3072	30
19.7	18.9	14.65	13.5	-2872	28
19.2	18.4	14.15	13.0	-2772	27
18.7	17.9	13.65	12.5	-2672	26
17.7	16.9	12.65	11.5	-2472	24
17.2	16.4	12.15	11.0	-2372	23
16.2	15.4	11.15	10.0	-2172	21
15.7	14.9	10.65	9.5	-2072	20
14.2	13.4	9.15	8.0	-1772	17
13.7	12.9	8.65	7.5	-1672	16
13.2	12.4	8.15	7.0	-1572	15
12.7	11.9	7.65	6.5	-1472	14
11.7	10.9	6.65	5.5	-1272	12
10.7	9.9	5.65	4.5	-1072	10
10.2	9.4	5.15	4.0	-0972	9
8.7	7.9	3.65	2.5	52559-0672	6
D	C	B	(A)	MATERIAL NO.	極数 (PKT)

THIS DRAWING CONTAINS INFORMATION THAT IS PROPRIETARY TO MOLEX ELECTRONIC TECHNOLOGIES, LLC AND SHOULD NOT BE USED WITHOUT WRITTEN PERMISSION

mm NTS

GENERAL TOLERANCES (UNLESS SPECIFIED)

ANGULAR TOL ± °

4 PLACES ±

3 PLACES ±

2 PLACES ±

1 PLACE ±

1 PLACES ±

DRAFT WHERE APPLICABLE MUST REMAIN WITHIN DIMENSIONS

THIRD ANGLE PROJECTION

DRAWING A3-SIZE

SERIES 52559

MATERIAL NUMBER SEE TABLE

CUSTOMER GENERAL MARKET

SHEET NUMBER 5 OF 6

EC NO: 745355

DRWN: RAJMOK 2023/04/05

CHK'D: HSHIMOYAMA 2023/04/07

APPR: HSHIMOYAMA 2023/04/07

INITIAL REVISION:

DRWN: HSHIMABUKURO 2004/01/07

APPR: MSASAO 2004/01/08

DOCUMENT NUMBER SD-52559-028

DOC TYPE PSD

DOC PART 001

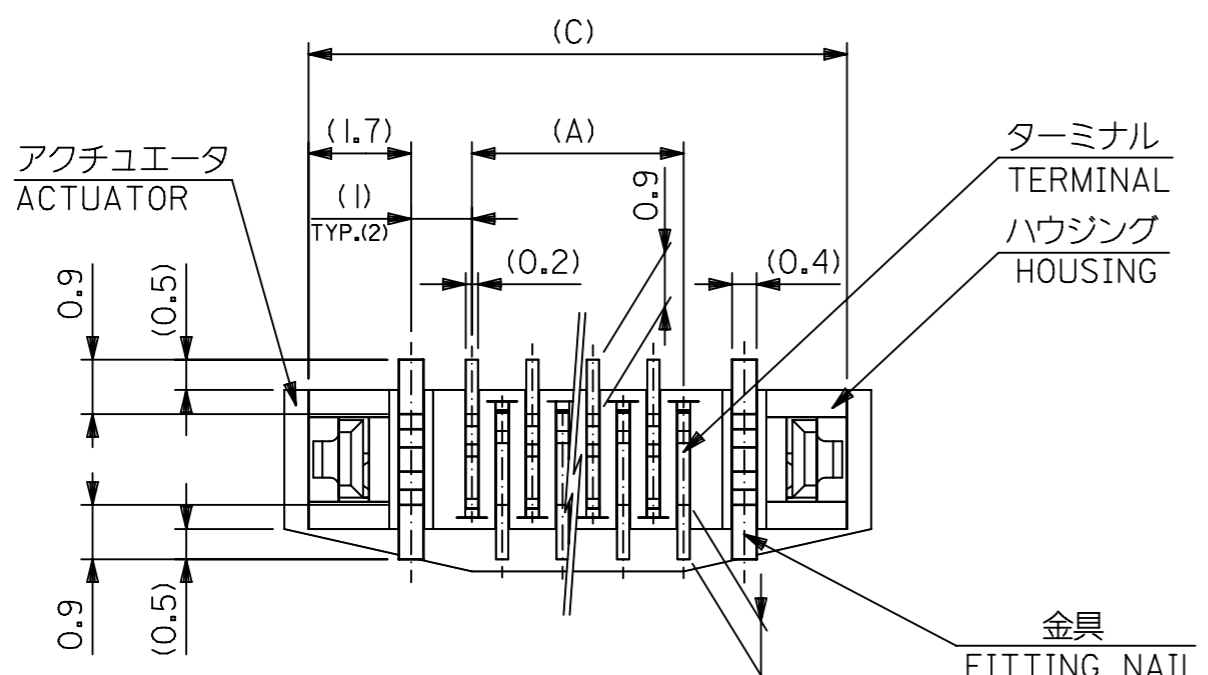
REVISION D

PRODUCT CUSTOMER DRAWING

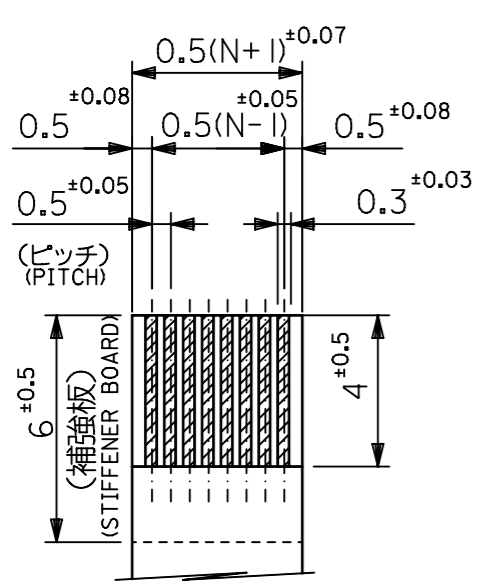
0.5 FPC CONN ASSY ZIF SMT ST EMBSTP PKG -LEAD FREE-

GENERAL TOLERANCES (UNLESS SPECIFIED)

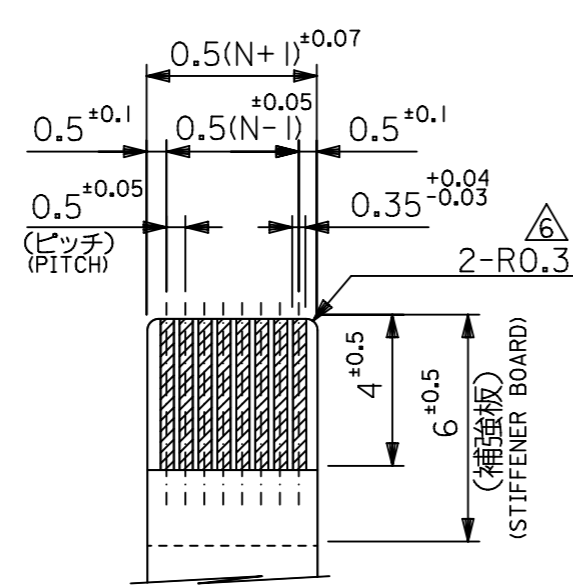
10 ^{UNDER}	±0.2
10 ^{OVER} 30 ^{UNDER}	±0.25
30 ^{OVER}	±0.3
ANGULAR	±3 °



下面図
BOTTOM VIEW



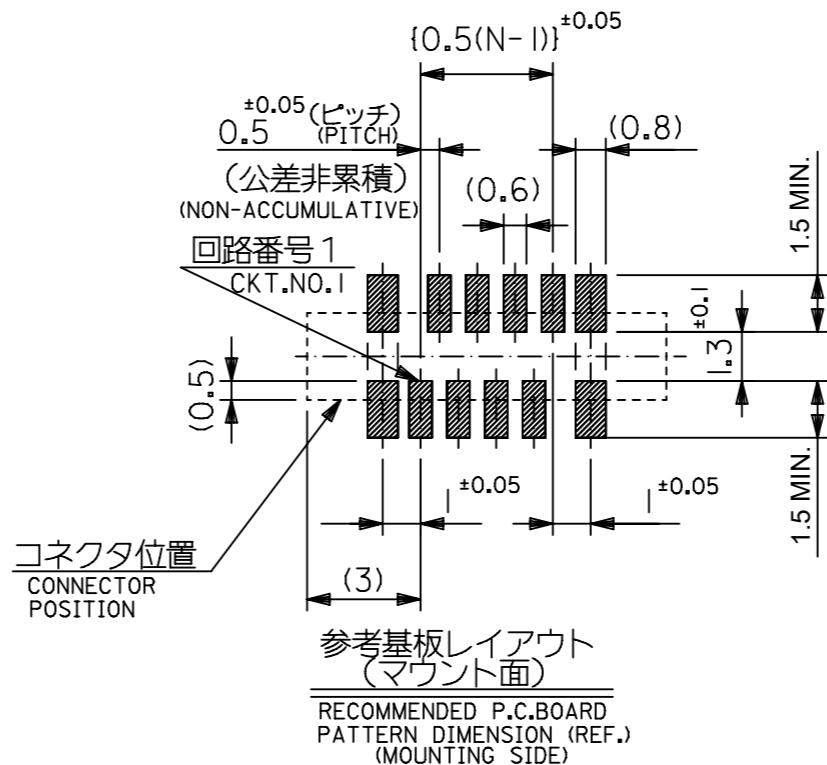
適合 FFC 推奨寸法
APPLICABLE FFC
RECOMMENDED DIMENSION.
(仕上がり厚さ: 0.3 ± 0.05)
(THICKNESS: 0.3 ± 0.05)



適合 FPC 推奨寸法
APPLICABLE FPC
RECOMMENDED DIMENSION.
(仕上がり厚さ: 0.3 ± 0.05)
(THICKNESS: 0.3 ± 0.05)

FPCについて:
打抜き方向は導体側から補強板側を推奨致します。
補強フィルム材質はポリイミドを推奨致します。
接着剤は熱硬化接着剤を推奨致します。

ABOUT FPC:
RECOMMENDED PUNCHER DIRECTION: FROM CONDUCTOR SIDE TO STIFFENER BOARD SIDE.
RECOMMENDED MATERIAL:
STIFFENER FILM: POLYIMIDE
BONDING AGENT: THERMOSETTING BONDING AGENT



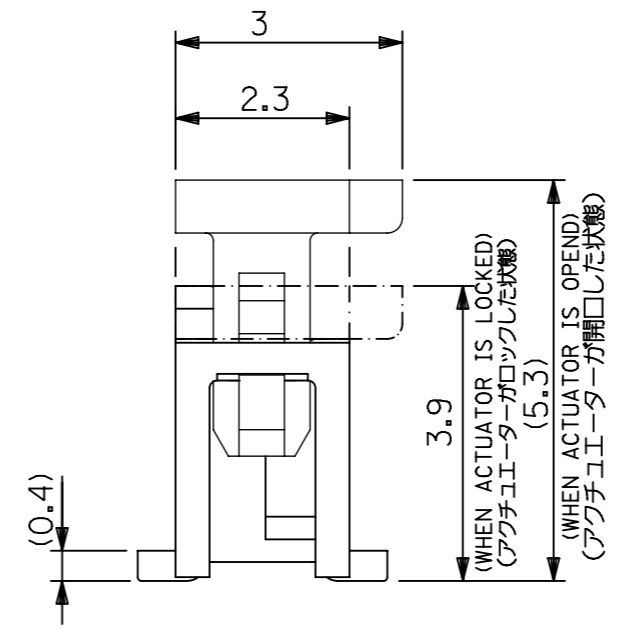
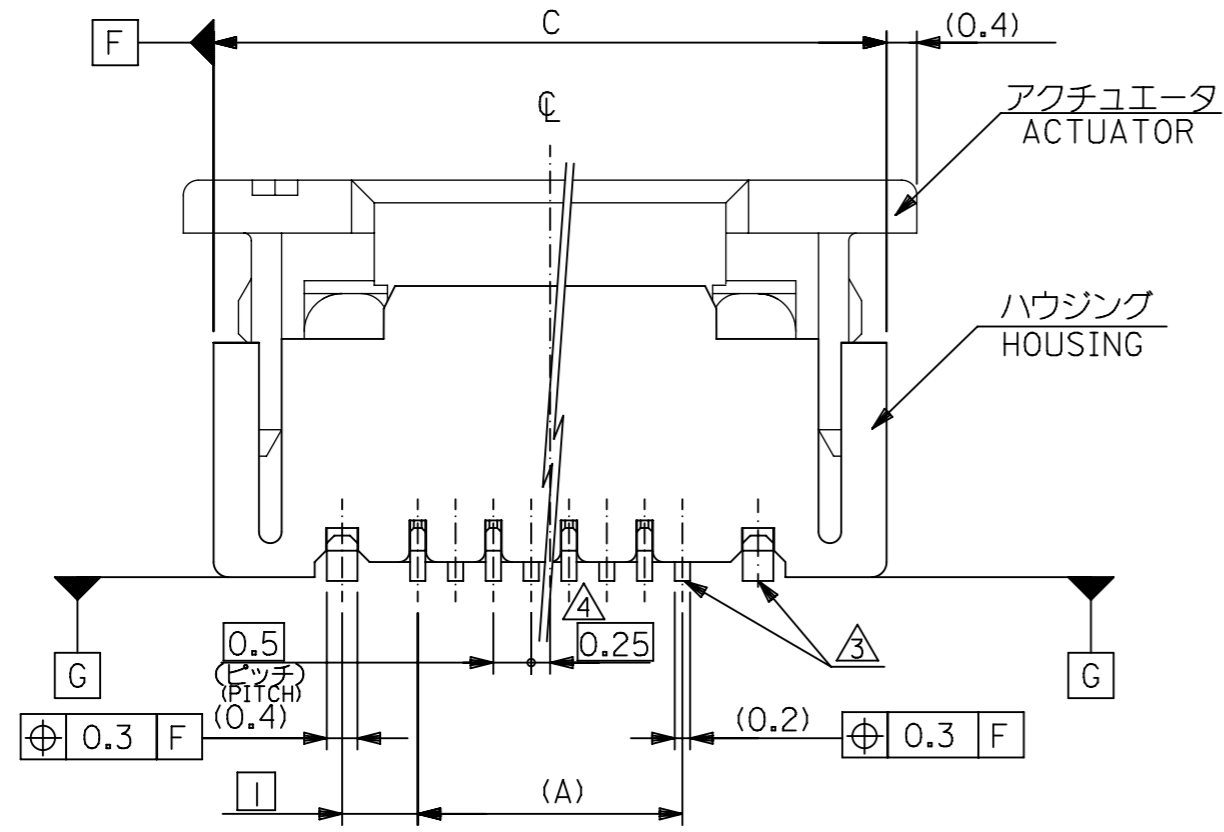
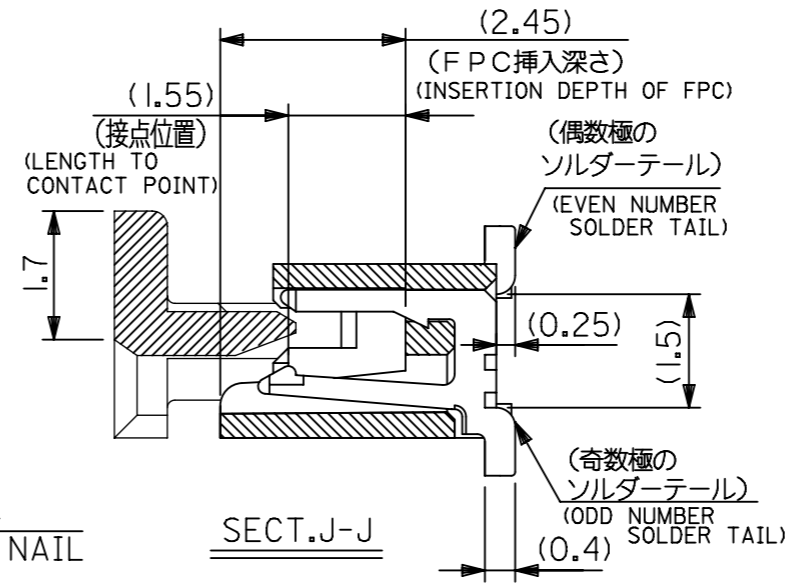
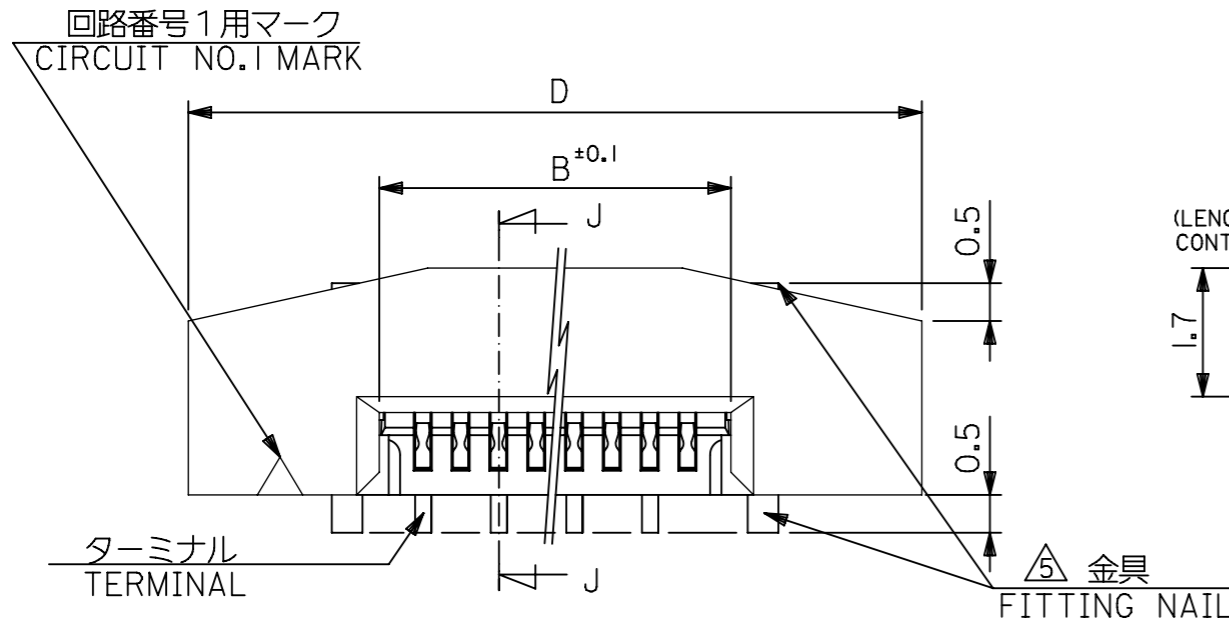
参考基板レイアウト
(マウント面)
RECOMMENDED P.C. BOARD
PATTERN DIMENSION (REF.)
(MOUNTING SIDE)

注記 NOTES

- 使用材料: MATERIAL
ハウジング HOUSING : 46NYLON UL94V-0
アクチュエータ ACTUATOR : PPS UL94V-0
ターミナル TERMINAL : リン青銅 (t=0.2) PHOS-BRO
: 錫ビスマスメッキ 1.0 マイクロメートル以上 TIN-BISMUTH 1.0 MICROMETER MINIMUM
: ニッケル下地 1.0 マイクロメートル以上 NICKEL (UNDER PLATING) 1.0 MICROMETER MINIMUM
金具 FITTING NAIL : リン青銅 (t=0.4) PHOS-BRO
: 錫メッキ 1.0 マイクロメートル以上 TIN 1.0 MICROMETER MINIMUM
: ニッケル下地 1.0 マイクロメートル以上 NICKEL (UNDER PLATING) 1.0 MICROMETER MINIMUM
- エンボステープ梱包時は、アクチュエータがロックした状態とする。
IN THE PACKAGE, ACTUATOR OF PART NO.52559-***19 SHOULD BE LOCKED.
- △ ソルダータール半田付け面のスレ量、及び金具半田付け面のスレ量は、基準面 G に対し上方向 0.05 MAX. , 下方向 0.15 MAX. とする。
MISALIGNMENT OF SOLDER TAILS AND FITTING NAILS FROM G
UPPER DIRECTION: 0.05 MAX. , LOWER DIRECTION: 0.15 MAX.
- △ 偶数極に適用。
APPLY FOR EVEN CIRCUIT.
- △ パターンはくり止め用金具。
FITTING NAIL FOR PREVENTION OF PEELING OF P.C.B. PATTERN.
- △ R0.3 は、FPC の導体部にかからないこと。
R0.3 MUST NOT BE OVERLAPPED TO PATTERN OF FPC.
- 本製品は 52559-***17 の鉛フリー品である。
THIS PRODUCT IS LEAD FREE OF 52559-***17

THIS DRAWING CONTAINS INFORMATION THAT IS PROPRIETARY TO MOLEX ELECTRONIC TECHNOLOGIES, LLC AND SHOULD NOT BE USED WITHOUT WRITTEN PERMISSION		CURRENT REV DESC:		molex	
DIMENSION UNITS	SCALE				
mm	NTS			0.5 FPC CONN ASSY ZIF SMT ST EMBSTP PKG -LEAD FREE-	
GENERAL TOLERANCES (UNLESS SPECIFIED)		GENERAL TOLERANCES (UNLESS SPECIFIED)		PRODUCT CUSTOMER DRAWING	
ANGULAR TOL ± °		ANGULAR TOL ± °		DOCUMENT NUMBER	
4 PLACES ±		4 PLACES ±		SD-52559-028	
3 PLACES ±		3 PLACES ±		DOC TYPE	
2 PLACES ±		2 PLACES ±		PSD	
1 PLACE ±		1 PLACE ±		DOC PART	
0 PLACES ±		0 PLACES ±		001	
DRAFT WHERE APPLICABLE MUST REMAIN WITHIN DIMENSIONS		THIRD ANGLE PROJECTION		REVISION	
		DRAWING		D	
		SERIES		SHEET NUMBER	
		A3-SIZE		6 OF 6	
		52559		MATERIAL NUMBER	
		SEE TABLE		CUSTOMER	
		GENERAL MARKET			

GENERAL TOLERANCES (UNLESS SPECIFIED)	
10 ^{UNDER}	±0.2
10 ^{OVER} 30 ^{UNDER}	±0.25
30 ^{OVER}	±0.3
ANGULAR	±3°

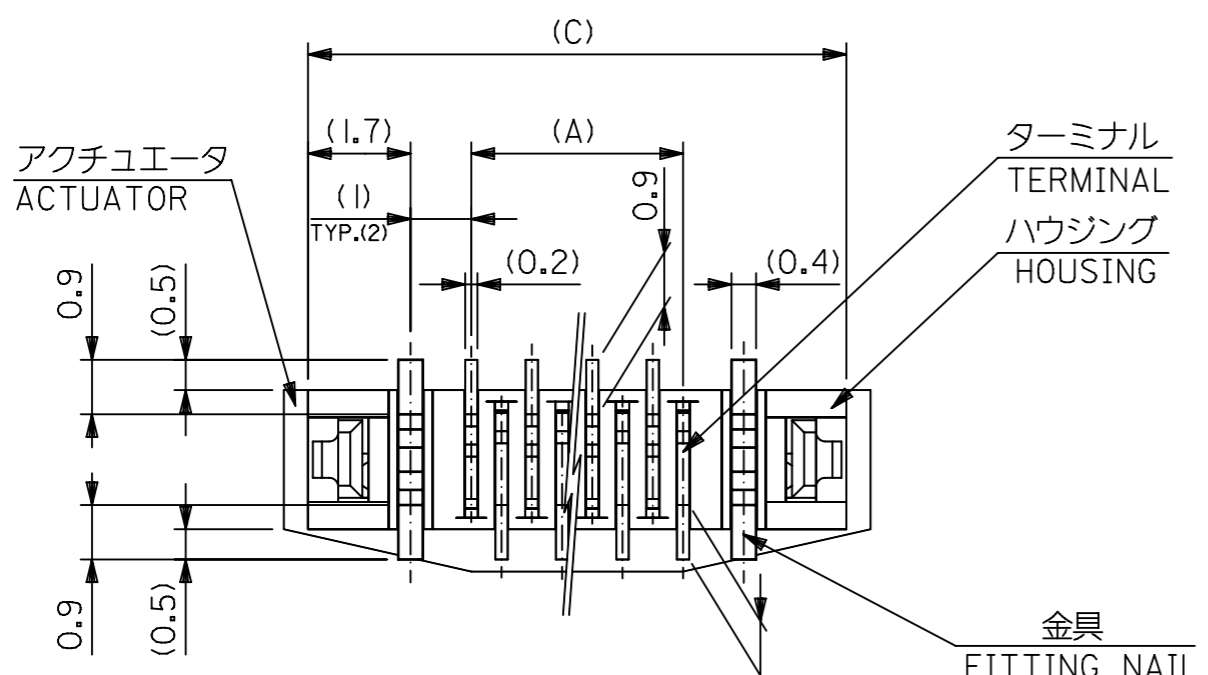


注記 NOTES

- 使用材料 : MATERIAL
 ハウジング : 46NYLON UL94V-0
 アクチュエータ : PPS UL94V-0
 ターミナル : リン青銅 (t=0.2) PHOS-BRO
 : 錫ビスマスマッキ 1.0マイクロメートル以上 TIN-BISMUTH 1.0 MICROMETER MINIMUM
 : ニッケル下地 1.0マイクロメートル以上 NICKEL(UNDER PLATING) 1.0 MICROMETER MINIMUM
 金具 : リン青銅 (t=0.4) PHOS-BRO
 : 錫メッキ 1.0マイクロメートル以上 TIN 1.0 MICROMETER MINIMUM
 : ニッケル下地 1.0マイクロメートル以上 NICKEL(UNDER PLATING) 1.0 MICROMETER MINIMUM
- エンボスステップ梱包時は、アクチュエータがロックした状態とする。
 IN THE PACKAGE, ACTUATOR OF PART NO.52559-***19 SHOULD BE LOCKED.
- △ ソルダータール半田付け面のズレ量、及び金具半田付け面のズレ量は、基準面 G に対し上方向 0.05 MAX. , 下方向 0.15 MAX. とする。
 MISALIGNMENT OF SOLDER TAILS AND FITTING NAILS FROM G UPPER DIRECTION: 0.05 MAX. , LOWER DIRECTION: 0.15 MAX.
- △ 偶数極に適用。
 APPLY FOR EVEN CIRCUIT.
- △ パターンはくり止め用金具。
 FITTING NAIL FOR PREVENTION OF PEELING OF P.C.B. PATTERN.
- △ R0.3は、FPCの導体部にかからないこと。
 R0.3 MUST NOT BE OVERLAPPED TO PATTERN OF FPC.
- 本製品は 52559-***17 の鉛フリー品である。
 THIS PRODUCT IS LEAD FREE OF 52559-***17

THIS DRAWING CONTAINS INFORMATION THAT IS PROPRIETARY TO MOLEX ELECTRONIC TECHNOLOGIES, LLC AND SHOULD NOT BE USED WITHOUT WRITTEN PERMISSION		CURRENT REV DESC:		molex	
DIMENSION UNITS	SCALE				
mm	NTS			0.5 FPC CONN ZIF FOR SMT S/T SHEET 1 OF 2 - LEAD FREE-	
GENERAL TOLERANCES (UNLESS SPECIFIED)		GENERAL TOLERANCES (UNLESS SPECIFIED)		PRODUCT CUSTOMER DRAWING	
ANGULAR TOL	± °	4 PLACES	±	DOCUMENT NUMBER	
3 PLACES	±	3 PLACES	±	DOC TYPE	
2 PLACES	±	2 PLACES	±	DOC PART	
1 PLACE	±	1 PLACE	±	REVISION	
0 PLACES	±	0 PLACES	±	SD-52559-045	
DRAFT WHERE APPLICABLE MUST REMAIN WITHIN DIMENSIONS		THIRD ANGLE PROJECTION	DRAWING	SERIES	MATERIAL NUMBER
		⊕	A3-SIZE	52559	CUSTOMER
				SEE CHART	GENERAL MARKET
				SHEET NUMBER	
				1 OF 2	

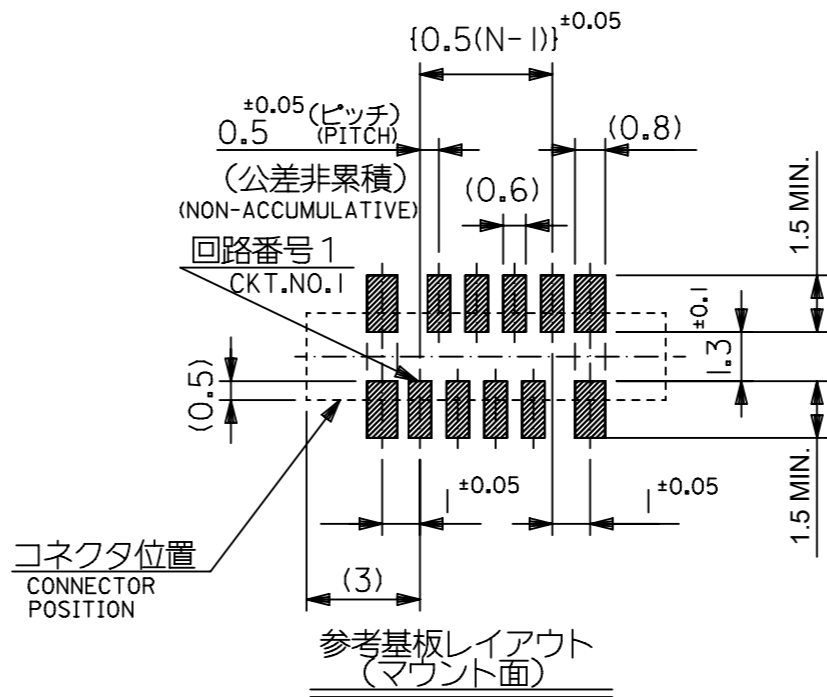
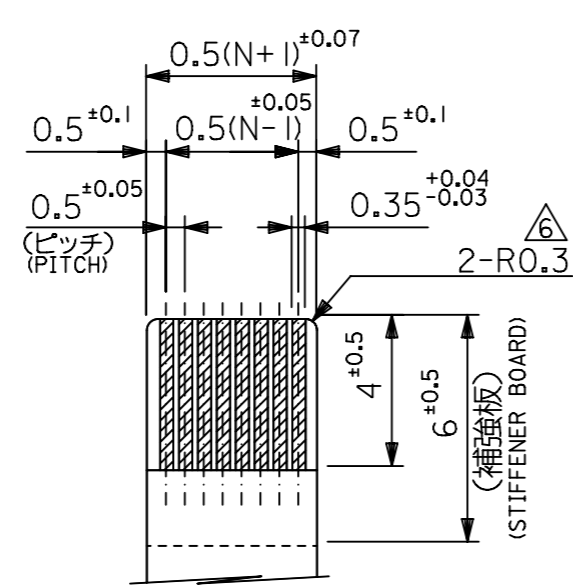
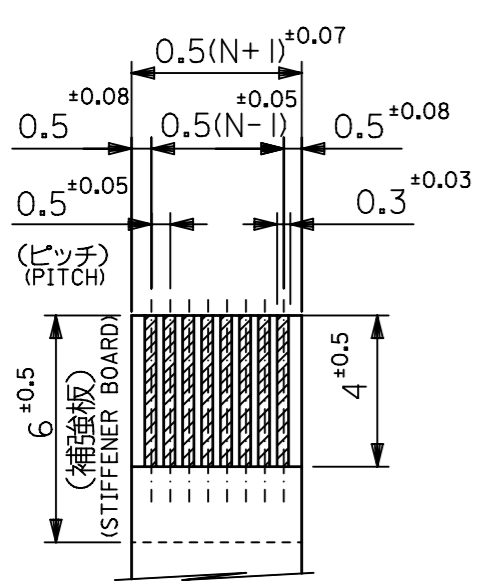
GENERAL TOLERANCES (UNLESS SPECIFIED)	
10 ^{UNDER}	±0.2
10 ^{OVER} 30 ^{UNDER}	±0.25
30 ^{OVER}	±0.3
ANGULAR	±3 °



FPCについて：
打抜き方向は導体側から補強板側を推奨致します。
補強フィルム材質はポリイミドを推奨致します。
接着剤は熱硬化接着剤を推奨致します。

ABOUT FPC :
RECOMMENDED PUNCHER DIRECTION : FROM CONDUCTOR SIDE TO STIFFENER BOARD SIDE.
RECOMMENDED MATERIAL :
STIFFENER FILM : POLYIMIDE
BONDING AGENT : THERMOSETTING BONDING AGENT

下面図
BOTTOM VIEW



25.7	24.9	20.65	19.5	52559-40	19	40
23.7	22.9	18.65	17.5	-36	19	36
22.2	21.4	17.15	16.0	-33	19	33
21.7	20.9	16.65	15.5	-32	19	32
20.7	19.9	15.65	14.5	-30	19	30
19.7	18.9	14.65	13.5	-28	19	28
19.2	18.4	14.15	13.0	-27	19	27
18.7	17.9	13.65	12.5	-26	19	26
18.2	17.4	13.15	12.0	-25	19	25
17.7	16.9	12.65	11.5	-24	19	24
17.2	16.4	12.15	11.0	-23	19	23
16.7	15.9	11.65	10.5	-22	19	22
16.2	15.4	11.15	10.0	-21	19	21
15.7	14.9	10.65	9.5	-20	19	20
14.7	13.9	9.65	8.5	-18	19	18
14.2	13.4	9.15	8.0	-17	19	17
13.7	12.9	8.65	7.5	-16	19	16
13.2	12.4	8.15	7.0	-15	19	15
12.7	11.9	7.65	6.5	-14	19	14
12.2	11.4	7.15	6.0	-13	19	13
11.7	10.9	6.65	5.5	-12	19	12
10.7	9.9	5.65	4.5	-10	19	10
10.2	9.4	5.15	4.0	-09	19	9
9.7	8.9	4.65	3.5	-08	19	8
8.7	7.9	3.65	2.5	52559-06	19	6
D	C	B	(A)	MATERIAL NO.	極数 CKT.	

THIS DRAWING CONTAINS INFORMATION THAT IS PROPRIETARY TO MOLEX ELECTRONIC TECHNOLOGIES, LLC AND SHOULD NOT BE USED WITHOUT WRITTEN PERMISSION

mm NTS

GENERAL TOLERANCES (UNLESS SPECIFIED)

4 PLACES	±
3 PLACES	±
2 PLACES	±
1 PLACE	±
0 PLACES	±

10^{UNDER} ±0.2

10^{OVER} 30^{UNDER} ±0.25

30^{OVER} ±0.3

ANGULAR ±3°

EC NO: 719890
DRWN: NARENC 2022/08/22
CHK'D: SMARUYAMA 2022/09/05
APPR: YNAITO 2022/09/05

INITIAL REVISION:
DRWN: HSHIMABUKURO 2004/01/07
APPR: MSASAO 2004/01/08

THIRD ANGLE PROJECTION

DRAWING SERIES MATERIAL NUMBER CUSTOMER SHEET NUMBER
A3-SIZE 52559 SEE CHART GENERAL MARKET 2 OF 2

molex

0.5 FPC CONN ZIF FOR SMT
S/T SHEET 1 OF 2 - LEAD FREE-

PRODUCT CUSTOMER DRAWING

DOCUMENT NUMBER: SD-52559-045
DOC TYPE: PSD
DOC PART: 001
REVISION: B