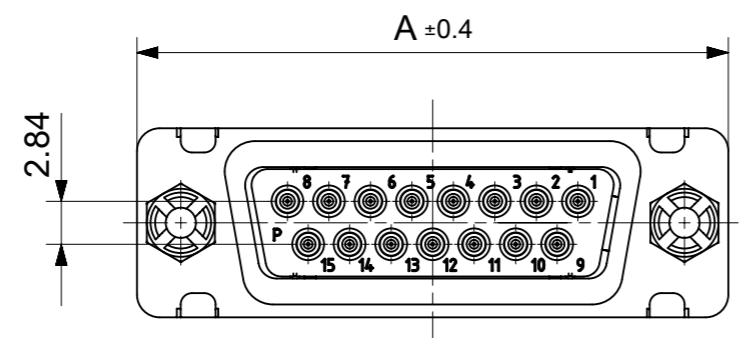
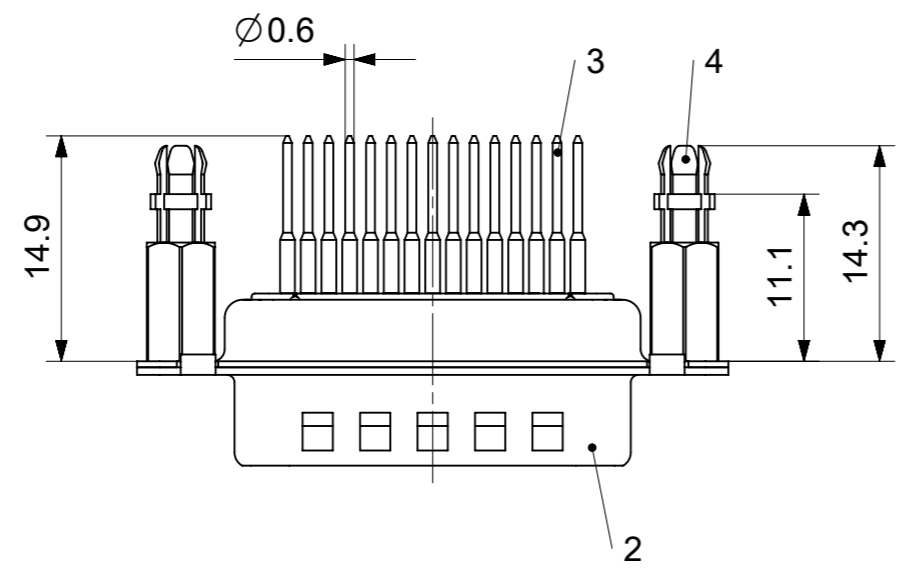
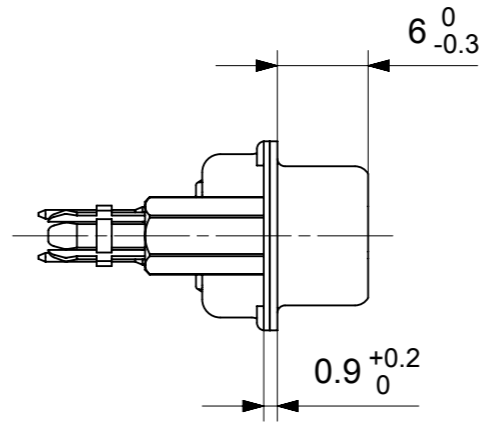
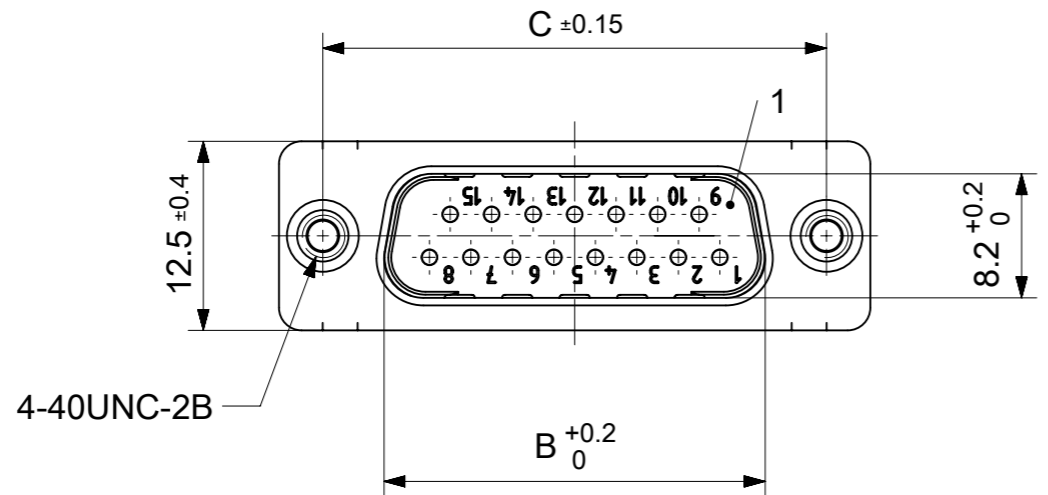


RoHS compliant
by exemption



FCT Part number:
Fxx*1)P26G2-K620
e.g. F15P26G2-K620
*1) xx No. of contacts 09, 15, 25 or 37
*2) y for performance classes 1, 2 or 3
(contact cycle for G1/G2/G3 = 500/200/50)

Material Number	xx*1)	y*2)	A[mm]	B[mm]	C[mm]	*E[mm]	*F[mm]
1731091088	09	G2	30.8	16.9	25	Ø1	Ø3
-	15	-	39.1	25.2	33.3		
1731091412	25	G2	53	38.9	47.04		
-	37	-	69.3	55.3	63.5		

*PCB hole patterns ØE, ØF see document 2195600023

No.	Pc.	Part	Type Description/Material	Surface plating/Color/Class
4	2	Snap-in bolt	PCB 1.6mm / Brass	tin plated
3	xx	Signal contact	P26 / Brass	G2
2	1	Shell	Steel	tin plated
1	1	Insulator	PBT (-55°C to +125°C) acc. UL94V-0	white

MEASUREMENTS WITHOUT TOLERANCE ACC TO ISO 2768-m				REPLACEMENT FOR DOCUMENT NUMBER: FxxP26Gy-K620			
FUNCTIONAL SYMBOLS		THIS DRAWING CONTAINS INFORMATION THAT IS PROPRIETARY TO MOLEX ELECTRONIC TECHNOLOGIES, LLC AND SHOULD NOT BE USED WITHOUT WRITTEN PERMISSION		<div style="text-align: center; font-size: 24px; font-weight: bold;">molex</div> <p>FCT D-SUB MINIATURE CONNECTOR</p> <p>PRODUCT CUSTOMER DRAWING</p>			
DIMENSION UNITS		SCALE					
mm		2:1		CURRENT REV DESC:			
GENERAL TOLERANCES (UNLESS SPECIFIED)		ANGULAR TOL ± °		EC NO: 712793			
4 PLACES ±		±		DRWN: SKANDB 2021/12/14			
3 PLACES ±		±		CHK'D: MTEUBEL 2022/07/04			
2 PLACES ±		±		APPR: MTEUBEL 2022/07/04			
1 PLACE ±		±		INITIAL REVISION:			
0 PLACES ±		±		DRWN: SKANDB 2021/12/14			
DRAFT WHERE APPLICABLE MUST REMAIN WITHIN DIMENSIONS		FIRST ANGLE PROJECTION		DRAWING		SERIES	
		A3-SIZE		173109		MATERIAL NUMBER	
		SEE TABLE		GENERAL MARKET		CUSTOMER	
						DOCUMENT NUMBER	
						1731091088	
						DOC TYPE	
						PSD	
						DOC PART	
						000	
						REVISION	
						A	
						SHEET NUMBER	
						1 OF 1	



ØE, ØF see data sheet incl. connector
 ØF connectors with accessories only

MEASUREMENTS WITHOUT TOLERANCE ACC TO ISO 2768-m			REPLACEMENT FOR DOCUMENT NUMBER: AM0023			
THIS DRAWING CONTAINS INFORMATION THAT IS PROPRIETARY TO MOLEX ELECTRONIC TECHNOLOGIES, LLC AND SHOULD NOT BE USED WITHOUT WRITTEN PERMISSION						
FUNCTIONAL SYMBOLS	DIMENSION UNITS	SCALE	CURRENT REV DESC:			
$\nabla_A = 0$	mm	2:1	EC NO: 713905			
$\nabla_E = 0$	GENERAL TOLERANCES (UNLESS SPECIFIED)		DRWN: SKANDB 2022/05/16			
$\nabla_P = 0$	ANGULAR TOL ± °		CHK'D: MTEUBEL 2022/07/12			
DIVISIONAL SYMBOLS	4 PLACES ±		APPR: MTEUBEL 2022/07/12			
	3 PLACES ±		INITIAL REVISION:			
	2 PLACES ±		DRWN: SKANDB 2022/05/16			
	1 PLACE ±		APPR: MTEUBEL 2022/07/12			
	0 PLACES ±		DOCUMENT NUMBER			
DRAFT WHERE APPLICABLE MUST REMAIN WITHIN DIMENSIONS		FIRST ANGLE PROJECTION	DRAWING	SERIES	MATERIAL NUMBER	CUSTOMER
			A3-SIZE	219560	219560	GENERAL MARKET
			PRODUCT CUSTOMER DRAWING		REVISION	
			2195600023		A	
			PSD 000		1 OF 1	