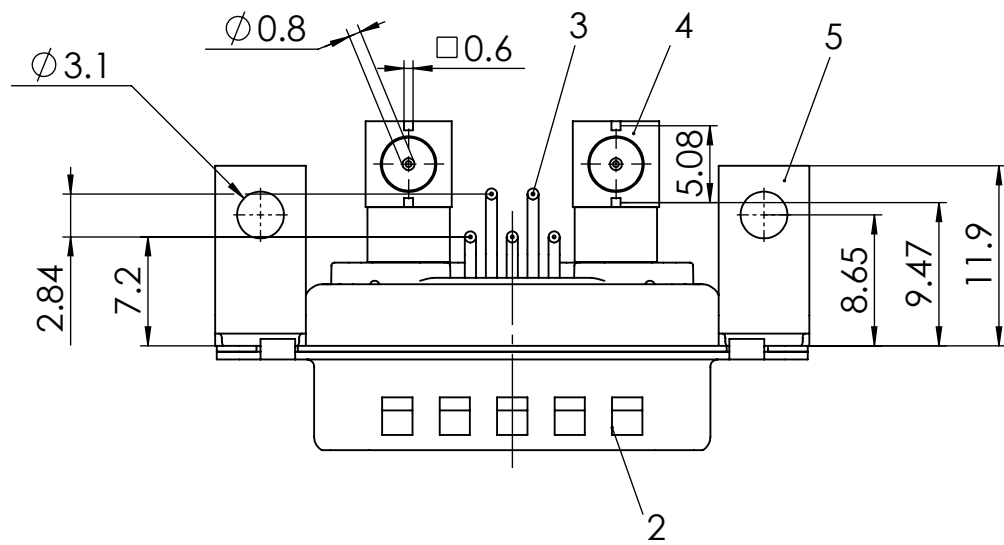
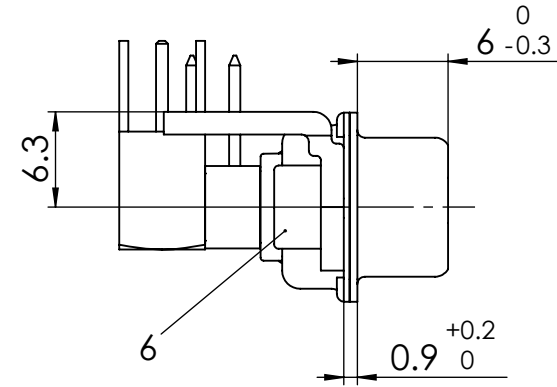
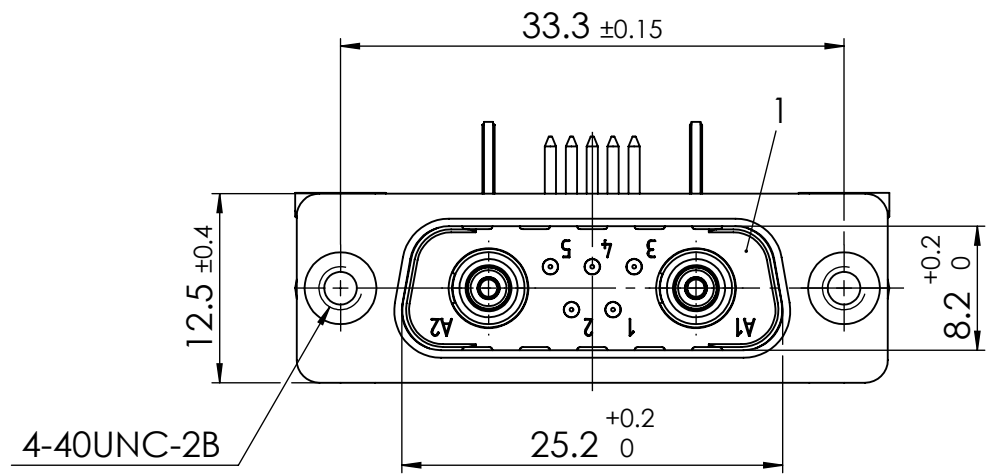
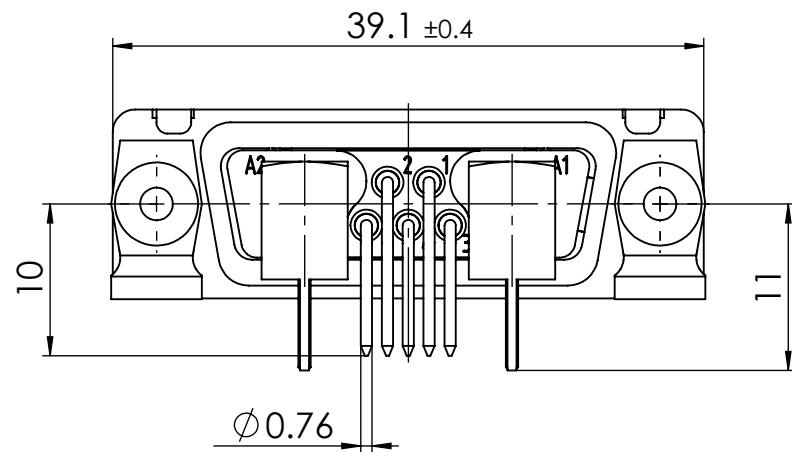
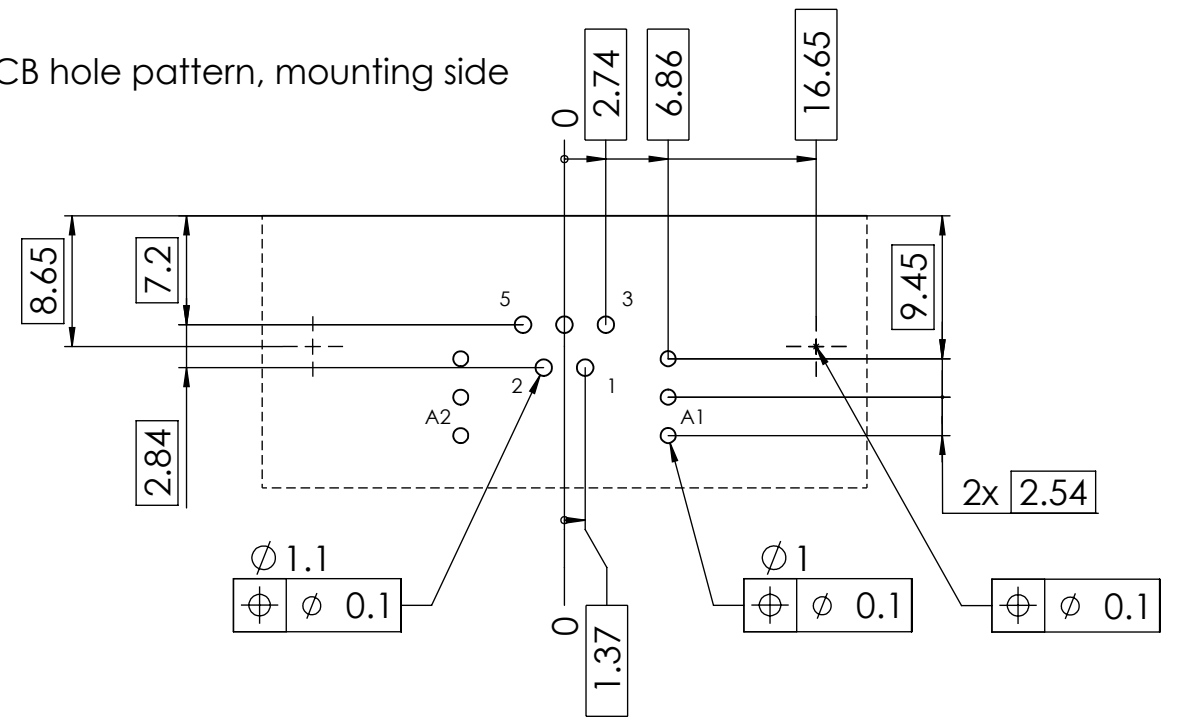


RoHS compliant
by exemption



PCB hole pattern, mounting side



No.	St.	Part	Type Description/Material	Surface plating/Colour/Class
6	2	Clinch nut	MW 4-40 / Steel	tin plated
5	2	Bracket	F1080-16 / Steel	tin plated
4	2	Coaxial contact	FME008P102R	50Ω
3	5	Signal contact	P12 / Brass	0.8μm Au
2	1	Shell	Steel	tin plated
1	1	Insulator	PBT (-55°C to +130°C) acc. UL94V-0	green

FUNCTIONAL SYMBOLS					THIS DRAWING CONTAINS INFORMATION THAT IS PROPRIETARY TO MOLEX ELECTRONIC TECHNOLOGIES, LLC AND SHOULD NOT BE USED WITHOUT WRITTEN PERMISSION				
▽ = 0	DIMENSION UNITS	SCALE	MEASUREMENTS WITHOUT TOLERANCE ACC. TO ISO 2768-m		molex				
▽ = 0	mm	2:1							
▽ = 0			CURRENT REVISION		FCT D-Sub Mixed-Layout Connector				
			DRWN: DRAWN BY msteinbrueck 05-09-2023						
			APPR: APPR BY mteubel 15-09-2023		PRODUCT CUSTOMER DRAWING				
			INITIAL REVISION						
			DRWN: DRAWN BY sschref 15-04-2008		MATERIAL NUMBER 1731071114				
			APPR: APPR BY birgit.rinder 15-04-2008						
	REV.	CH.-NO.			DOCUMENT NUMBER FM7W2P12-0166				
	REPLACEMENT FOR:		FRIST ANGLE PROJECTION	DRAWING	CUSTOMER		REVISION		
	1731071114_Rev. A1			A3-SIZE	GENERAL MARKET		3		
					SHEET NUMBER		1 OF 1		

COMMENT:
ALL RIGHTS ARE RESERVED BY US FOR THIS DRAWING. WITHOUT OUR PRIOR CONSENT,
IT MAY NEITHER BE DUPLICATED NOR MADE AVAILABLE TO A THIRD PARTY.
AND IT ALSO MAY NOT BE IMPROPERLY USED BY THE RECEIVER, OR A THIRD PARTY.