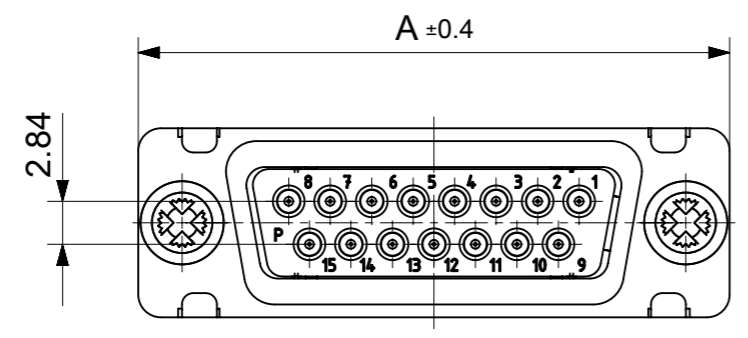
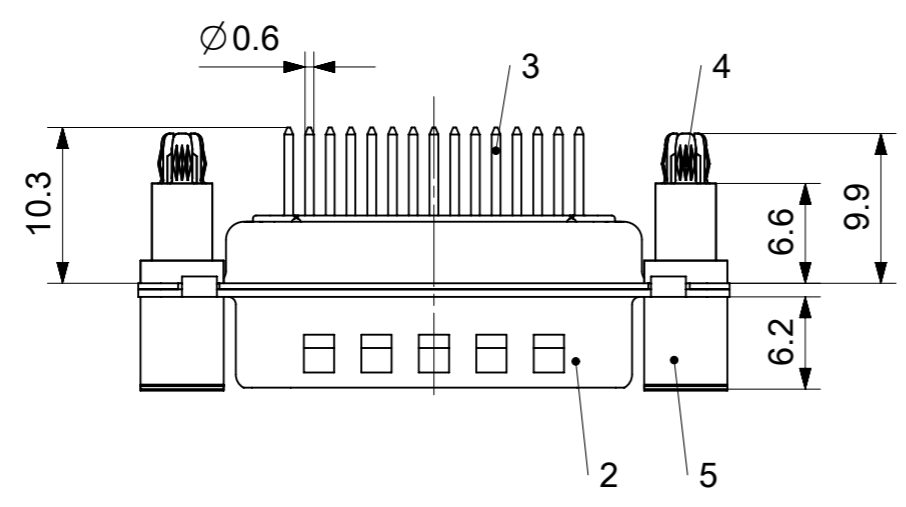
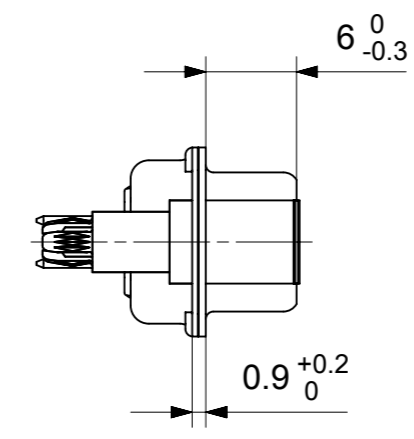
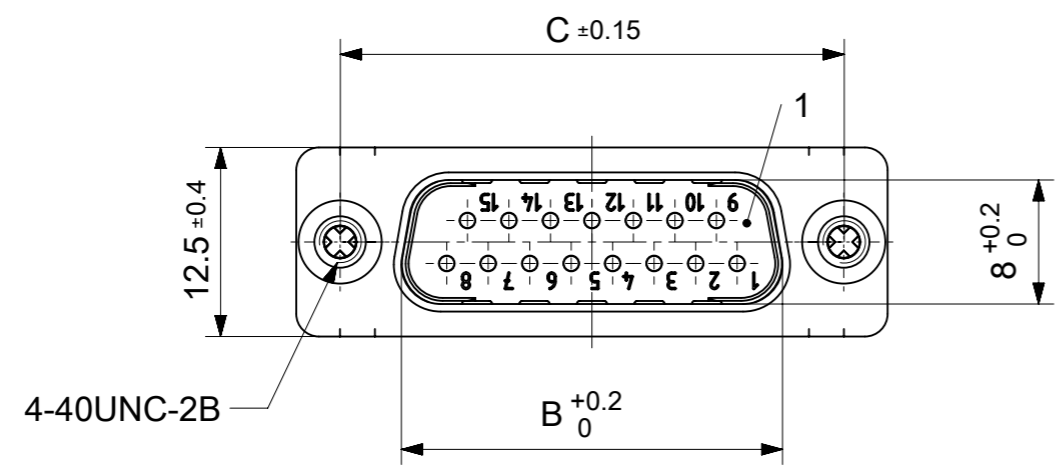


RoHS compliant
by exemption



FCT Part number:

Fxx*1)P1y*2)-1276

e.g. F15P1G1-1276

*1) xx No. of contacts 09, 15, 25 or 37

*2) y for performance classes 1, 2 or 3

(contact cycle for G1/G2/G3 = 500/200/50)

Material Number	xx*1)	y*2)	A[mm]	B[mm]	C[mm]	*E[mm]	*F[mm]
1731090824	09	G1	30.8	16.9	25	Ø1	Ø3
1731090354		G2					
1731091247	15	G1	39.1	25.2	33.3		
1731091259		G2					
1731091397	25	G1	53	38.9	47.04		
-	37	-	69.3	55.3	63.5		

*PCB hole patterns ØE, ØF see document 2195600023

5	2	Support sleeve	Brass	tin plated
4	2	Snap-in bolt	PCB 1.6mm / Brass	tin plated
3	xx	Signal contact	P1 / Brass	G1 / G2
2	1	Shell	Steel	tin plated
1	1	Insulator	PBT (-55°C to +125°C) acc. UL94V-0	white
No.	Pc.	Part	Type Description/Material	Surface plating/ Color/Class

MEASUREMENTS WITHOUT TOLERANCE ACC TO ISO 2768-m REPLACEMENT FOR DOCUMENT NUMBER: FxxP1Gy-1276

FUNCTIONAL SYMBOLS	THIS DRAWING CONTAINS INFORMATION THAT IS PROPRIETARY TO MOLEX ELECTRONIC TECHNOLOGIES, LLC AND SHOULD NOT BE USED WITHOUT WRITTEN PERMISSION	CURRENT REV DESC:		molex				
	<table border="1"> <tr> <th>DIMENSION UNITS</th> <th>SCALE</th> </tr> <tr> <td>mm</td> <td>2:1</td> </tr> </table>	DIMENSION UNITS	SCALE		mm	2:1	EC NO: 706086	
	DIMENSION UNITS	SCALE						
	mm	2:1						
GENERAL TOLERANCES (UNLESS SPECIFIED)		DRWN: GOOLAM 2021/11/25						
ANGULAR TOL ± °		CHK'D: MTEUBEL 2022/05/11						
DIVISIONAL SYMBOLS	4 PLACES ±		APPR: MTEUBEL 2022/05/11	FCT D-SUB MINIATURE CONNECTOR				
	3 PLACES ±		INITIAL REVISION:					
	2 PLACES ±		DRWN: GOOLAM 2021/11/25					
	1 PLACE ±		APPR: MTEUBEL 2022/05/11					
0 PLACES ±		DOCUMENT NUMBER		1731090824				
DRAFT WHERE APPLICABLE MUST REMAIN WITHIN DIMENSIONS		DOC TYPE DOC PART REVISION						
FIRST ANGLE PROJECTION		DRAWING		PSD 000 A				
DRAWING		SERIES						
A3-SIZE		MATERIAL NUMBER		1 OF 1				
173109		CUSTOMER						
SEE TABLE		GENERAL MARKET						



$\varnothing E$, $\varnothing F$ see data sheet incl. connector
 $\varnothing F$ connectors with accessories only

MEASUREMENTS WITHOUT TOLERANCE ACC TO ISO 2768-m			REPLACEMENT FOR DOCUMENT NUMBER: AM0023						
THIS DRAWING CONTAINS INFORMATION THAT IS PROPRIETARY TO MOLEX ELECTRONIC TECHNOLOGIES, LLC AND SHOULD NOT BE USED WITHOUT WRITTEN PERMISSION									
FUNCTIONAL SYMBOLS	DIMENSION UNITS	SCALE	CURRENT REV DESC:						
$\nabla_A = 0$	mm	2:1	EC NO: 713905						
$\nabla_E = 0$	GENERAL TOLERANCES (UNLESS SPECIFIED)		DRWN: SKANDB 2022/05/16						
$\nabla_P = 0$	ANGULAR TOL \pm °		CHK'D: MTEUBEL 2022/07/12						
DIVISIONAL SYMBOLS	4 PLACES \pm		APPR: MTEUBEL 2022/07/12						
	3 PLACES \pm		INITIAL REVISION:						
	2 PLACES \pm		DRWN: SKANDB 2022/05/16						
	1 PLACE \pm		APPR: MTEUBEL 2022/07/12						
	0 PLACES \pm		DOCUMENT NUMBER						
DRAFT WHERE APPLICABLE MUST REMAIN WITHIN DIMENSIONS		FIRST ANGLE PROJECTION	DRAWING	SERIES	MATERIAL NUMBER	CUSTOMER	DOC TYPE	DOC PART	REVISION
			A3-SIZE	219560	219560	GENERAL MARKET	PSD	000	A
			2195600023				1 OF 1		