



The Future of Analog IC Technology®

# MP28115

## 4A, 1.5MHz Synchronous Step-Down Converter

### DESCRIPTION

The MP28115 is an internally compensated 1.5MHz fixed frequency PWM synchronous step-down regulator. MP28115 operates from a 2.7V to 6V input and generates an adjustable output voltage from 0.8V to 0.9xV<sub>IN</sub> at up to 4A load current.

The MP28115 integrates a 60mΩ high-side switch and a 60mΩ synchronous rectifier for high efficiency without an external Schottky diode. With peak current mode control and internal compensation, the MP28115 based solution achieves minimum footprint and component count. Fault condition protection includes hiccup short-circuit protection, cycle-by-cycle current limiting and thermal shutdown. Other features include frequency synchronization input, internal soft-start and power good output.

The MP28115 is available in a small 3mm x 3mm 10-lead QFN package.

### FEATURES

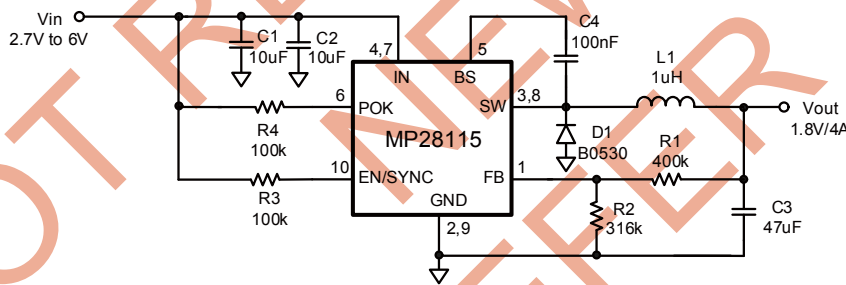
- 4A Output Current
- Input Operation Range: 2.7V to 6V
- 1.5% Output Accuracy
- 60mΩ Internal Power MOSFET Switches
- All Ceramic Capacitor Design
- Up to 95% Efficiency
- 1.5MHz Fixed Switching Frequency
- Internal Soft-Start
- Frequency Synchronization Input
- Power Good Output
- Cycle-by-Cycle Current Limiting
- Hiccup Short Circuit Protection
- Thermal Shutdown
- 3mm x 3mm 10-lead QFN Package

### APPLICATIONS

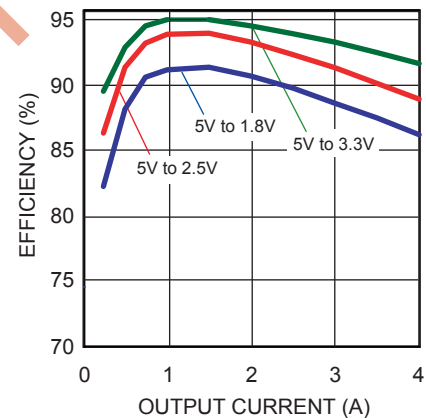
- μP/ASIC/DSP/FPGA Core and I/O Supplies
- Printers and LCD TVs
- Network and Telecom Equipment
- Point of Load Regulators

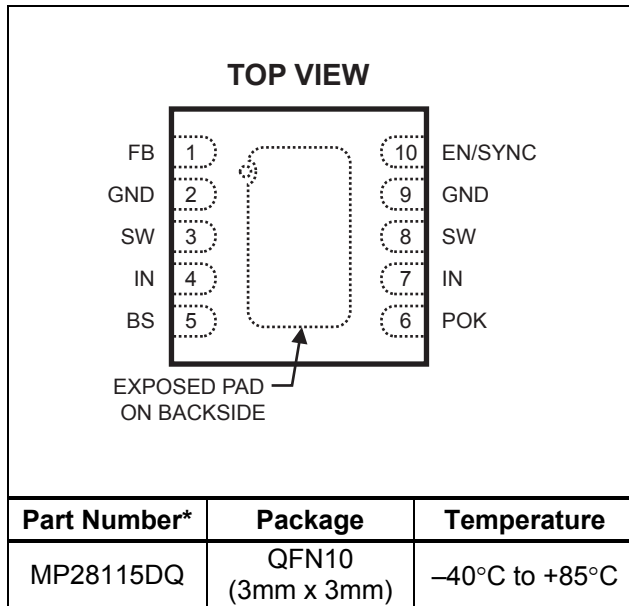
"MPS" and "The Future of Analog IC Technology" are Trademarks of Monolithic Power Systems, Inc.

### TYPICAL APPLICATION



#### Efficiency vs Output Current



**PACKAGE REFERENCE**


\* For Tape & Reel, add suffix -Z (e.g. MP28115DQ-Z)  
 For RoHS Compliant Packaging, add suffix -LF  
 (e.g. MP28115DQ-LF-Z)

**ABSOLUTE MAXIMUM RATINGS <sup>(1)</sup>**

IN to GND ..... -0.3V to +6.5V  
 SW to GND ..... -0.3V to  $V_{IN} + 0.3V$   
 SW to GND ..... -2.5V to  $V_{IN} + 2.5V$  for <50nS  
 FB, EN/SYNC, POK to GND..... -0.3V to +6.5V  
 BS to SW ..... -0.3V to +6.5V  
 Junction Temperature ..... 150°C  
 Lead Temperature ..... 260°C  
 Storage Temperature ..... -65°C to +150°C

**Recommended Operating Conditions <sup>(2)</sup>**

Supply Voltage  $V_{IN}$  ..... 2.7V to 6V  
 Output Voltage  $V_{OUT}$  ..... 0.8V to  $0.9 \times V_{IN}$   
 Operating Temperature ..... -40°C to +85°C

**Thermal Resistance <sup>(3)</sup>**

$\theta_{JA}$   $\theta_{JC}$   
 QFN10 (3mm x 3mm) ..... 50 ..... 12... °C/W

**Notes:**

- 1) Exceeding these ratings may damage the device.
- 2) The device is not guaranteed to function outside of its operating conditions.
- 3) Measured on approximately 1" square of 1 oz copper.

**ELECTRICAL CHARACTERISTICS <sup>(4)</sup>**

$V_{IN} = V_{EN} = 3.6V$ ,  $T_A = +25^\circ C$ , unless otherwise noted.

Parameters	Condition	Min	Typ	Max	Units
Supply Current	$V_{EN} = V_{IN}$ $V_{FB} = 0.85V$		750		$\mu A$
Shutdown Current	$V_{EN} = 0V$ , $V_{IN} = 6V$		1		$\mu A$
IN Undervoltage Lockout Threshold	Rising Edge		2.59	2.69	V
IN Undervoltage Lockout Hysteresis			210		mV
Regulated FB Voltage	$T_A = +25^\circ C$	0.788	0.800	0.812	V
	$-40^\circ C \leq T_A \leq +85^\circ C$	0.780	0.800	0.820	V
FB Input Current	$V_{FB} = 0.85V$		$\pm 50$		nA
EN High Threshold	$-40^\circ C \leq T_A \leq +85^\circ C$	1.6			V
EN Low Threshold	$-40^\circ C \leq T_A \leq +85^\circ C$			0.4	V
Internal Soft-Start Time			120		$\mu s$
High-Side Switch On-Resistance	$I_{SW} = 300mA$		60		m $\Omega$
Low-Side Switch On-Resistance	$I_{SW} = -300mA$		60		m $\Omega$
SW Leakage Current	$V_{EN} = 0V$ ; $V_{IN} = 6V$ $V_{SW} = 0V$ or $6V$	-10		10	$\mu A$
BS Under Voltage Lockout Threshold			1.8		V

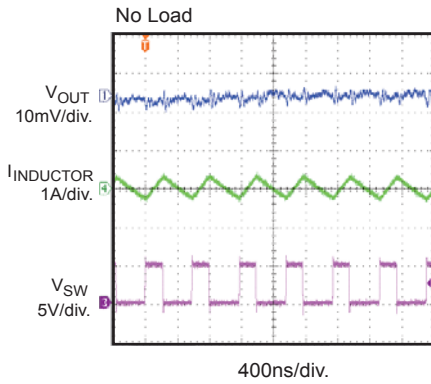
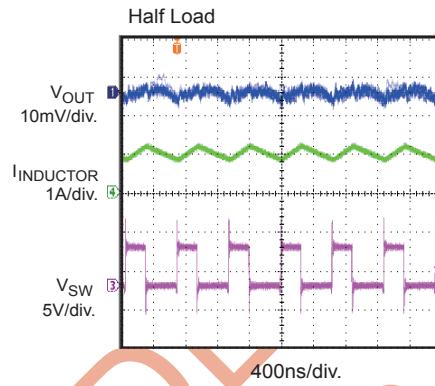
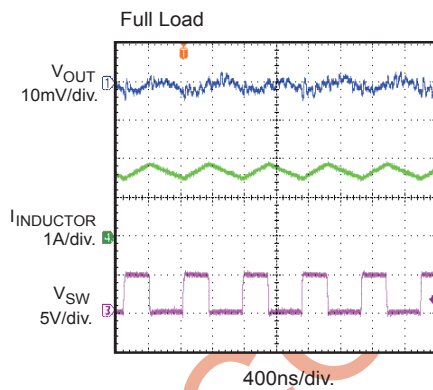
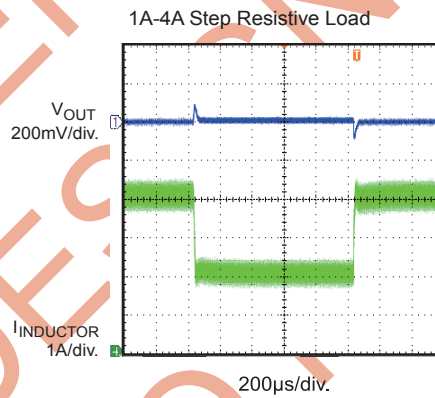
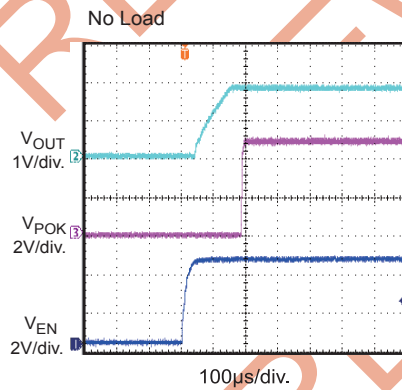
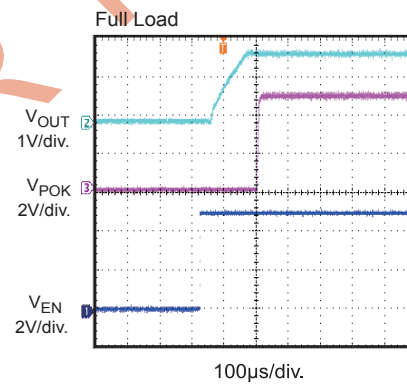
**ELECTRICAL CHARACTERISTICS** <sup>(4)</sup> (continued) $V_{IN} = V_{EN} = 3.6V$ ,  $T_A = +25^{\circ}C$ , unless otherwise noted.

Parameters	Condition	Min	Typ	Max	Units
High-Side Switch Current Limit	Sourcing	TBD	6.5		A
Low-Side Switch Current Limit	Sinking		3.5		A
Oscillator Frequency		1.2	1.5	1.8	MHz
Maximum Synch Frequency			2		MHz
Minimum Synch Frequency			1		MHz
Minimum On Time			50		ns
Maximum Duty Cycle			90		%
POK Upper Trip Threshold	FB respect to the nominal value		10		%
POK Lower Trip Threshold	FB respect to the nominal value		-10		%
POK Output Voltage Low	$I_{SINK} = 5mA$			0.4	V
POK Deglitch Timer			30		$\mu s$
Thermal Shutdown Threshold	Hysteresis = $20^{\circ}C$		150		$^{\circ}C$

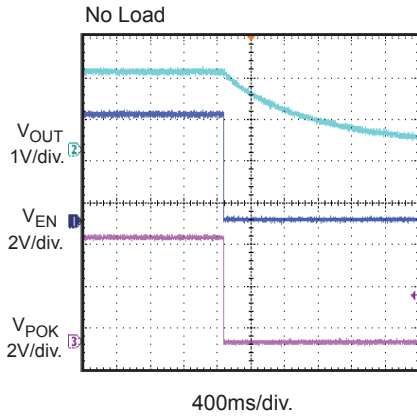
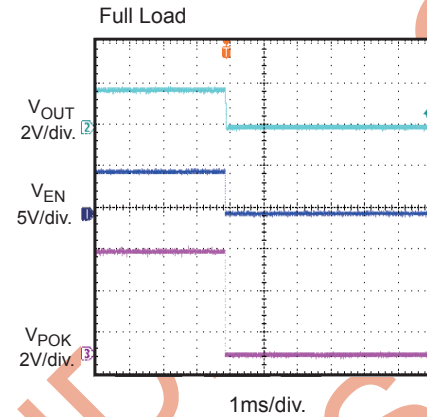
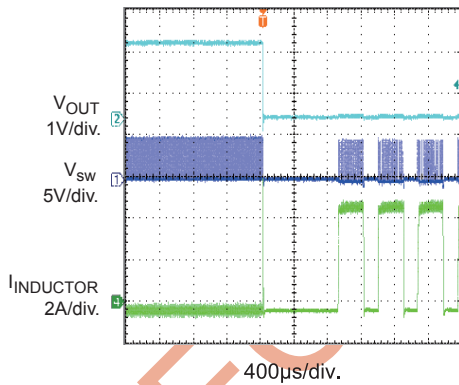
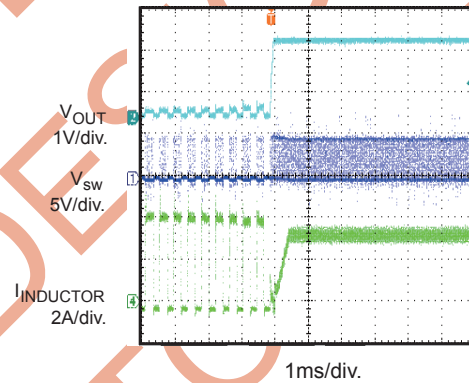
**Note:**4) Production test at  $+25^{\circ}C$ . Specifications over the temperature range are guaranteed by design and characterization.**PIN FUNCTIONS**

Pin #	Name	Description
6	POK	Open Drain Power Good Output. "HIGH" output indicates $V_{OUT}$ is within $\pm 10\%$ window. "LOW" output indicates $V_{OUT}$ is out of $\pm 10\%$ window. POK is pulled down in shutdown.
4, 7	IN	Input Supply. A decoupling capacitor to ground is required close to these pins to reduce switching spikes.
3, 8	SW	Switch Node Connection to the Inductor. These pins connect to the internal high and low-side power MOSFET switches. All SW pins must be connected together externally.
2, 9	GND	Ground. Connect these pins with larger copper areas to the negative terminals of the input and output capacitors.
5	BS	Bootstrap. A capacitor between this pin and SW provides a floating supply for the high-side gate driver.
1	FB	Feedback. This is the input to the error amplifier. An external resistive divider connects this pin between the output and GND. The voltage on the FB pin to the internal 0.8V reference to set the regulation voltage.
10	EN/SYNC	Enable and Frequency Synchronization Input Pin. Forcing this pin below 0.4V shuts down the part. Forcing this pin above 1.6V turns on the part. Applying a 1MHz to 2MHz clock signal to this pin synchronizes the internal oscillator frequency to the external clock.

**TYPICAL PERFORMANCE CHARACTERISTICS**
 $V_{IN} = 5V$ ,  $V_O = 1.8V$ ,  $L1 = 10\mu H$ ,  $C2 = 47\mu F$ ,  $T_A = +25^\circ C$ , unless otherwise noted.

**Steady State Operation**

**Steady State Operation**

**Steady State Operation**

**Load Transient**

**Start-up through Enable**

**Start-up through Enable**


**TYPICAL PERFORMANCE CHARACTERISTICS (continued)**
 $V_{IN} = 5V, V_O = 1.8V, L1 = 10\mu H, C2 = 47\mu F, T_A = +25^\circ C$ , unless otherwise noted.

**Shut-down through Enable**

**Shut-down through Enable**

**Short Circuit Protection**
 $V_{IN}=5V, V_{OUT}=1.8V$ 

**Short Circuit Recovery**
 $V_{IN}=5V, V_{OUT}=1.8V$ 


FUNCTIONAL BLOCK DIAGRAM

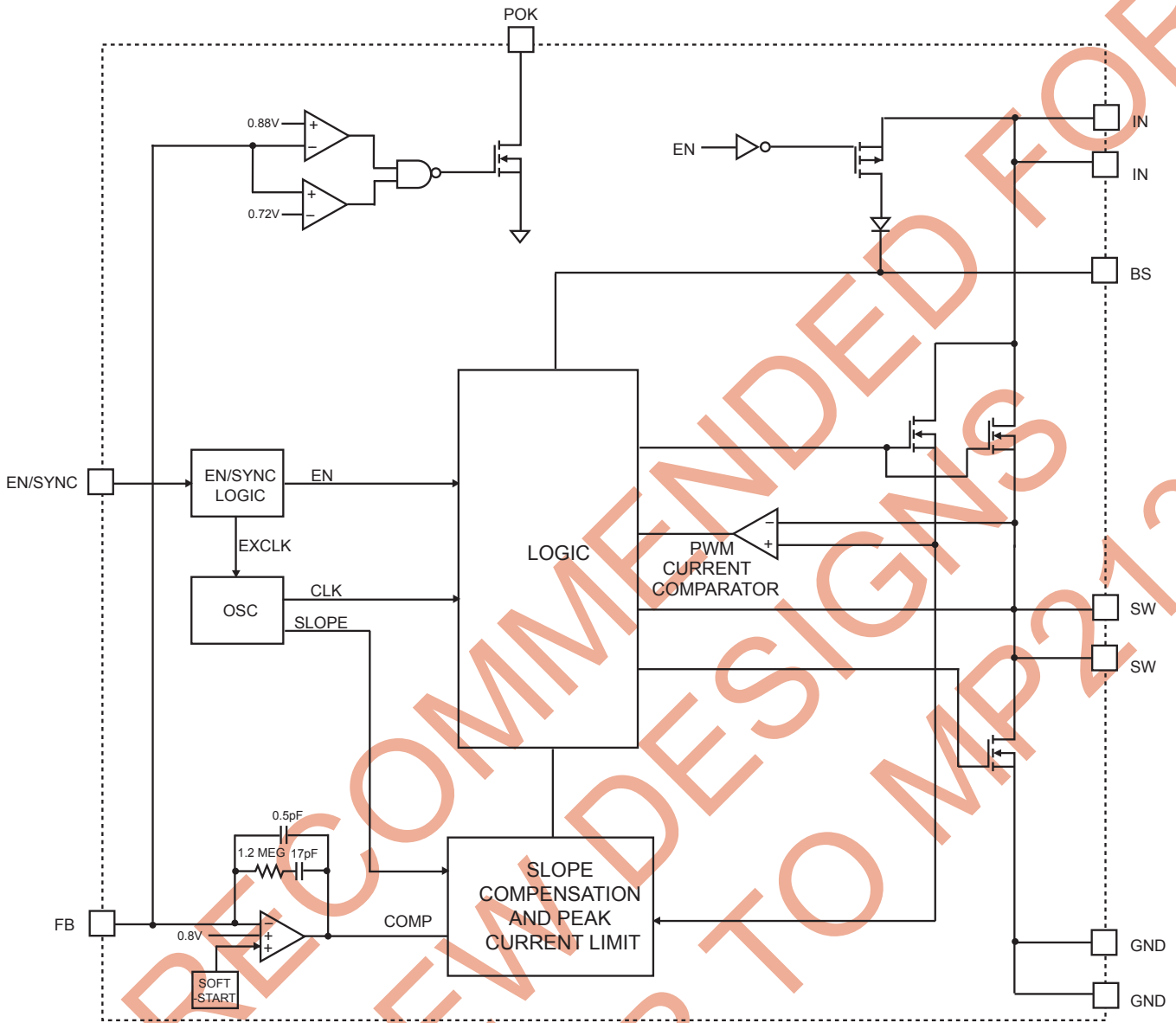


Figure 1—Functional Block Diagram

## FUNCTIONAL DESCRIPTION

### PWM Control

The MP28115 is a constant frequency peak-current-mode control PWM switching regulator. Refer to the functional block diagram, The high side N-Channel DMOS power switch is turns on at the beginning of each clock cycle. The current in the inductor increases until the PWM current comparator trips to turn off the high side DMOS switch. The peak inductor current at which the current comparator shuts off the high side power switch is controlled by the COMP voltage at the output of feedback error amplifier. The transconductance from the COMP voltage to the output current is set at 11.25A/V.

This current-mode control greatly simplifies the feedback compensation design by approximating the switching converter as a single-pole system. Only Type II compensation network is needed, which is integrated into the MP28115. The loop bandwidth is adjusted by changing the upper resistor value of the resistor divider at the FB pin. The internal compensation in the MP28115 simplifies the compensation design, minimizes external component counts, and keeps the flexibility of external compensation for optimal stability and transient response.

### Enable and Frequency Synchronization (EN/SYNC PIN)

This is a dual function input pin. Forcing this pin below 0.4V for longer than 4 $\mu$ s shuts down the part; forcing this pin above 1.6V for longer than 4 $\mu$ s turns on the part. Applying a 1MHz to 2MHz clock signal to this pin also synchronizes the internal oscillator frequency to the external clock. When the external clock is used, the part turns on after detecting the first few clocks regardless of duty cycles. If any ON or OFF period of the clock is longer than 4 $\mu$ s, the signal will be intercepted as an enable input and disables the synchronization.

### Soft-Start and Output Pre-Bias Startup

When the soft-start period starts, an internal current source begins charging an internal soft-start capacitor. During soft-start the voltage on the soft-start capacitor is connected to the non-inverting input of the error amplifier. The soft-start period lasts until the voltage on the soft-start capacitor exceeds the reference voltage of 0.8V.

At this point the reference voltage takes over at the non-inverting error amplifier input. The soft-start time is internally set at 120 $\mu$ s. If the output of the MP28115 is pre-biased to a certain voltage during startup, the IC will disable the switching of both high-side and low-side switches until the voltage on the internal soft-start capacitor exceeds the sensed output voltage at the FB pin.

### Over current Protection

The MP28115 offers cycle-to-cycle current limiting for both high-side and low-side switches. The high-side current limit is relatively constant regardless of duty cycles. When the output is shorted to ground, causing the output voltage to drop below 70% of its nominal output, the IC is shut down momentarily and begins discharging the soft start capacitor. It will restart with a full soft-start when the soft-start capacitor is fully discharged. This hiccup process is repeated until the fault is removed.

### Power Good Output (POK PIN)

The MP28115 includes an open-drain Power Good output that indicates whether the regulator output is within  $\pm 10\%$  of its nominal output. When the output voltage moves outside this range, the POK output is pulled to ground. There is a 30 $\mu$ s deglitch time when the POK output change its state.

### Bootstrap (BST PIN)

The gatedriver voltage for the high-side N-channel DMOS power switch is supplied by a bootstrap capacitor connected between the BS and SW pins. When the low-side switch is on, the capacitor is charged through an internal boost diode. When the high-side switch is on and the low-side switch turns off, the voltage on the bootstrap capacitor is boosted above the input voltage and the internal bootstrap diode prevents the capacitor from discharging.

## APPLICATION INFORMATION

### Output Voltage Setting

The external resistor divider sets the output voltage (see Page 1). The feedback resistor R1 also sets the feedback loop bandwidth with the internal compensation (refer to description function). The relation between R1 and feedback loop bandwidth ( $f_c$ ), output capacitance ( $C_o$ ) is as following:

$$R1(k\Omega) = \frac{1.24 \times 10^6}{f_c(KHz) \times C_o(\mu F)}$$

The feedback loop bandwidth ( $f_c$ ) is no higher than 1/10 of switching frequency of MP2119. In the case of ceramic capacitor as  $C_o$ , it's usually set to be in the range of 50 kHz and 150 kHz for optimal transient performance and good phase margin. If electrolytic capacitor is used, the loop bandwidth is no higher than 1/4 of the ESR zero frequency ( $f_{ESR}$ ).  $f_{ESR}$  is given by:

$$f_{ESR} = \frac{1}{2\pi \times R_{ESR} \times C_o}$$

For example, choose  $f_c=70$  kHz with ceramic capacitor,  $C_o=47\mu F$ , R1 is estimated to be 400k $\Omega$ . R2 is then given by:

$$R2 = \frac{R1}{\frac{V_{OUT}}{0.8V} - 1}$$

**Table 1—Resistor Selection vs. Output Voltage Setting**

$V_{OUT}$ (V)	R1 (k $\Omega$ )	R2 (k $\Omega$ )	L ( $\mu H$ )	$C_{OUT}$ (ceramic)
1.2	400	806	0.47 $\mu H$ -1 $\mu H$	47 $\mu F$
1.5	400	453	0.47 $\mu H$ -1 $\mu H$	47 $\mu F$
1.8	400	316	0.47 $\mu H$ -1 $\mu H$	47 $\mu F$
2.5	400	187	0.47 $\mu H$ -1 $\mu H$	47 $\mu F$
3.3	400	127	0.47 $\mu H$ -1 $\mu H$	47 $\mu F$

### Inductor Selection

A 0.47 $\mu H$  to 1 $\mu H$  inductor with DC current rating at least 25% higher than the maximum load current is recommended for most applications. For best efficiency, the inductor DC resistance shall be <10m $\Omega$ . See Table 2 for recommended inductors and manufacturers. For most designs, the inductance value can be derived from the following equation:

$$L = \frac{V_{OUT} \times (V_{IN} - V_{OUT})}{V_{IN} \times \Delta I_L \times f_{OSC}}$$

where  $\Delta I_L$  is Inductor Ripple Current. Choose inductor ripple current approximately 30% of the maximum load current, 4A.

The maximum inductor peak current is:

$$I_{L(MAX)} = I_{LOAD} + \frac{\Delta I_L}{2}$$

Under light load conditions, larger inductance is recommended for improved efficiency.

### Input Capacitor Selection

The input capacitor reduces the surge current drawn from the input and the switching noise from the device. The input capacitor impedance at the switching frequency shall be less than input source impedance to prevent high frequency switching current passing to the input source. Ceramic capacitors with X5R or X7R dielectrics are highly recommended because of their low ESR and small temperature coefficients. For most applications, a 47 $\mu F$  capacitor is sufficient.

**Table 2—Suggested Surface Mount Inductors**

Manufacturer	Part Number	Inductance ( $\mu H$ )	Max DCR (m $\Omega$ )	Current Rating (A)	Dimensions L x W x H (mm3)
<b>Würth Electronics</b>					
	744310055	0.55	4.5	14	7×6.9×3
	744310095	0.95	7.4	11	7×6.9×3
<b>TOKO</b>					
	B1015AS-1R0N	1	11	6.9	8.4×8.3×4



### Output Capacitor Selection

The output capacitor keeps output voltage ripple small and ensures a stable regulation loop. The output capacitor impedance shall be low at the switching frequency. Ceramic capacitors with

X5R or X7R dielectrics are recommended. The output ripple  $\Delta V_{OUT}$  is approximately:

$$\Delta V_{OUT} \leq \frac{V_{OUT} \times (V_{IN} - V_{OUT})}{V_{IN} \times f_{OSC} \times L} \times \left( ESR + \frac{1}{8 \times f_{OSC} \times C_3} \right)$$

### External Schottky Diode

For this part, an external schottky diode is recommended to be placed close to "SW" and "GND" pins, especially when the output current is larger than 2A.

With the external schottky diode, the voltage spike and negative kick on "SW" pin can be minimized; moreover, the conversion efficiency can also be improved a little.

For the external schottky diode selection, it's noteworthy that the maximum reverse voltage rating of the external diode should be larger than the maximum input voltage. As for the current rating of this diode, 0.5A rating should be sufficient.

### PCB Layout Guide

PCB layout is very important to achieve stable operation. It is highly recommended to duplicate EVB layout for optimum performance. If change is necessary, please follow these guidelines as follows. Here, the typical application circuit is taken as an example to illustrate the key layout rules should be followed.

- 1) For MP28115, a PCB layout with more than (or) four layers is recommended.
- 2) The high current paths (GND, IN and SW) should be placed very close to the device with short, direct and wide traces.
- 3) For MP28115, two input ceramic capacitors (2 x (10 $\mu$ F~22 $\mu$ F)) are strongly recommended to be placed on both sides of the MP28115 package and keep them as close as possible to the "IN" and "GND" pins. If this placement is not possible, a ceramic cap (10 $\mu$ F~47 $\mu$ F) must be placed across PIN7-"IN" and PIN9-"GND" since the internal Vcc supply is powered from PIN7, and good decoupling is needed to avoid any interference issues.
- 4) The external feedback resistors shall be placed next to the FB pin. Keep the FB trace as short as possible. Don't place test points on FB trace if possible.
- 5) Keep the switching node SW short and away from the feedback network.

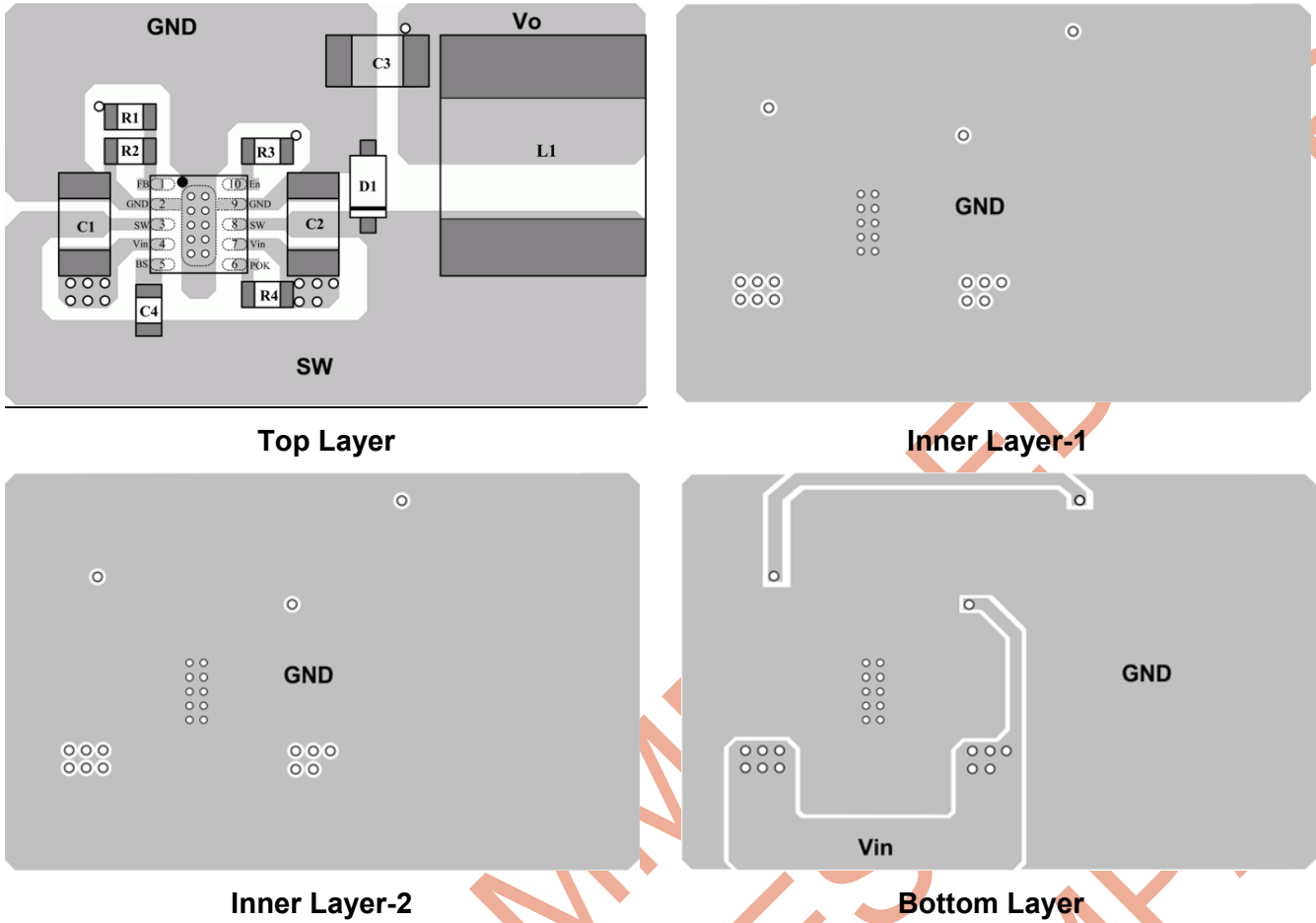


Figure 2— Recommended PCB Layout of MP28115

TYPICAL APPLICATION CIRCUIT

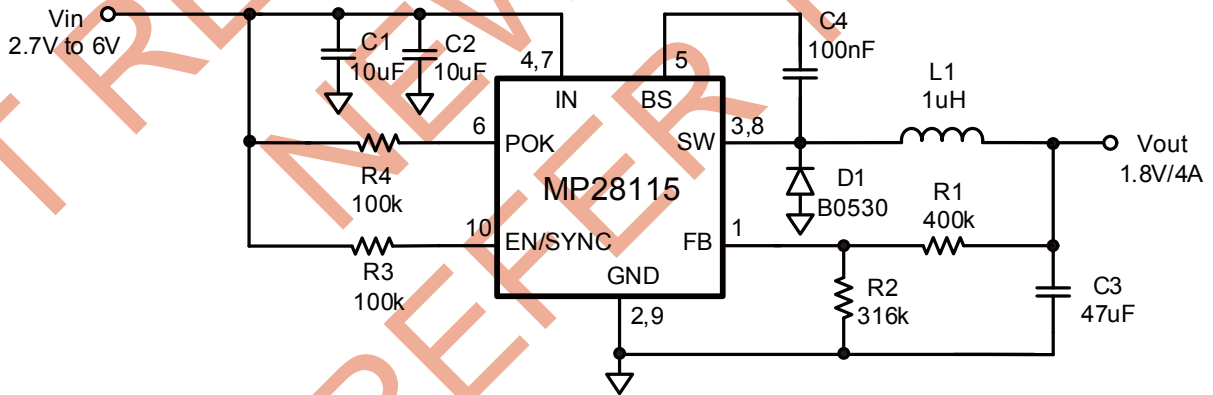
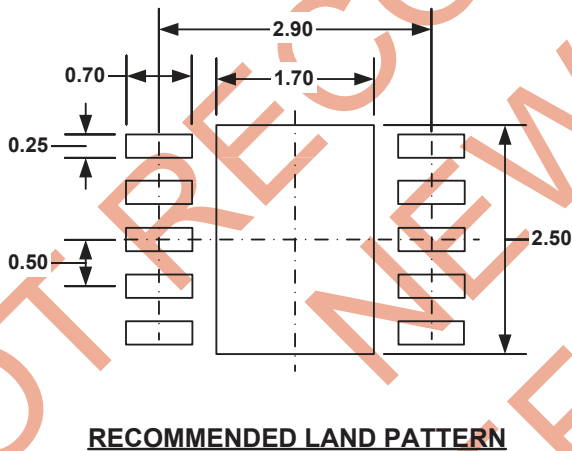
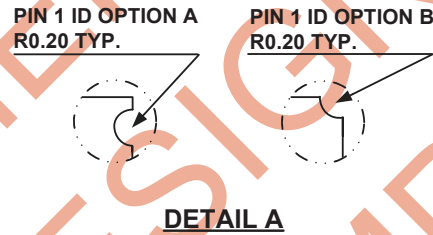
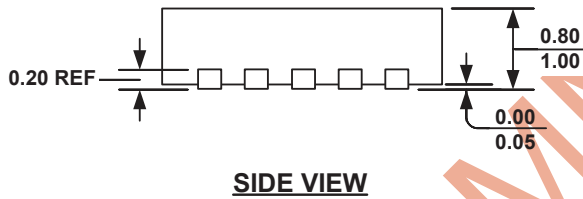
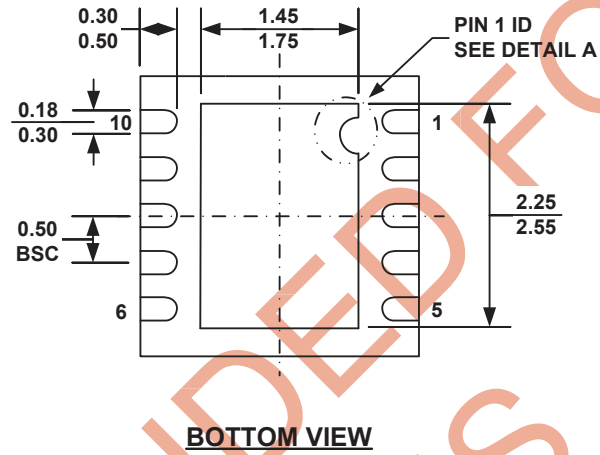
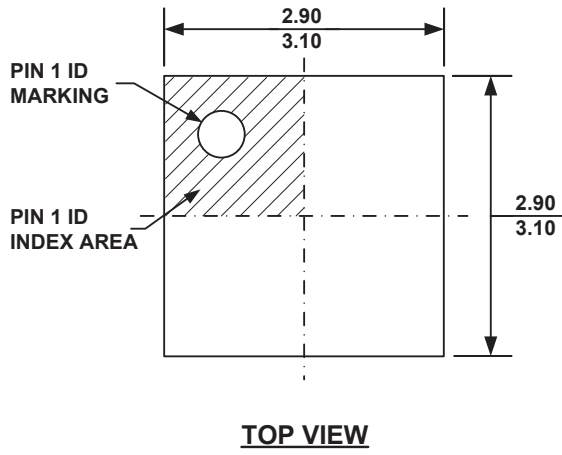


Figure 3— Typical Application Circuit of MP28115

**PACKAGE INFORMATION**
**3mm x 3mm QFN10**

**NOTE:**

- 1) ALL DIMENSIONS ARE IN MILLIMETERS.
- 2) EXPOSED PADDLE SIZE DOES NOT INCLUDE MOLD FLASH.
- 3) LEAD COPLANARITY SHALL BE 0.10 MILLIMETER MAX.
- 4) DRAWING CONFORMS TO JEDEC MO-229, VARIATION VEED-5.
- 5) DRAWING IS NOT TO SCALE.

**NOTICE:** The information in this document is subject to change without notice. Users should warrant and guarantee that third party Intellectual Property rights are not infringed upon when integrating MPS products into any application. MPS will not assume any legal responsibility for any said applications.