



Summary

[Request a quote](#)

[Catalog](#)

Coax	1
Socket / Receptacle	Socket / Receptacle - Fixed Panel Front Mounted
Locking system	Threaded

Technical details

Electrical Configuration

Coax	1
Contact Termination Coax	Solder
Insert configuration value	3.25 - 1 Coax (50 Ohm)
Contact Type	Solder

Form & Material

Shell style / Model id	HVP.03 - Fixed receptacle, round flange, nut fixing, vacuumtight
Socket / Receptacle	Fixed Panel Front Mounted
Housing material	Brass (chrome plated [SAE AMS 2460]) shell and collet nut, nickel plated [SAE AMS QQ N 290] brass latch sleeve and mid pieces
Locking system	Threaded
Keying	3 keys (alpha=42, gamma=30, plug: male contacts, receptacle: female contacts)
Variant	Watertight / Vacuum-tested unmated (connector to device)
Weight	4.32 g

https://www.lemo.com/int_en/hvp-03-250-cllpv.html

LEMO products and services are provided "as is". LEMO makes no warranties or representations with regard to LEMO product & services or use of them, express, implied or statutory, including for accuracy, completeness, or security. The user is fully responsible for his products and applications using LEMO components.

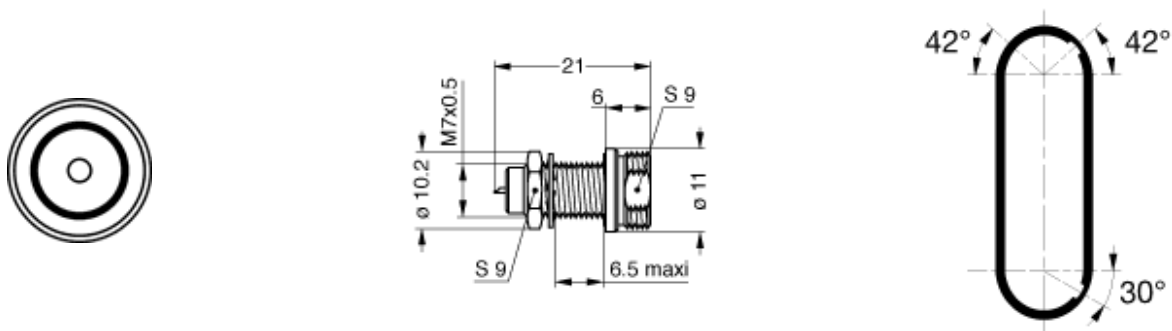
Environment

Environmental protection	Hermetic unmated
Minimal temperature	-20°C / +100°C
Climatical Category	20/200/21
Humidity (max)	<=95% [at 60 deg C /140 F]
Shielding (min)	100 dB (10 MHz)
Shielding (min)	80 dB (1 GHz)
Pressure	60 bars (120 bars with LEMO cable assembly)
R leak (He) (max)	0.0000001 mbar*l/s (if vacuum-tested)
Salt Spray Corrosion	>1000 hr

Cable fixation

Cable termination protection	Standard back nut (no additional protection)
Fixation type	Cable collet

Drawings



Dimensions

	A	B	e	L	E	M	S1	S2
mm.	11	10.2	M7x0.5	21	6.5	6	9	9
in.	0.43	0.4		0.83	0.26	0.24	0.35	0.35

https://www.lemo.com/int_en/hvp-03-250-cllpv.html

LEMO products and services are provided "as is". LEMO makes no warranties or representations with regard to LEMO product & services or use of them, express, implied or statutory, including for accuracy, completeness, or security. The user is fully responsible for his products and applications using LEMO components.