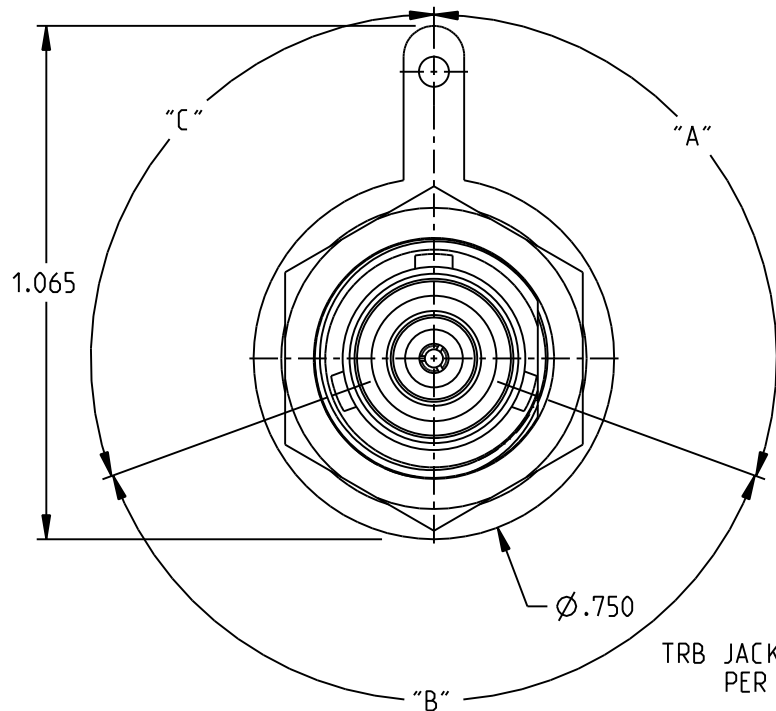
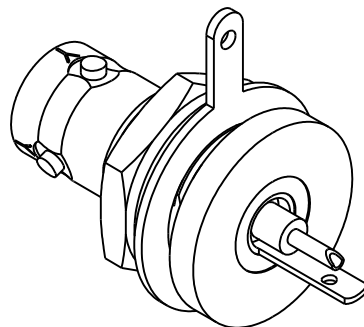
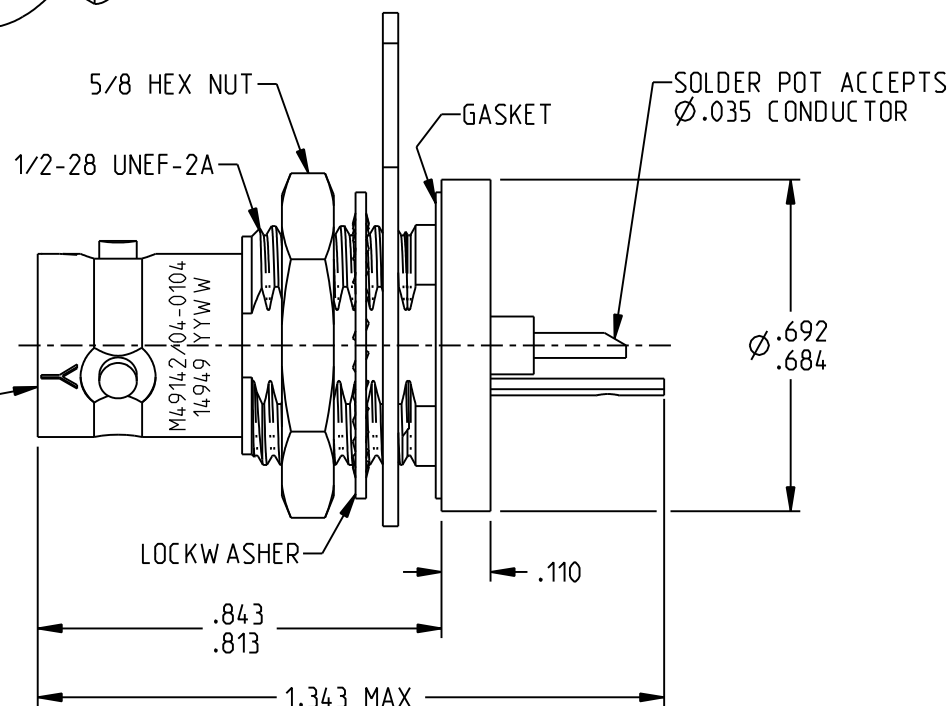


MILITARY PART NO.	NSN	"A°"	"B°"	"C°"
M49142/04-0004	5935013185146	120	120	120
M49142/04-0104	5935014828780	110	140	110
M49142/04-0204	-	135	135	90

REV	ECO	DATE
J	54813	12/12/2013
K	57958	7/13/2021
L	58909	1/18/2024



TRB JACK INTERFACE  
PER MIL-STD-348  
FIGURE 201-2



M49142/04-0104 SHOWN

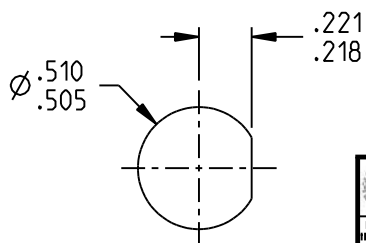
NOTES: UNLESS OTHERWISE SPECIFIED.

1. MATERIAL & FINISH:

- 1.1 BODY: SILVER PLATED BRASS
- 1.2 DIELECTRICS: PTFE (TEFLON)
- 1.3 INNER SHIELD: GOLD PLATED BRASS
- 1.4 CENTER CONTACT: GOLD PLATED BERYLLIUM COPPER
- 1.5 GASKET: SILICONE RUBBER
- 1.6 MOUNTING HARDWARE: SILVER PLATED COPPER ALLOY

2. ELECTRICAL:

- 2.1 FREQUENCY (MAX): 500 MHZ
- 2.2 IMPEDANCE: NON-CONSTANT



RECOMMENDED  
PANEL CUTOUT

<p>NOTICE: The information in this drawing is PROPRIETARY and must not be used without the permission of Cinch Connectivity Solutions. It may contain data whose export is restricted. Verify status prior to exporting.</p> <p>INTERPRET DRAWING IN ACCORDANCE WITH ASME Y14.5-2018</p>	<p>Model No: M49142/04-0X0X</p>	<p>TROMPETER</p>			
	<p>RoHS2 <input checked="" type="checkbox"/></p> <p>2011/65/EU</p>	<p>Cage Code 14949</p>	<p>Title: JACK, TRB SOLDER POT, BULKHEAD JACK</p>		
	<p>UNLESS OTHERWISE SPECIFIED UNITS: INCH</p> <p>ENGINEER: C. MONAHAN</p>	<p>3RD ANGLE PROJECTION</p>	<p>Drawing No. 3-0328</p>	<p>REV. L</p>	
	<p>ANGLES ±2°</p>	<p>Date: 1/18/2024</p>	<p>Size A</p>	<p>DO NOT SCALE DRAWING</p>	<p>Workshoping Sid: TFS-4</p>