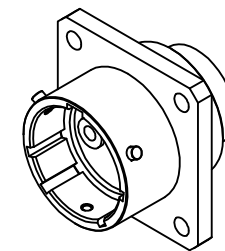
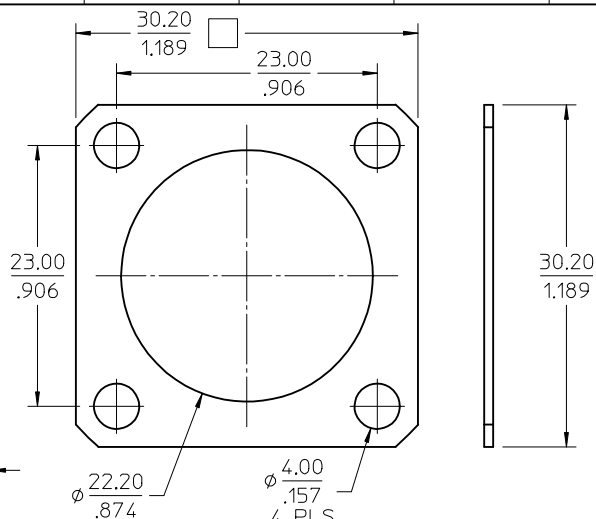
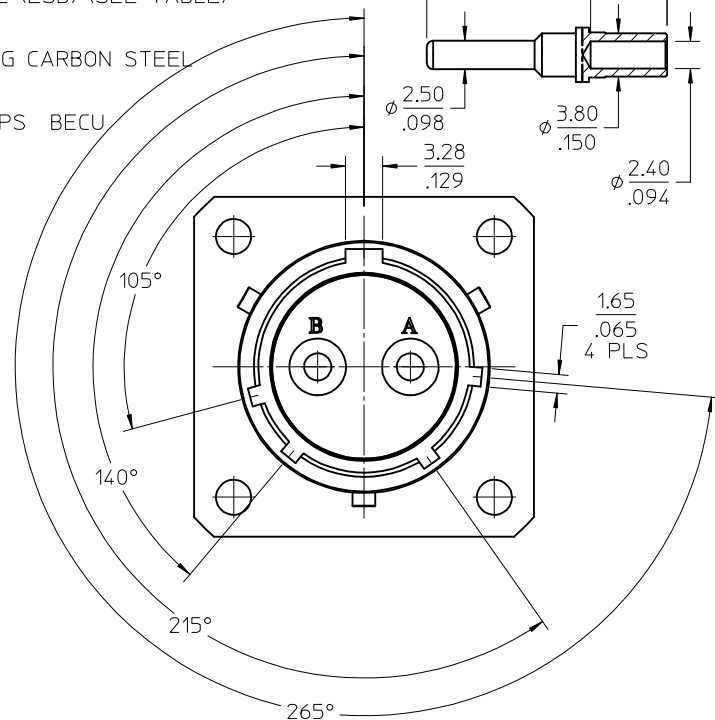


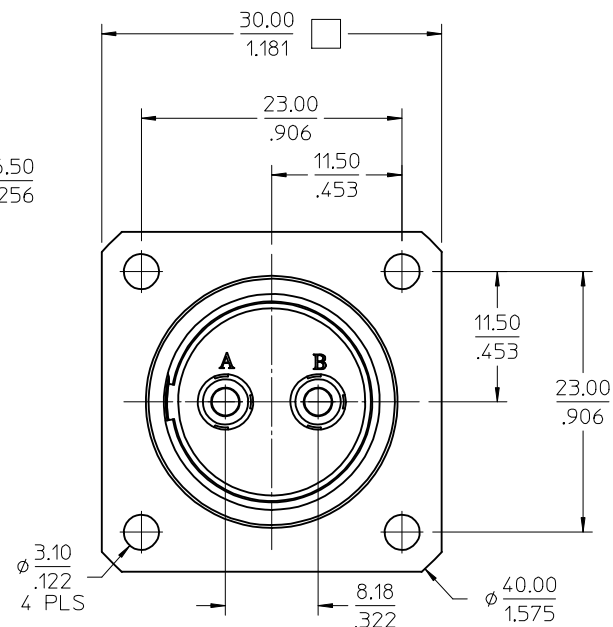
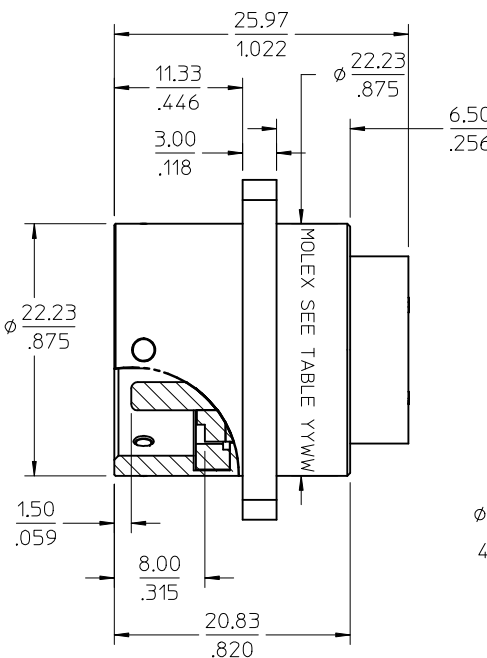
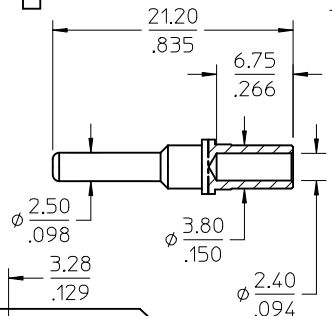
MATERIALS AND FINISHES:
 BODY BRASS, PLATED BRIGHT TIN OVER NICKEL
 INSULATOR PBT 30% GF (BLACK)
 RIVETS STAINLESS STEEL, PASSIVATED
 CONTACTS BRASS
 PLATED GOLD (SEE TABLE)
 ACCEPT WIRE AWG 14 TO 18

SEALS/GASKET SILICONE RUBBER
 EMI GASKET EPDM (SEE TABLE)
 DUST CAP PE (ESD) (SEE TABLE)

RETAINING RING CARBON STEEL
 RETAINING CLIPS BECU



AS SHIPPED



CONTACT SHOWN INSTALLED IN THIS VIEW (FOR REFERENCE ONLY)

SEE SHEET 2 FOR PART NUMBER AND MARKING DETAILS

SUGGESTED CONTACT CRIMP SIZE USING INDENT CRIMP TOOL:
 AWG 14: .085 SETTING WITH ASTRO 615702
 AWG 18: .072 SETTING WITH ASTRO 612548

CHG: ADD -8042 ADD SHEET 2 EC NO: URF2014-0477 DRWN: JWIENER 2014/02/18 CHKD: SSS 2014/02/18 APPR: WSPINK 2014/02/20 A4	QUALITY SYMBOLS ▽=0 ▽=0	GENERAL TOLERANCES (UNLESS SPECIFIED)		DIMENSION STYLE MM/IN		SCALE METRIC	DESIGN UNITS METRIC	THIRD ANGLE PROJECTION			
		4 PLACES ± --- ± ---	3 PLACES ± --- ± ---	2 PLACES ± --- ± ---	1 PLACE ± --- ± ---	DRAWN BY JWIENER	DATE 2013/01/10	TITLE 2 PIN POWER CONNECTOR JACK FLANGE MOUNT EWR-5103 POWER-J/FLG			
		ANGULAR ± 2 °				APPROVED BY JWIENER	DATE 2013/01/11	MOLEX INCORPORATED			
		DRAFT WHERE APPLICABLE MUST REMAIN WITHIN DIMENSIONS				MATERIAL NO. SEE TABLE	DATE	DOCUMENT NO. SD-73415-804	SHEET NO. 1 OF 2		

THIS DRAWING CONTAINS INFORMATION THAT IS PROPRIETARY TO MOLEX INCORPORATED AND SHOULD NOT BE USED WITHOUT WRITTEN PERMISSION

13

12

11

10

9

8

7

6

5

4

3

2

1

J

J

I

I

H

H

G

G

F

F

E

E

D

D

C

C

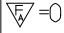
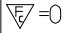
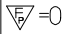
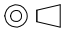

B

B

A

A

73415-8042	N/A	NONE
73415-8041	8 μ -in MIN	CONTACTS, EMI GASKET, CAP
73415-8040	30 μ -in MIN	CONTACTS, EMI GASKET, CAP
PART NO.	GOLD	COMPONENTS SHIPPED WITH ASSEMBLY
& MARKING	THICKNESS	ALL DASH NUMBERS INCLUDE BODY SUBASSEMBLY

CHG: SEE SHEET 1 EC NO: URF2014-0477 DRWN:JWIENER 2014/02/18 CHKD:SSS 2014/02/18 APPR:WSP/INK 2014/02/20	DESCRIPTION REV	QUALITY SYMBOLS	GENERAL TOLERANCES (UNLESS SPECIFIED)	DIMENSION STYLE	SCALE	DESIGN UNITS	THIRD ANGLE PROJECTION
		 =0  =0  =0	MM/IN	MM/IN	METRIC	 THIRD ANGLE PROJECTION	
			4 PLACES ± --- ± ---	DRAWN BY DATE	TITLE		
			3 PLACES ± --- ± ---	JWIENER 2013/01/10	2 PIN POWER CONNECTOR		
			2 PLACES ± --- ± ---	CHECKED BY DATE	JACK FLANGE MOUNT		
			1 PLACE ± --- ± ---	SSS 2013/01/10	EWR-5103 POWER-J/FLG		
			0 PLACE ± --- ± ---	APPROVED BY DATE			
				JWIENER 2013/01/11			
			ANGULAR ± 2 °	MATERIAL NO.	DOCUMENT NO.	SHEET NO.	
			DRAFT WHERE APPLICABLE MUST REMAIN WITHIN DIMENSIONS	SEE TABLE	SD-73415-804	2 OF 2	
				SIZE	THIS DRAWING CONTAINS INFORMATION THAT IS PROPRIETARY TO MOLEX INCORPORATED AND SHOULD NOT BE USED WITHOUT WRITTEN PERMISSION		

12

11

10

9

8

7

6

5

4

3

2

1