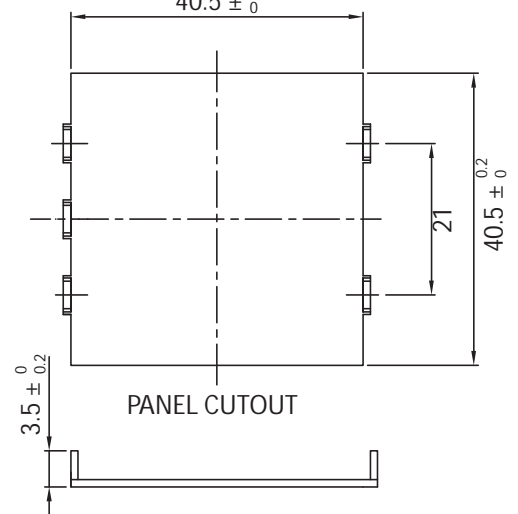
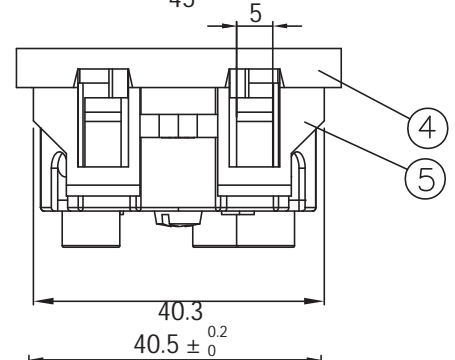
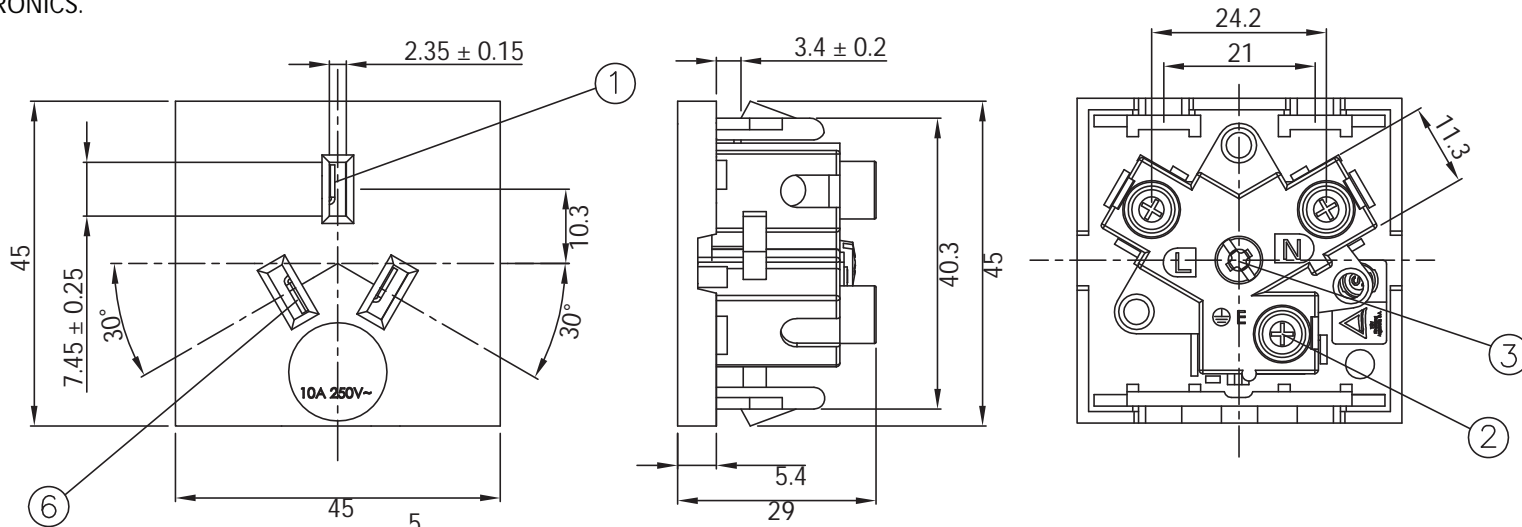


THESE DRAWINGS ARE THE PROPERTY OF QUALTEK ELECTRONICS AND NOT TO BE REPRODUCED FOR OR COMMUNICATED TO A THIRD PARTY WITHOUT THE EXPRESS WRITTEN PERMISSION OF AN OFFICER OF QUALTEK ELECTRONICS.

REVISION			
REV.	DESCRIPTION	DATE	APPROVED



NOTES:

TOP COVER COLOR: BLACK  
 BODY INSULATOR COLOR: BLACK  
 RATING: 10A 250V AC  
 APPROVALS: TUV  
 PANEL THICKNESS: 3.5mm  
 RoHS COMPLIANT

**CONTROLLED**

6	Brass t=0.5mm	2
5	Body Material PC Black Color	1
4	Cover Material PC Black Color	1
3	Screw N0.6-18 Nickel Plated	1
2	Screw M4*0.7mm Nickel Plated	3
1	Brass t=0.5mm	1

Dim range (mm)	Tolerance +/- (mm)	Qualtek Electronics Corp. PPC DIVISION		
		Part Number:	741W-F/01	RoHS Compliant
0-1	0.15	Description: ARGENTINA AC RECEPTACLE		
1-6	0.20			
6-18	0.30	UNIT: mm		
18-50	0.50			
50-120	0.70	Drawn / Date	Checked / Date	Approved / Date
120-250	0.90	R.Nuti 09-28-20	09-28-20	LY / 09-28-20
250-500	1.20			