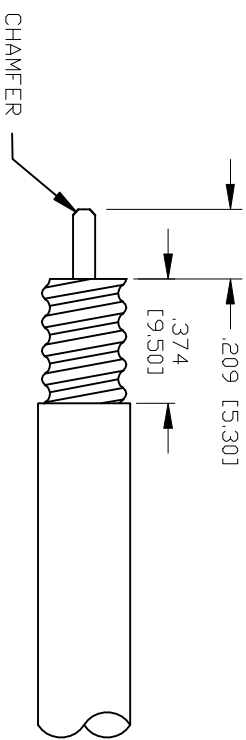
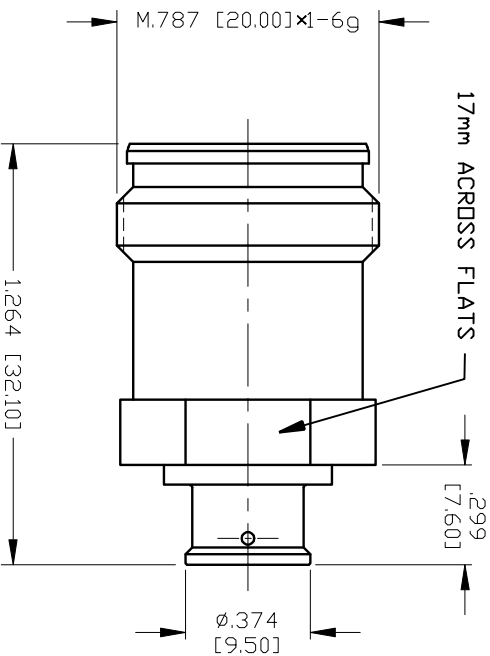


PART NO. **RFD-43RDCP-HPL**

REV	DESCRIPTION	DWN	DATE	APPROVED
—	REL	DW	10/15/20	JDM



RECOMMENDED STRIPPING DIMENSIONS
 USE COMPATIBLE TRIM TOOL SUCH AS MCPT-1412

SPECIFICATIONS:

INTERFACE: IEC61169-54
 IMPEDANCE: 50 Ohms
 FREQUENCY RANGE: 0-6 GHz
 RETURN LOSS: 30 dB DC-2500 MHz
 RETURN LOSS: 27 dB 2500-4000 MHz
 RETURN LOSS: 21 dB 4000-5000 MHz
 RETURN LOSS: 19 dB 5000-6000 MHz
 3rd ORDER IM: S-161 dbc @ 700 MHz & 1900 MHz
 3rd ORDER IM TEST METHOD: 2x43 dbm CARRIERS
 DC TEST VOLTAGE: 2500 V @ SEA LEVEL
 TEMPERATURE RANGE: -55°C TO 90°C
 MATING CYCLES: >100
 COUPLING TORQUE: > 3.7 FT-LB (≥5 Nm)
 NET WEIGHT: 0.075 lb
 CERTIFICATIONS: RoHS
 ENVIRONMENTAL: IEC 60529, IPX8 (2.5 BAR, 1 HOUR)
 IEC 61169-1 CLAUSE 9.4.6 48 HOUR SALT MIST, 35°C
 USED ON: SPP-250-LPP, SPO-250, SCF14-50J, SPF-250,
 FSJ1-50A, SCF14-50J, PTS1-50-P, TFT-401, EC1-50-HF

#	DESCRIPTION	QTY	MATERIAL	FINISH
5	GROUND RING	1	PHOSPHOR BRONZE	Cu50Zn ALLOY
4	SPACER	1	PTFE	NATURAL
3	INSULATOR	1	PTFE	NATURAL
2	CONTACT	1	PHOSPHOR BRONZE	SILVER
1	BODY	1	BRASS	Cu50Zn ALLOY

CUSTOMER
 OUTLINE DRAWING
 ALL DIMENSIONS
 ARE REFERENCE ONLY
 UNLESS OTHERWISE SPECIFIED:
 DIMENSIONS ARE IN INCHES
 AND [MILLIMETERS]

PROPRIETARY AND CONFIDENTIAL
 THIS DRAWING CONTAINS
 INFORMATION PROPRIETARY TO
 RF INDUSTRIES. ANY
 UNAUTHORIZED USE OF THIS
 DRAWING IS EXPRESSLY
 PROHIBITED WITHOUT WRITTEN
 PERMISSION FROM RF
 INDUSTRIES. ANY VIOLATION IS
 PUNISHABLE UNDER U.S.
 COPYRIGHT LAWS.

RF Industries
 DIVISION OF RF INDUSTRIES, LTD. (858) 549-6345 FAX
 7610 MIRAMAR RD.
 SAN DIEGO, CA 92126
 (858) 549-6340

4.3/10 FEMALE
 CAPTIVATED CONTACT, DIRECT SOLDER

SCALE: NTS	ENGINEERING ID: 2000055	SHEET 1 OF 1
------------	-------------------------	--------------