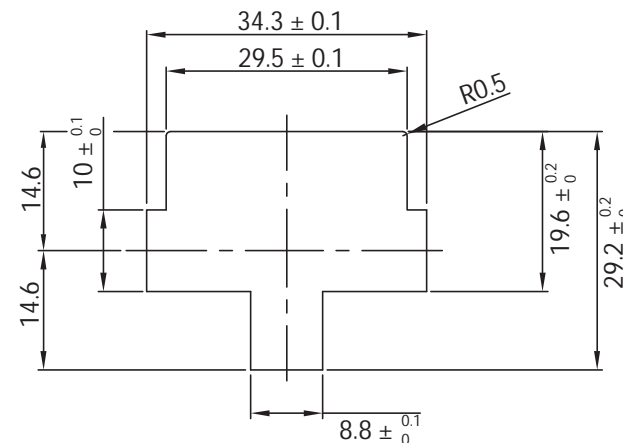
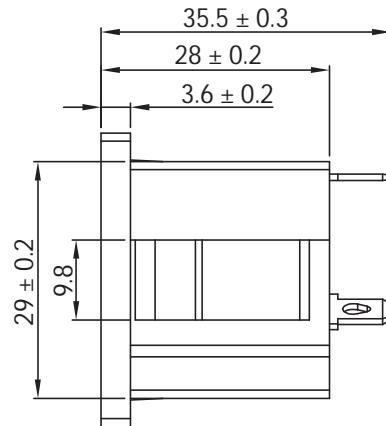
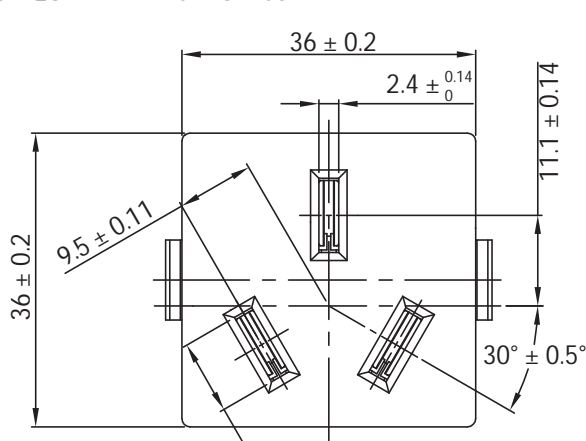
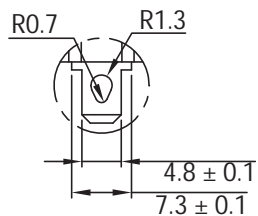
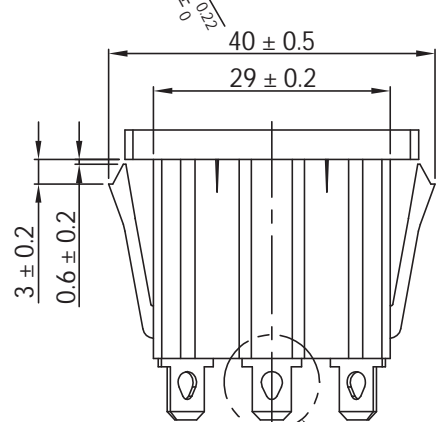


THESE DRAWINGS ARE THE PROPERTY OF QUALTEK ELECTRONICS AND NOT TO BE REPRODUCED FOR OR COMMUNICATED TO A THIRD PARTY WITHOUT THE EXPRESS WRITTEN PERMISSION OF AN OFFICER OF QUALTEK ELECTRONICS.

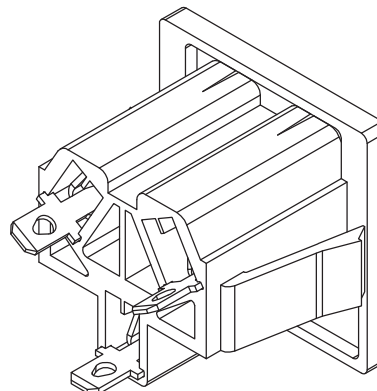
REVISION			
REV.	DESCRIPTION	DATE	APPROVED



PANEL CUTOUT



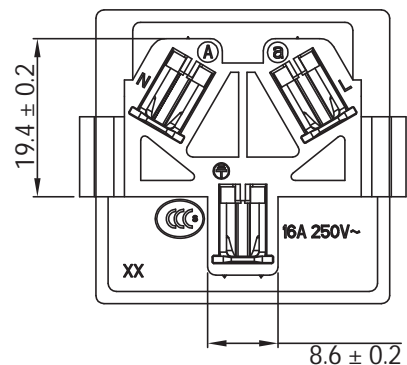
Detail A



NOTES:

- BODY MATERIAL: PC
- BODY COLOR: BLACK
- SOLDERING PIN: t=0.8mm TIN PLATED
- RATING: 16A 250V AC
- APPROVALS: CCC
- PANEL THICKNESS: 1.0mm ~ 2.5mm
- RoHS COMPLIANT

See Detail A



CONTROLLED

Dim range (mm)	Tolerance +/- (mm)	Qualtek Electronics Corp. PPC DIVISION		
		Part Number:	741W-H/02	RoHS Compliant
0-1	0.15	Description: CHINA AC RECEPTACLE		
1-6	0.20			
6-18	0.30			
18-50	0.50			
50-120	0.70			
120-250	0.90	UNIT: mm		
250-500	1.20	Drawn / Date	Checked / Date	Approved / Date
		R.Nuti 09-29-20	09-29-20	LY / 09-29-20