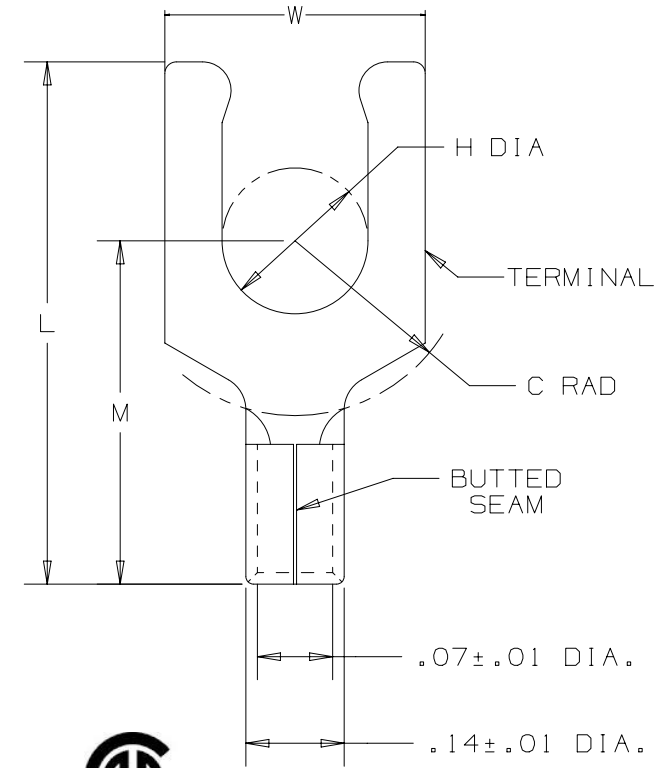


THIS COPY IS PROVIDED ON A RESTRICTED BASIS AND IS NOT TO BE USED IN ANY WAY DETRIMENTAL TO THE INTERESTS OF PANDUIT CORP.

PANDUIT PART #	STUD SIZE	DIMENSIONS - in. [mm]				
		L ± .02 [0,5]	W ± .01 [0,3]	C ± .02 [0,5]	M ± .02 [0,5]	H ± .01 [0,3]
E18-6LFB	#6	.68 [17,3]	.27 [6,9]	.22 [5,6]	.48 [12,2]	.15 [3,8]
E18-8LFB	#8	.74 [18,8]	.29 [7,4]	.23 [5,8]	.53 [13,5]	.16 [4,1]
E18-10LFB	#10	.74 [18,8]	.33 [8,4]	.23 [5,8]	.53 [13,5]	.19 [4,8]

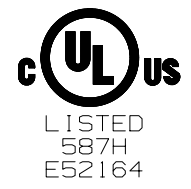
UL & CSA TOOLS
CT-100A CT-200 CT-600-A (CT-570CH) CT-1570 CT-2500 (CT-2570CH)

PANDUIT APPROVED TOOLS
CT-160 CT-260



NOTES:

- UL LISTED & CSA CERTIFIED FOR:
 - A. #22-18 AWG SOLID OR STRANDED COPPER WIRE
 - B. 302°F [150°C] MAX TEMP RATING
 - C. 2000 VOLTS MAX
- MATERIAL:
 - A. STAMPING - .032" [0,8] THK COPPER, TIN PLATED
- WIRE STRIP LENGTH: $9/32'' \begin{matrix} +1/32 \\ -0 \end{matrix}$ [7,1mm $\begin{matrix} +0,8 \\ -0 \end{matrix}$]
- SEE WWW.PANDUIT.COM FOR PACKAGE QUANTITIES
- DIMENSIONS IN BRACKETS ARE IN MILLIMETERS



TITLE		STRONGHOLD LOCKING FORK TERMINAL NON-INSULATED, BUTTED SEAM #22-18 AWG	
		CUSTOMER DRAWING	
ITEM REVISION NAME		00123SHS/00	
DATASET FILE NAME		00123SHS/00	
UNLESS OTHERWISE SPECIFIED, DIMENSIONAL TOLERANCES ARE: IN [mm]		MATERIAL: SEE NOTES	
.X ± .XX ±		.XXX ± ANGLES ±	
		THIRD ANGLE PROJECTION	
DRAWN BY		DRAWING NUMBER: SH41059	
DATE		SHT 1 OF 1	
CHK		SIZE	
JHNU		A	
2/18			
TMR			
NTS			

REV	DATE	BY	CHK	APR	DESCRIPTION	ECN
00	2/18	JHNU	TMR	RGB	RELEASED	00123SH

D10100DA/16