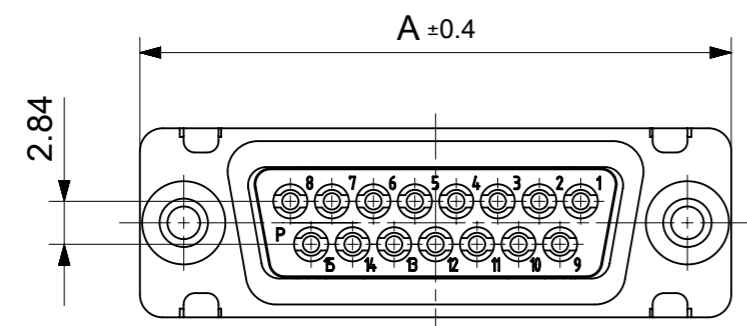
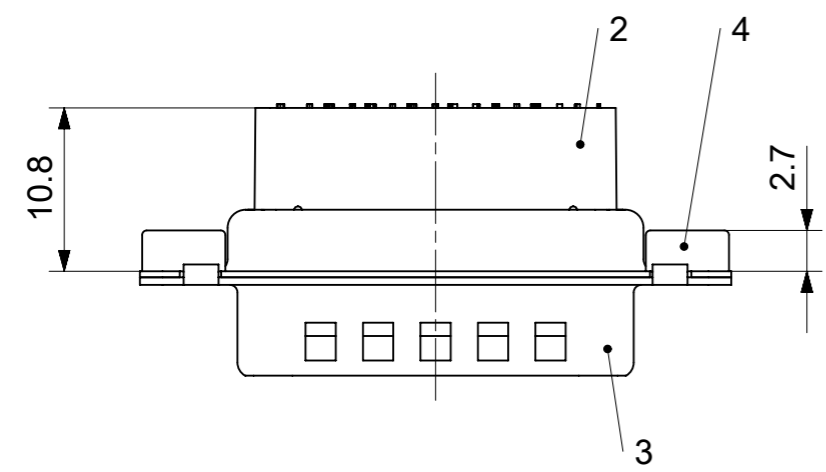
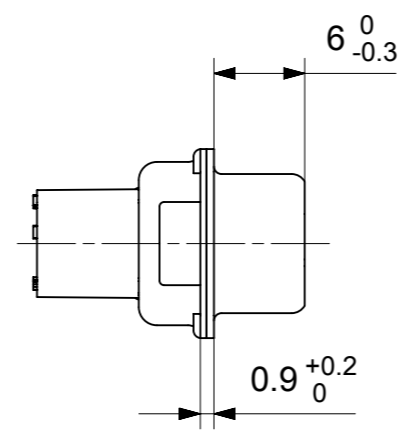
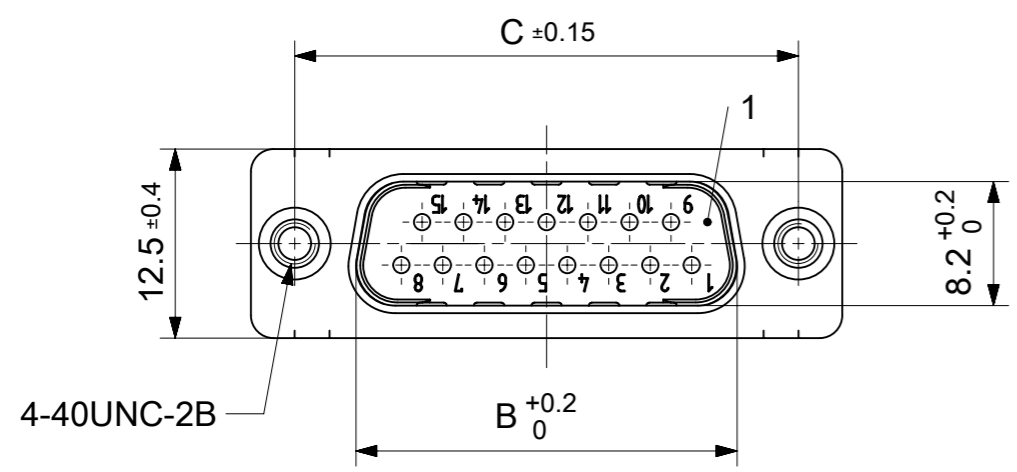


RoHS compliant  
by exemption



FCT Part number:  
Fy\*1)Txx\*2)P7-K120

e.g. FLT15P7-K120

\*1) y for series FL or FU

\*2) xx No. of contacts 09, 15, 25 or 37

Material Number	y*1)	xx*2)	A[mm]	B[mm]	C[mm]
1731090382	L	09	30.8	16.9	25
1731092197	U				
1731090775	L	15	39.1	25.2	33.3
1731092198	U				
1731090634	L	25	53	38.9	47.04
-	U				
1731090633	L	37	69.3	55.3	63.5
-	U				

Technical data for modification (FU)

Crimp contacts FK20P (AWG 20-24/1.3µm Au) included in delivery

No.	Pc.	Part	Type Description/Material	Surface plating/Color/Class
4	2	Clinch nut	FT 4-40 / Steel	tin plated
3	1	Shell	Steel	tin plated
2	1	Insulator rear part	PEI (-55°C to +130°C)	green
1	1	Insulator front part	PBT acc. UL94V-0	green

Technical data for modification (FL)

Crimp contacts not supplied with connector. Contacts must be ordered separately.

No.	Pc.	Part	Type Description/Material	Surface plating/Color/Class
4	2	Clinch nut	FT 4-40 / Steel	tin plated
3	1	Shell	Steel	tin plated
2	1	Insulator rear part	PA (-55°C to +115°C)	black
1	1	Insulator front part	PBT acc. UL94V-0	black

MEASUREMENTS WITHOUT TOLERANCE ACC TO ISO 2768-m

REPLACEMENT FOR DOCUMENT NUMBER: FyTxxP7-K120

FUNCTIONAL SYMBOLS	THIS DRAWING CONTAINS INFORMATION THAT IS PROPRIETARY TO MOLEX ELECTRONIC TECHNOLOGIES, LLC AND SHOULD NOT BE USED WITHOUT WRITTEN PERMISSION	CURRENT REV DESC:	<b>molex</b>
$\nabla_A = 0$ $\nabla_F = 0$ $\nabla_P = 0$	DIMENSION UNITS: mm SCALE: 2:1 GENERAL TOLERANCES (UNLESS SPECIFIED) ANGULAR TOL ± ° 4 PLACES ± 3 PLACES ± 2 PLACES ± 1 PLACE ± 0 PLACES ±		
DIVISIONAL SYMBOLS	DRAFT WHERE APPLICABLE MUST REMAIN WITHIN DIMENSIONS	INITIAL REVISION: DRWN: SKANDB 2022/03/21 APPR: MTEUBEL 2022/08/18	PRODUCT CUSTOMER DRAWING DOCUMENT NUMBER: 1731090382 DOC TYPE: PSD DOC PART: 000 REVISION: A
DOCUMENT STATUS: P1 RELEASE DATE: 2022/08/18 07:46:18	FIRST ANGLE PROJECTION	DRAWING: A3-SIZE	SERIES: 173109
		MATERIAL NUMBER: SEE TABLE	CUSTOMER: GENERAL MARKET
			SHEET NUMBER: 1 OF 1