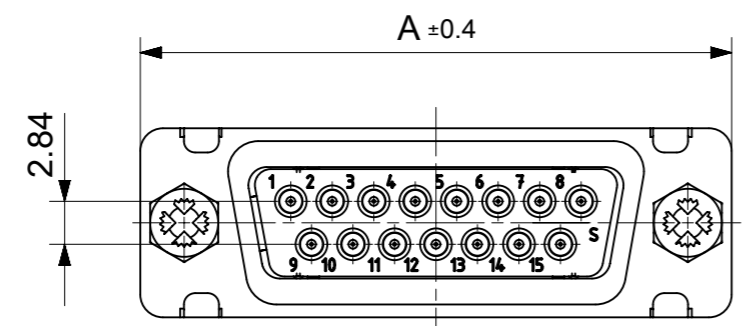
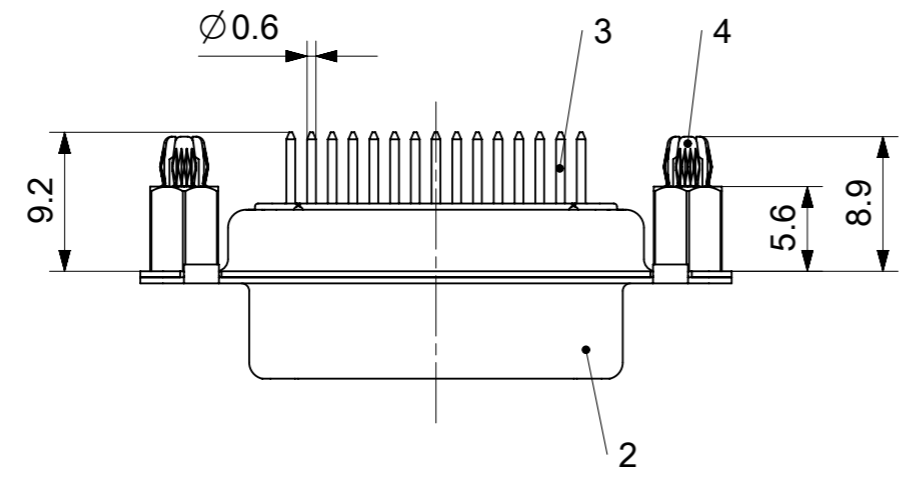
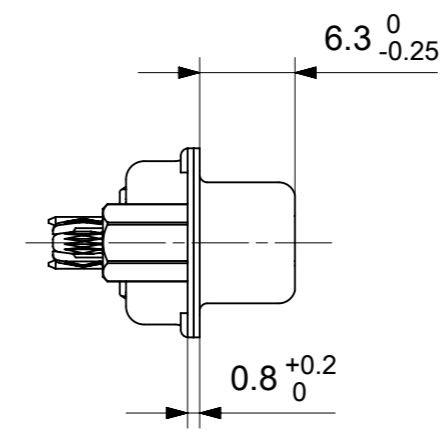
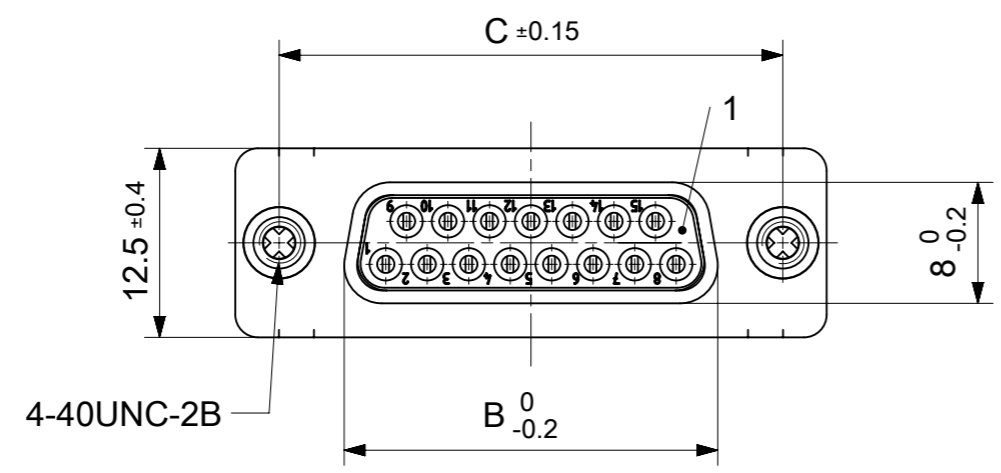


RoHS compliant
by exemption



FCT Part number:

FHxx*1)S24G2-0981

e.g. FH15S24G2-0981

*1) xx No. of contacts 09, 15, 25 or 37

*2) y for performance classes 1, 2 or 3

(contact cycle for G1/G2/G3 = 500/200/50)

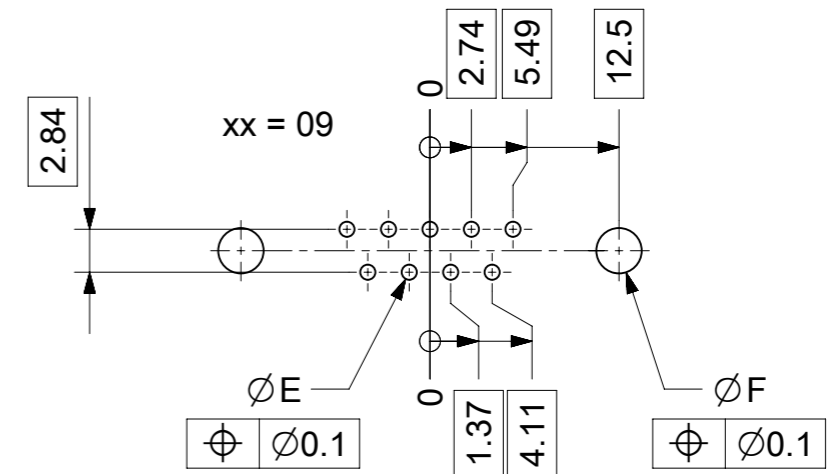
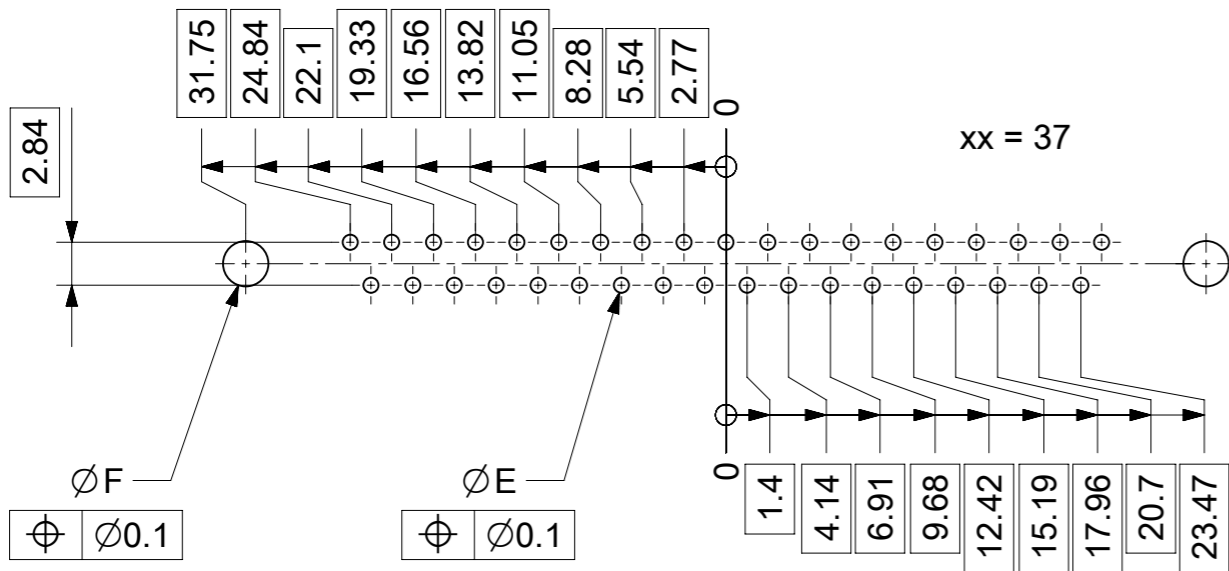
Material Number	xx*1)	y*2)	A[mm]	B[mm]	C[mm]	*E[mm]	*F[mm]
1731091660	09	G2	30.8	16.4	25	Ø1	Ø3
1731091676	15	G2	39.1	24.7	33.3		
1731091684	25	G2	53	38.5	47.04		
-	37	-	69.3	55.9	63.5		

*PCB hole patterns ØE, ØF see document 2195600023

No.	Pc.	Part	Type Description/Material	Surface plating/Color/Class
4	2	Snap-in bolt	PCB 1.6mm / Brass	tin plated
3	xx	Signal contact	S24 / Brass	G2
2	1	Shell	Steel	tin plated
1	1	Insulator	PCT (-55°C to +150°C)	natural

MEASUREMENTS WITHOUT TOLERANCE ACC TO ISO 2768-m
REPLACEMENT FOR DOCUMENT NUMBER: FHxxS24Gy-0981

FUNCTIONAL SYMBOLS	THIS DRAWING CONTAINS INFORMATION THAT IS PROPRIETARY TO MOLEX ELECTRONIC TECHNOLOGIES, LLC AND SHOULD NOT BE USED WITHOUT WRITTEN PERMISSION	CURRENT REV DESC:		molex				
	<table border="1"> <tr> <th>DIMENSION UNITS</th> <th>SCALE</th> </tr> <tr> <td>mm</td> <td>2:1</td> </tr> </table>	DIMENSION UNITS	SCALE		mm	2:1	EC NO: 705230	
	DIMENSION UNITS	SCALE						
	mm	2:1						
GENERAL TOLERANCES (UNLESS SPECIFIED)	DRWN: SKANDB 2021/11/23							
ANGULAR TOL ± °	CHK'D: MTEUBEL 2022/05/09							
DIVISIONAL SYMBOLS	4 PLACES ±	APPR: MTEUBEL 2022/05/09		PRODUCT CUSTOMER DRAWING				
	3 PLACES ±	INITIAL REVISION:						
	2 PLACES ±	DRWN: SKANDB 2021/11/23						
	1 PLACE ±	APPR: MTEUBEL 2022/05/09						
0 PLACES ±	DRAFT WHERE APPLICABLE MUST REMAIN WITHIN DIMENSIONS		DOCUMENT NUMBER: 1731091660					
FIRST ANGLE PROJECTION		DRAWING: A3-SIZE	SERIES: 173109	DOC TYPE: PSD	DOC PART: 000			
		MATERIAL NUMBER: SEE TABLE		CUSTOMER: GENERAL MARKET	REVISION: A			
		SHEET NUMBER: 1 OF 1						



ØE, ØF see data sheet incl. connector
 ØF connectors with accessories only

MEASUREMENTS WITHOUT TOLERANCE ACC TO ISO 2768-m			REPLACEMENT FOR DOCUMENT NUMBER: AM0023							
FUNCTIONAL SYMBOLS	THIS DRAWING CONTAINS INFORMATION THAT IS PROPRIETARY TO MOLEX ELECTRONIC TECHNOLOGIES, LLC AND SHOULD NOT BE USED WITHOUT WRITTEN PERMISSION		CURRENT REV DESC:							
	△/A = 0	DIMENSION UNITS: mm				SCALE: 2:1				
△/E = 0	GENERAL TOLERANCES (UNLESS SPECIFIED)		molex FCT PCB HOLE PATTERN STRAIGHT CONTACT NO. OF CONTACTS 09-37							
△/P = 0	ANGULAR TOL ± °									
DIVISIONAL SYMBOLS	4 PLACES	±				EC NO: 713905				
	3 PLACES	±				DRWN: SKANDB 2022/05/16				
	2 PLACES	±	CHK'D: MTEUBEL 2022/07/12							
	1 PLACE	±	APPR: MTEUBEL 2022/07/12							
0 PLACES	±	INITIAL REVISION:								
DRAFT WHERE APPLICABLE MUST REMAIN WITHIN DIMENSIONS		FIRST ANGLE PROJECTION	DRAWING	SERIES	MATERIAL NUMBER	CUSTOMER	DOCUMENT NUMBER	DOC TYPE	DOC PART	REVISION
			A3-SIZE	219560	219560	GENERAL MARKET	2195600023	PSD	000	A
										SHEET NUMBER: 1 OF 1