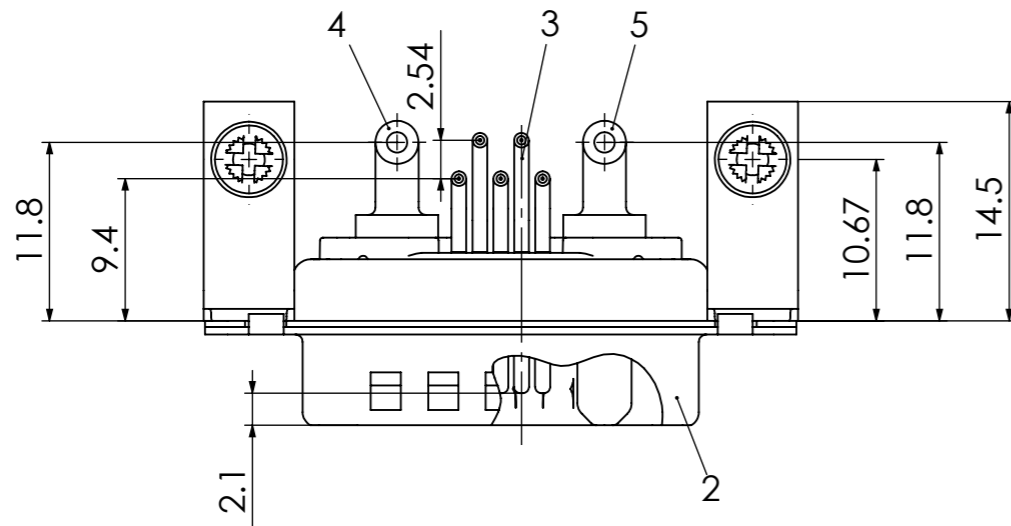
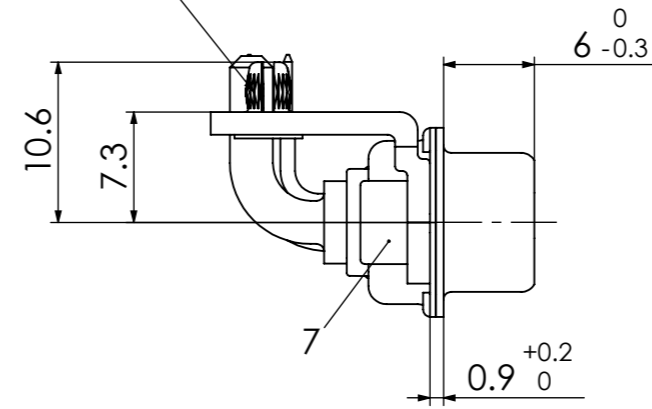
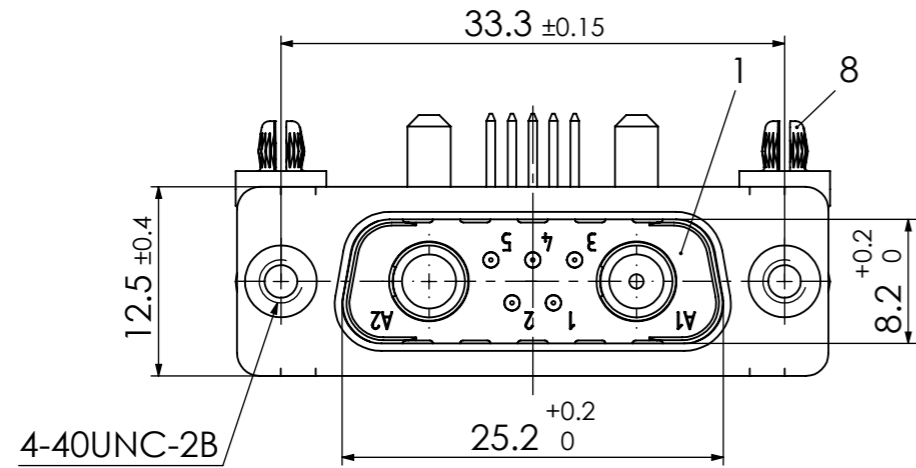
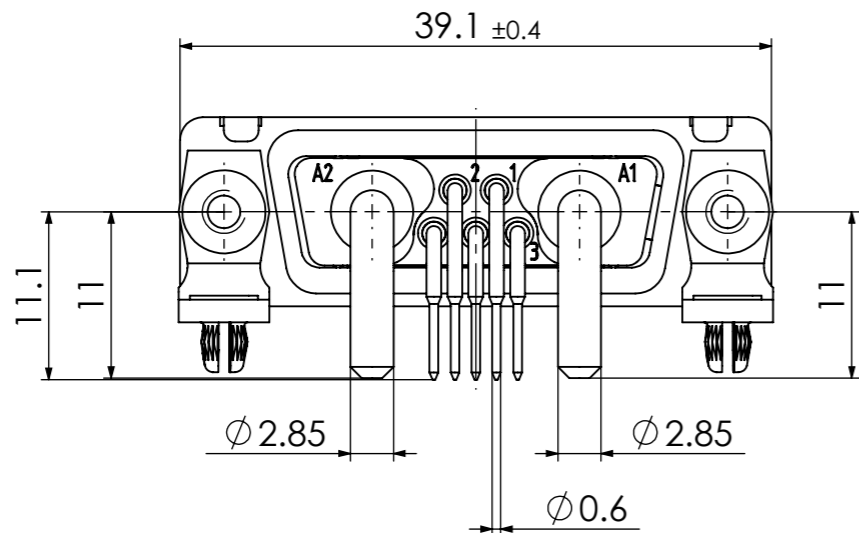
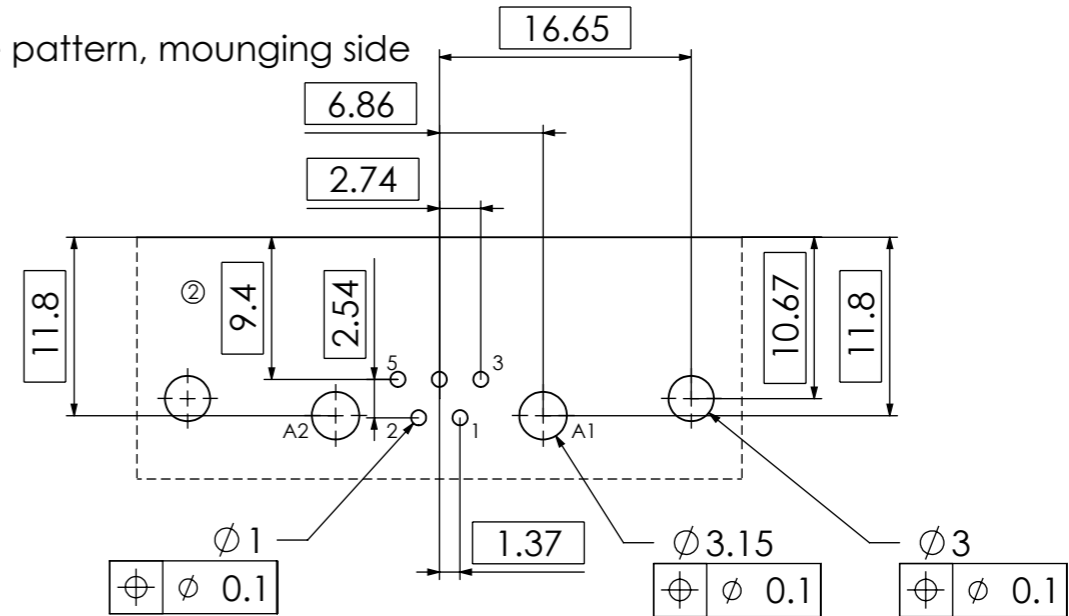


RoHS compliant
by exemption



PCB hole pattern, mousing side



No.	St.	Part	Type Description/Material	Surface plating/Colour/Class
8	2	Snap-in rivet	PCB 1.6mm / Brass	tin plated
7	2	Clinch nut	MW 4-40 / Steel	tin plated
6	2	Bracket	F1080-13B / Steel	tin plated
5	1	High power contact	FMP068P104R	20A
4	1	High power contact	FMP008P104R	20A
3	5	Signal contact	P69 / Brass	0.8µm Au
2	1	Shell	Steel	tin plated
1	1	Insulator	PBT (-55°C to +130°C) acc. UL94V-0	green

FUNCTIONAL SYMBOLS					THIS DRAWING CONTAINS INFORMATION THAT IS PROPRIETARY TO MOLEX ELECTRONIC TECHNOLOGIES, LLC AND SHOULD NOT BE USED WITHOUT WRITTEN PERMISSION					
▽ = 0	▽ = 0	▽ = 0	DIMENSION UNITS	SCALE	MEASUREMENTS WITHOUT TOLERANCE ACC. TO ISO 2768-m					
			mm	2:1						
CURRENT REVISION					molex FCT D-Sub Mixed-Layout Connector PRODUCT CUSTOMER DRAWING					
DRWN: DRAWN BY msteinbrueck 24-08-2023 APPR: APPR BY fvetter 28-08-2023										
INITIAL REVISION					MATERIAL NUMBER					
DRWN: DRAWN BY sschref 24-08-2005 APPR: APPR BY ADenzinger 25-08-2005					1731071138					
REVISION					DOCUMENT NUMBER					
REV. CH.-NO. 3 24410 2 21699 1 21679					FM7W2P69-0604					
REPLACEMENT FOR:					FRIST ANGLE PROJECTION		DRAWING		CUSTOMER	
1731071138_Rev. A1							A3-SIZE		GENERAL MARKET	
					SHEET NUMBER					
					3					
					1 OF 1					

COMMENT: ALL RIGHTS ARE RESERVED BY US FOR THIS DRAWING. WITHOUT OUR PRIOR CONSENT, IT MAY NEITHER BE DUPLICATED NOR MADE AVAILABLE TO A THIRD PARTY. AND IT ALSO MAY NOT BE IMPROPERLY USED BY THE RECEIVER, OR A THIRD PARTY.