

CTDLW43SF Series

From 11µH to 100µH

SPECIFICATIONS

Part Number	Common Mode Ind. at 100kHz (µH)	Tolerance (%)	Common Mode Imp. at 10MHz (Ω) Typ.	DCR Max (Ω)	Idc Max (mA)
CTDLW43SF-110Y	11	+50/-30	600	0.6	250
CTDLW43SF-220Y	22	+50/-30	1200	1.0	200
CTDLW43SF-510Y	51	+50/-30	2800	1.0	200
CTDLW43SF-101Y	100	+50/-30	5800	2.0	150



PHYSICAL DIMENSIONS

Size	A	B	C	D
mm	4.5±0.2	3.2±0.2	2.8±0.2	Typ. 1.0
inches	0.177±0.008	0.126±0.008	0.110±0.008	0.039

CHARACTERISTICS

Description: SMD wire-wound common mode chip inductors

Applications: EMI suppression for Data and signal lines, CANbus, Telecom devices, Consumer electronics, etc.

Operating Temperature: -40°C to +125°C

Rated Voltage: 50 VDC

Insulation Resistance: 10 MΩ Min.

Withstand Voltage: 125 VDC

Inductance Tolerance: +50%/-30%

Testing: Inductance is tested on an HP4285A at 100kHz

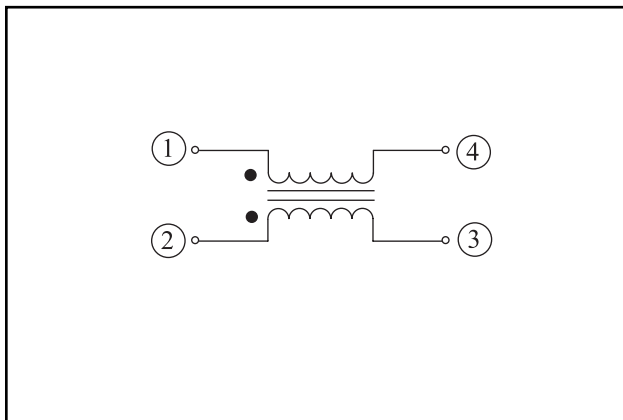
Packaging: Tape & Reel.

Miscellaneous: **RoHS Compliant.**

Additional Information: Additional electrical & physical information available upon request.

Samples available. See website for ordering information.

EQUIVALENT CIRCUIT



PAD LAYOUT

