



- 10/100 Base-T for Ethernet Applications
- Industrial Operating Temp: 40°C to +85°C
- Transmit open circuit inductance (OCL): 350µH (MIN) @ 100KHz, 0.1Vrms with 8mA DC Bias
- RJ45 jack cavity conforms to FCC rules and regulations Part 68, SUB Part F

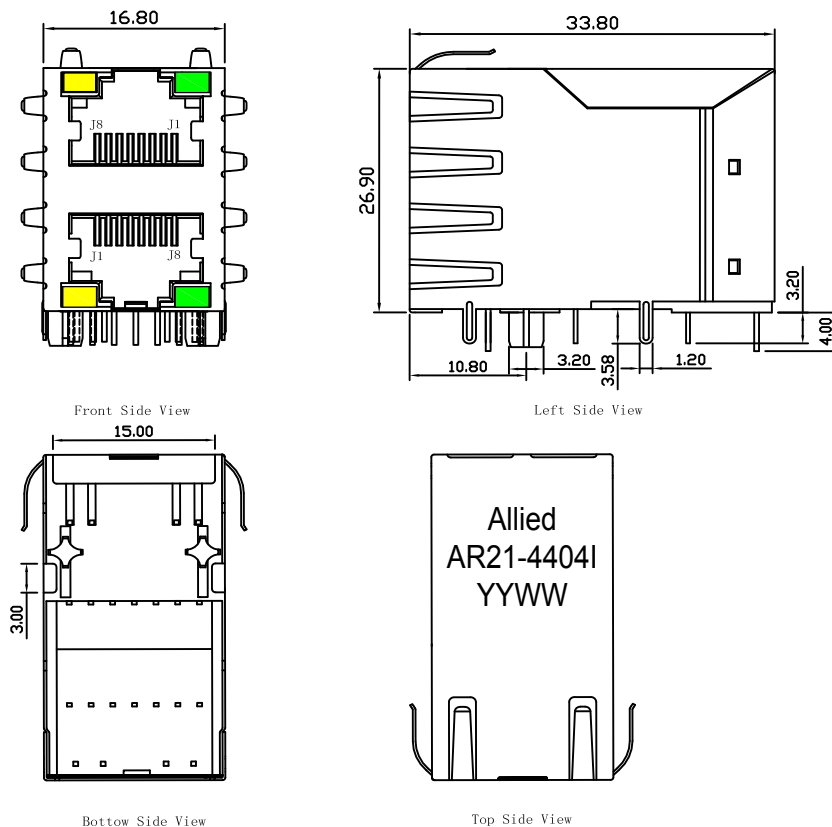


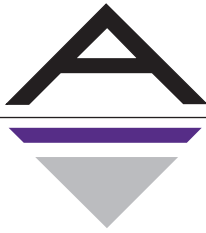
Electrical Specifications @ 25°C					
OCL(µH Min) @ 100kHz, 0.1V With 8mA DC Bias	Turns Ratio	DC Resistance (Ω Max)	Cross Talk (dB Min)		
			1-30MHz	30-60MHz	60-100MHz
350	1:1 ±3%	1.2	-40	-35	-30

Electrical Specifications @ 25°C					
Insertion Loss (dB Max)	Return Loss			Common Mode Rejection (dB Min)	Hipot (Vrms)
	1-30MHz	30-60MHz	60-100MHz		
-1.0	-18	-15	-12	-30	1500

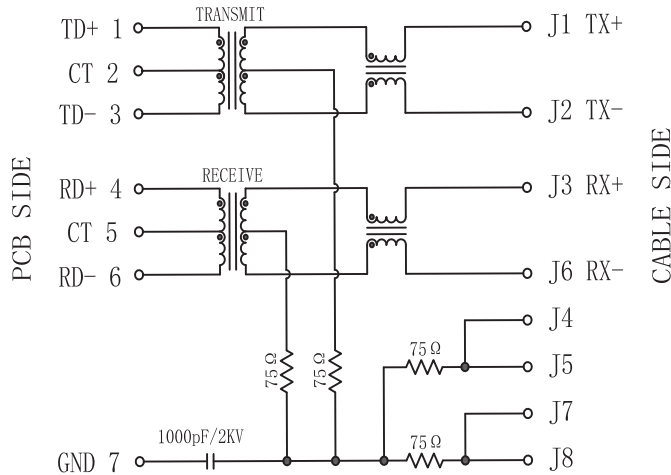
All specifications subject to change without notice.

MECHANICAL



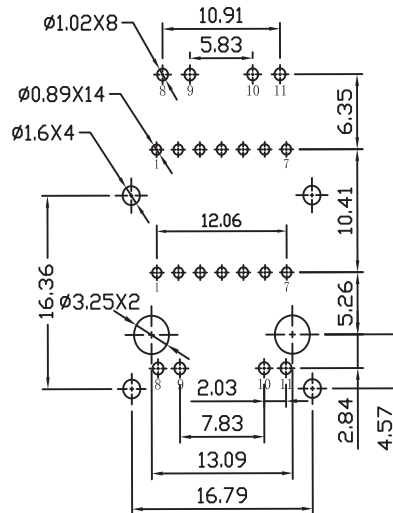


SCHEMATICS



Emitting Color	λ p(nm)	V _F @I _F =20mA	I _R @V _R =5V
Green	570	1.8~2.6V	10 μ A max
Yellow	590	1.8~2.6V	10 μ A max

PCB LAYOUT



NOTES

1. Meets IEEE 802.3 specification
2. Connector Materials:
 Housing Material: Thermoplastic PBT+30%G.F UL94V-0
 Contact Material: Phosphor Bronze C5210R-EH Thickness=0.35mm
 Pins: Brass C2680R-H Thickness=0.35mm
 Shield: Copper alloy Thickness=0.2mm
 Contact plating: Gold 6 micro-inches min. In contact area.
3. Wave solder tip temperature: 265°C Max, 5 Sec Max