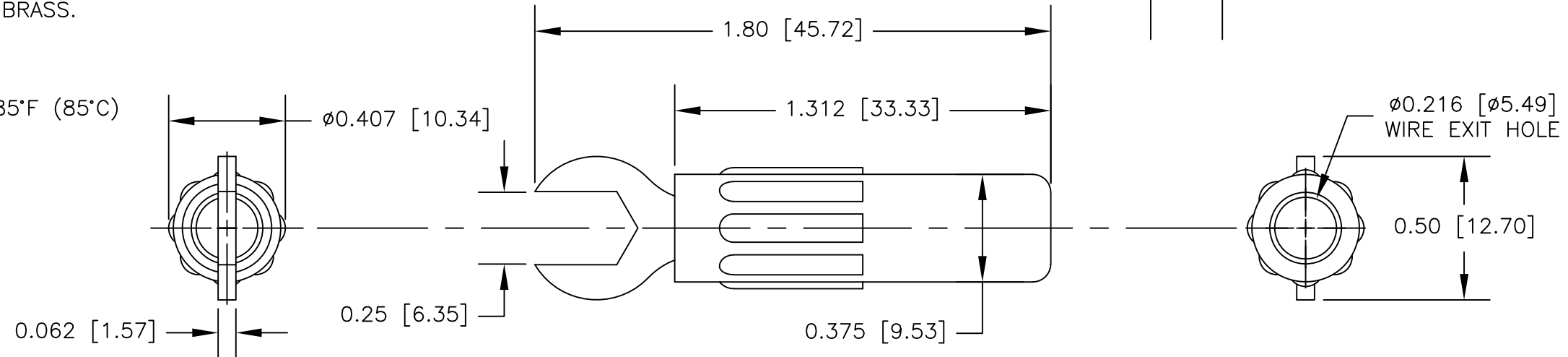


NOTES: UNLESS OTHERWISE SPECIFIED

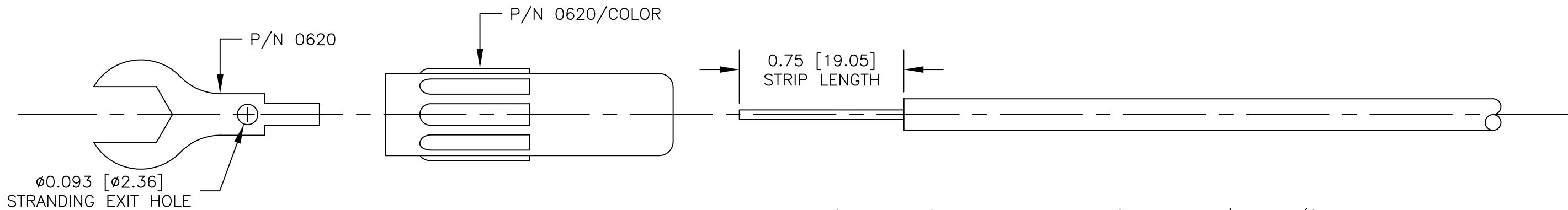
1. CONSTRUCTION:  
HOUSING: MOLDED ACETAL. AVAILABLE IN BLK & RED  
TERMINAL: NICKEL PLATED BRASS.

2. PERFORMANCE:  
MAXIMUM VOLTAGE:  
MAXIMUM TEMPERATURE: 185°F (85°C)

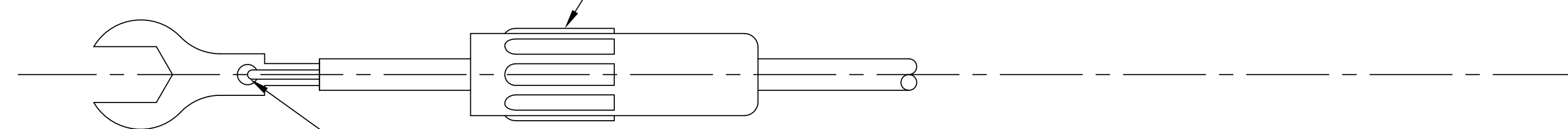
LTR	DESCRIPTION	REVISIONS	
		DATE	APPROVED
A	HANDLE REDESIGNED	1/9/18	R.L.



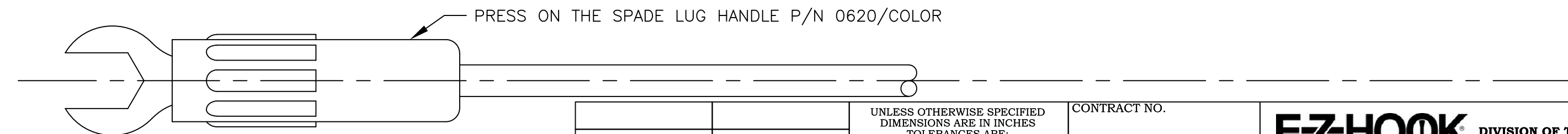
### ASSEMBLY INSTRUCTIONS



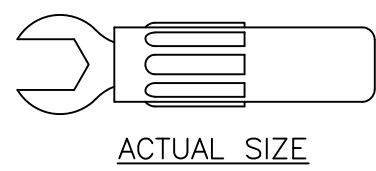
INSERT THE WIRE THROUGH THE BACK OF THE SPADE LUG HANDLE P/N 0620/COLOR



INSERT THE WIRE STRANDING INTO THE SPADE LUG STRANDING EXIT HOLE AND FOLD IT OVER. SOLDER THE STRANDING IN PLACE.



PRESS ON THE SPADE LUG HANDLE P/N 0620/COLOR



		UNLESS OTHERWISE SPECIFIED DIMENSIONS ARE IN INCHES TOLERANCES ARE: FRACTIONS DECIMALS ANGLES ± N/A .XX ± N/A ± N/A .XXX ± N/A	CONTRACT NO.		<b>E-Z-HOOK</b> DIVISION OF TEKTEST INC. ARCADIA, CA 91006 U.S.A.
			APPROVALS	DATE	
		MATERIAL SEE NOTE	DRAWN S.B.W.	4/92	DESCRIPTION 0.25 [6.35] SPADE LUG
		FINISH SEE NOTE	APPROVED BY		SIZE CODE IDENT NO. DRAWING NO. REV. B 08505 9208 A
NEXT ASSY	USED ON				SCALE 2:1 SHEET 1 OF 1
APPLICATION		DO NOT SCALE DRAWING			