

NOTES:

1. MATERIALS AND FINISHES:

- FERRULE - BRASS, WHITE BRONZE PLATING
- COUPLING NUT - BRASS, WHITE BRONZE PLATING
- BODY - BRASS, WHITE BRONZE PLATING
- CONTACT - BRASS, GOLD PLATING
- RETAINER RING - SUS 304, NATURAL
- GASKET - SILICONE RUBBER, RED
- INSULATOR - PTFE, NATURAL

2. ELECTRICAL:

- A. IMPEDANCE: 50 OHM, NOMINAL
- B. FREQUENCY RANGE: 0-11 GHz
- C. D.W.V: 2500 VRMS, MIN.

3. MECHANICAL:

- A. DURABILITY: 500 CYCLES MIN.
- B. TEMPERATURE RANGE: -40°C TO +140°C

4. CRIMPED FERRULE HEX CRIMP SIZE .213"

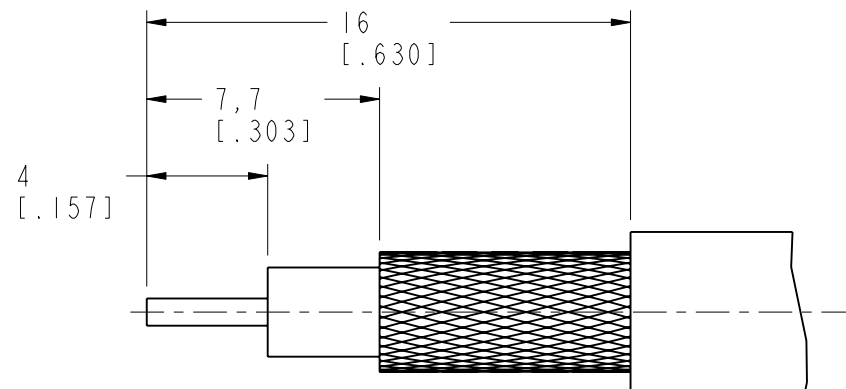
5. CRIMPED CONTACT PIN HEX CRIMP SIZE .100" OR SOLDER

6. SHOWS CABLE ENTRY DIMENSIONS.

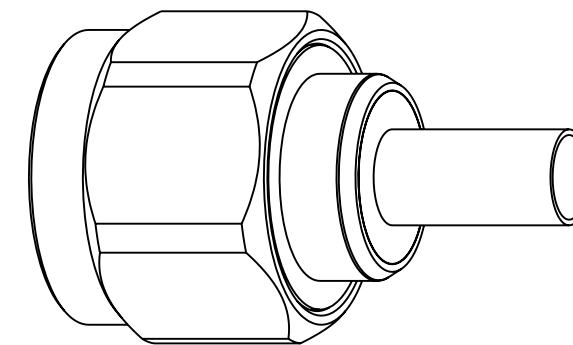
THIRD ANGLE PROJ.

REVISIONS

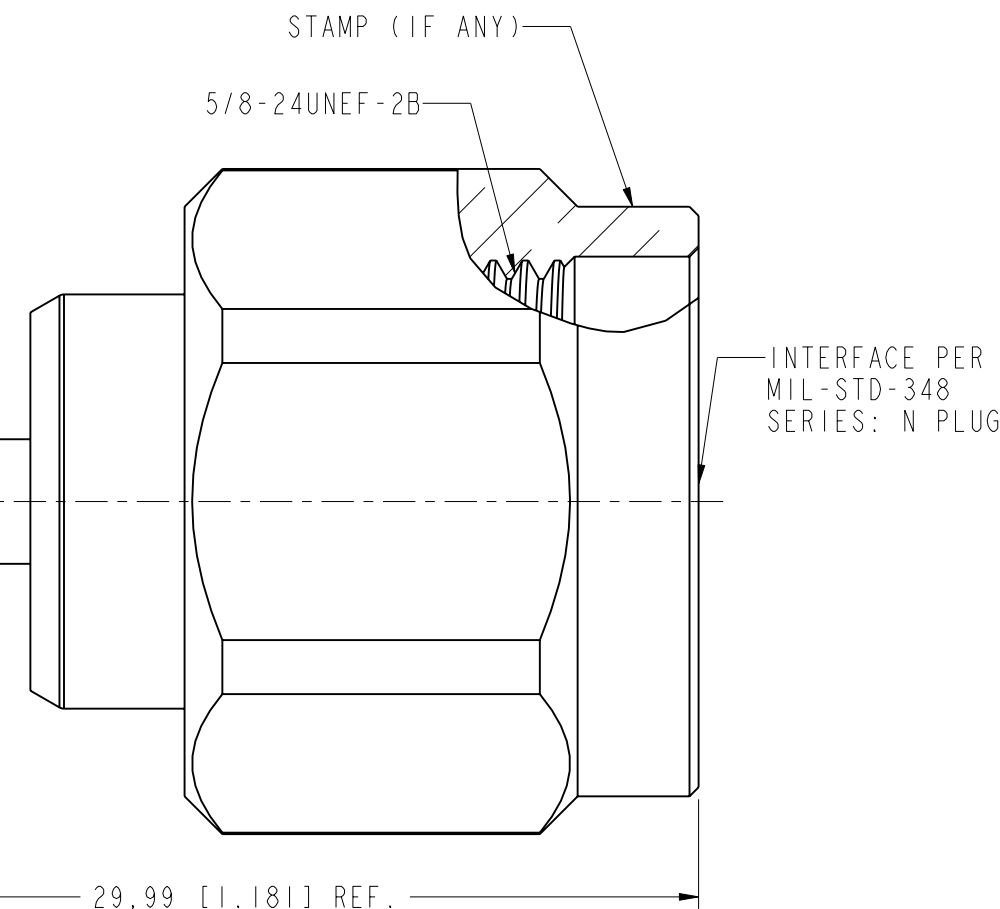
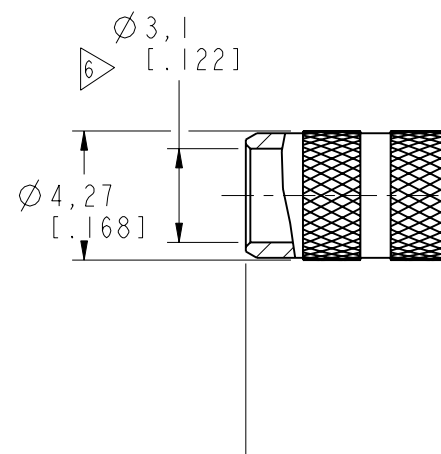
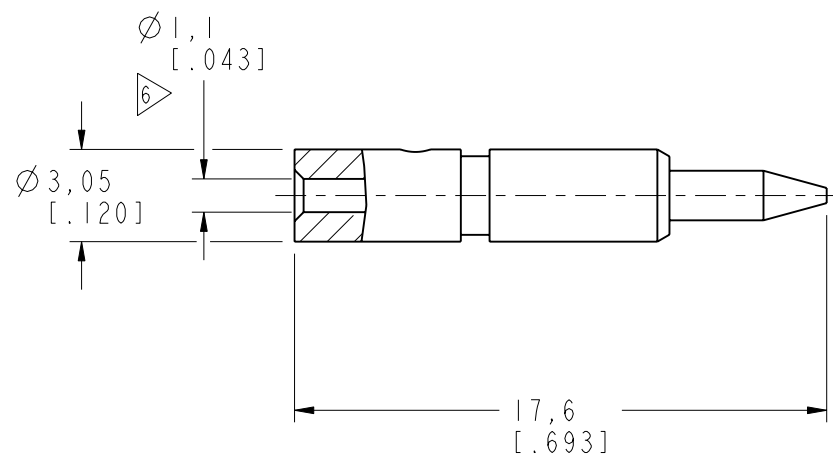
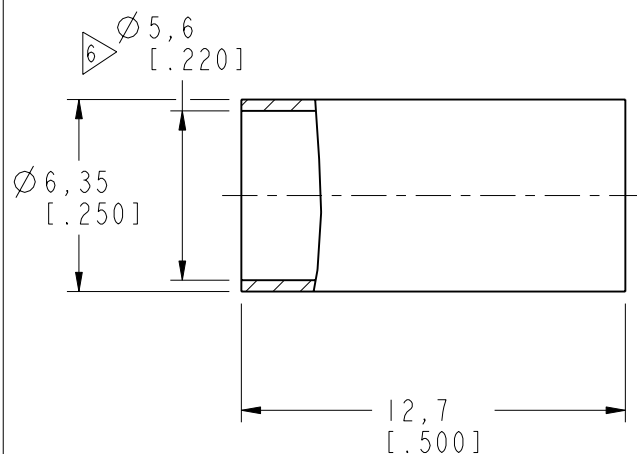
REV	DESCRIPTION	DATE	ECO	APPR
NC	INITIAL RELEASE.	03-Jun-03		GRS
A	SYNC, REDRAWN IN THE PRO-E	24-Aug-16		MZ
B	DRAWING UPDATE TO LATEST GLOBAL FORMAT	30-Nov-16	02481	SS



RECOMMENDED  
CABLE STRIPPING DIM'S



SCALE 2.000



**CUSTOMER OUTLINE DRAWING**

ALL OTHER SHEETS ARE FOR INTERNAL USE ONLY

UNLESS OTHERWISE SPECIFIED, DIMENSIONS ARE IN METRIC AND TOLERANCES ARE:  
 <0.5mm ±0.05mm    0.5 - 6mm ±0.1mm    6 - 30mm ±0.2mm    30 - 120mm ±0.3mm    ANGLES ±1°

NOTICE - These drawings, specifications, or other data (1) are, and remain the property of Amphenol corp. (2) must be returned upon request; and (3) are confidential and not to be disclosed to any person other than those to whom they are given by Amphenol Corp. the furnishing of these drawings, specifications, or other data by Amphenol Corp., or to any other person to anyone for any purpose is not to be regarded by implication or otherwise in any manner licensing, granting rights to permitting such holder or any other person to manufacture, use or sell any product, process or design, patented or otherwise, that may in any way be related to or disclosed by said drawings, specifications, or other data.

MATERIAL	
REFERENCE AND CONFIGURATION LEVEL: In Work	
FINISH	

DRAWN STAR	DATE 01-Dec-16
ENGINEER SUNDE	DATE 01-Dec-16
APPROVED S.HSIEH	DATE 01-Dec-16
CAD FILE	

TITLE N CRIMP PLUG - HEX NUT (FOR RG-55/U, 142/U, 223/U, 400/U CABLE)	
SCALE: 4.0:1.0	SHEET 2 OF 2
DWG SIZE B	REV B

Amphenol RF www.amphenolrf.com	
DRAWING NO. N1121BI-AT5GP-223U-50	
ITEM NO. 031121ABJ26CP5F	
PART NO. 172142HEX	