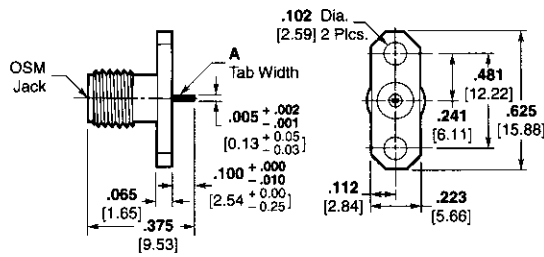
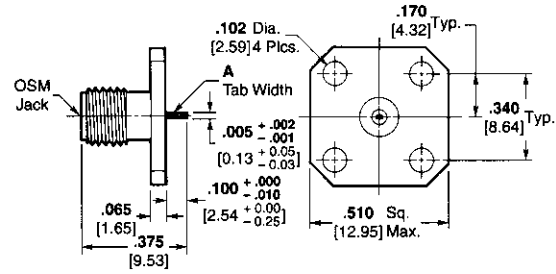


SMA Receptacles MIL-C-83517 — Panel Mount

MIL-C-83517/1



Outline 1



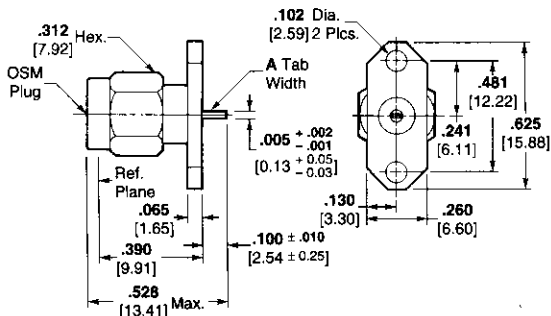
Outline 2

Military Part No.	AMP Part No.	M/A-COM ¹ Part No. (Ref. Only)	Outline	Dimension A
-31001	1052928-1	2052-8003-92	1	.020 ±.002 0.51 ±.051
-31002	1052930-1	2052-8004-92	1	.050 ±.001 1.27 ±.025
-31003	1052932-1	2052-8005-92	2	.020 ±.002 0.51 ±.051
-31004	1052934-1	2052-8006-92	2	.050 ±.001 1.27 ±.025

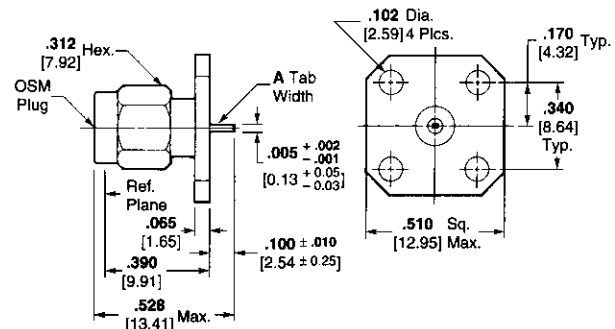
Military Part No.	AMP Part No.	M/A-COM ¹ Part No. (Ref. Only)	Outline	Dimension A
-32001	1052927-1	2052-8003-90	1	.020 ±.002 0.51 ±.051
-32002	1052929-1	2052-8004-90	1	.050 ±.001 1.27 ±.025
-32003	1052931-1	2052-8005-90	2	.020 ±.002 0.51 ±.051
-32004	1052933-1	2052-8006-90	2	.050 ±.001 1.27 ±.025

¹ -92 indicates passivated stainless steel finish.
-90 indicates gold plated finish.

MIL-C-83517/2



Outline 3



Outline 4

Military Part No.	AMP Part No.	M/A-COM ¹ Part No. (Ref. Only)	Outline	Dimension A
-31001	1052409-1	2051-8001-92	3	.020 ±.002 0.51 ±.051
-31002	1052411-1	2051-8002-92	3	.050 ±.001 1.27 ±.025
-31003	1052413-1	2051-8003-92	4	.020 ±.002 0.51 ±.051
-31004	1052415-1	2051-8004-92	4	.050 ±.001 1.27 ±.025

Military Part No.	AMP Part No.	M/A-COM ¹ Part No. (Ref. Only)	Outline	Dimension A
-32001	1052408-1	2051-8001-90	3	.020 ±.002 0.51 ±.051
-32002	1052410-1	2051-8002-90	3	.050 ±.001 1.27 ±.025
-32003	1052412-1	2051-8003-90	4	.020 ±.002 0.51 ±.051
-32004	1052414-1	2051-8004-90	4	.050 ±.001 1.27 ±.025

¹ -92 indicates passivated stainless steel finish.
-90 indicates gold plated finish.