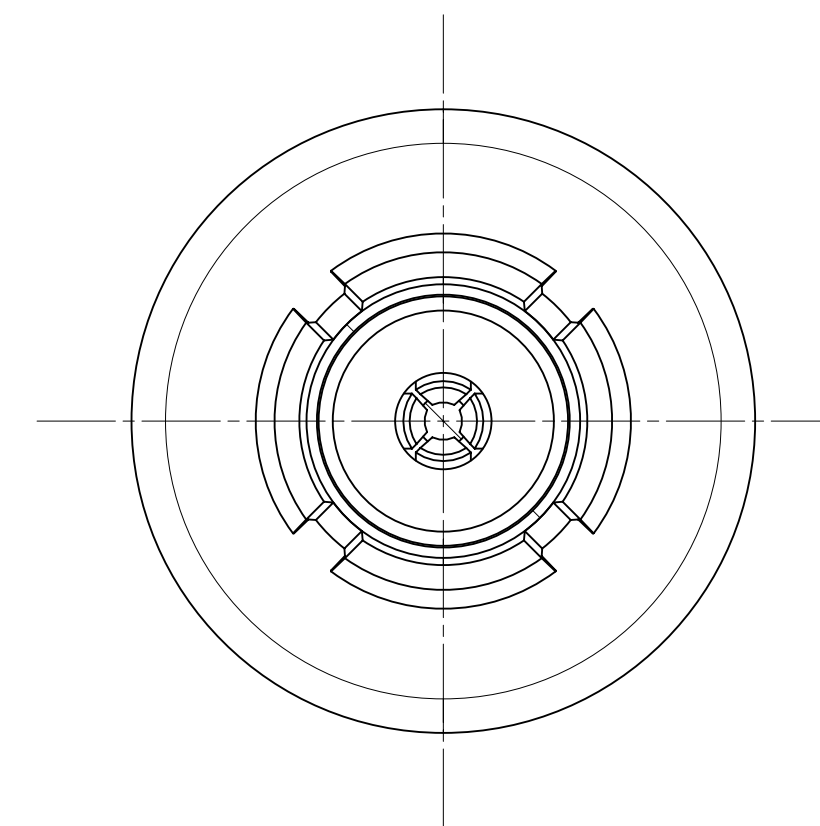
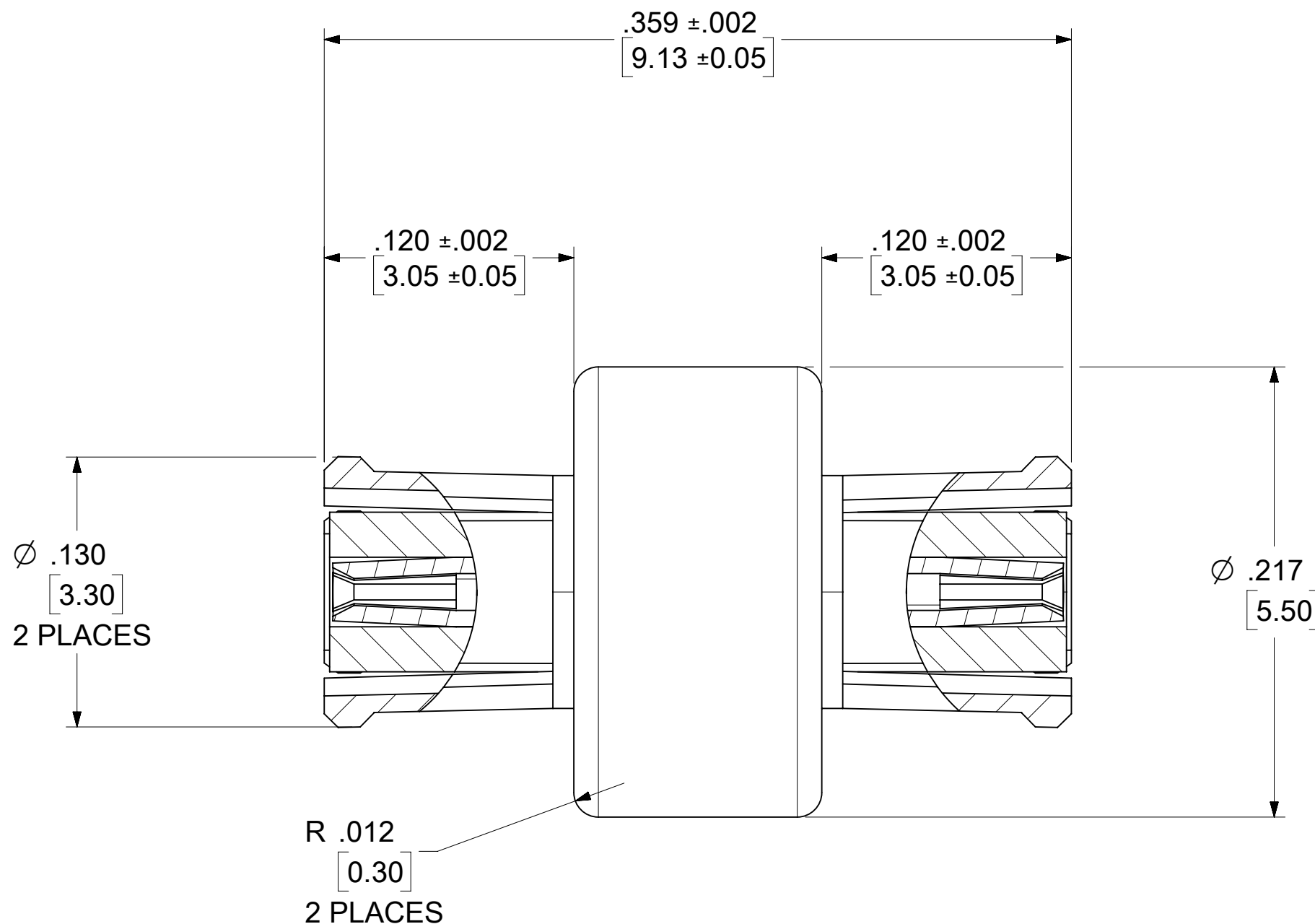
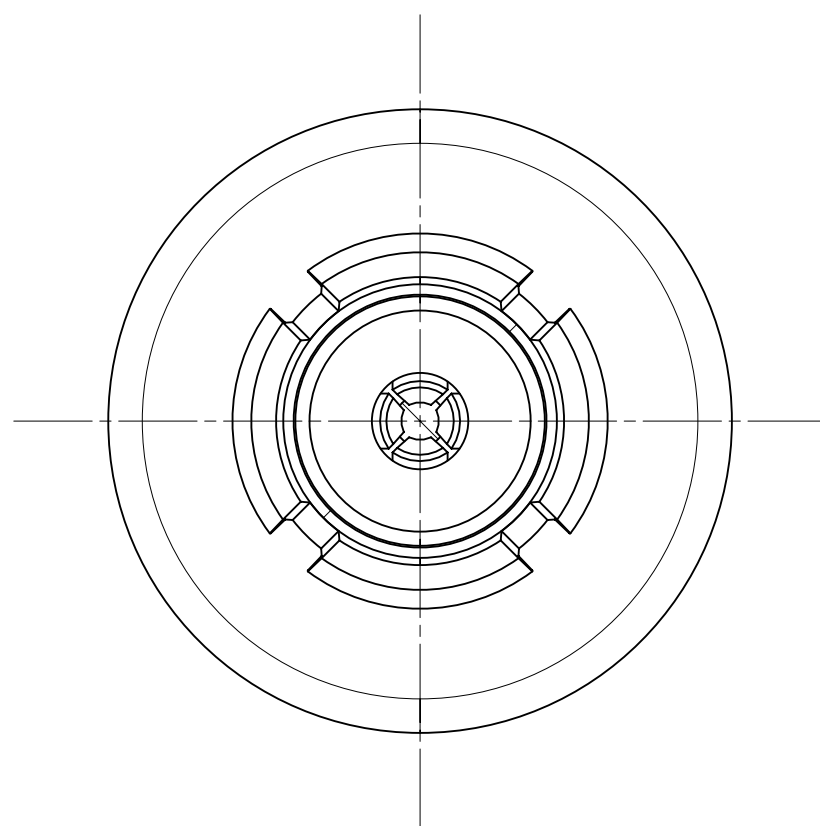
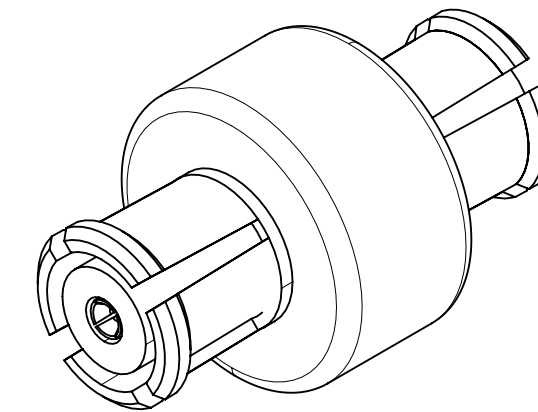


MATERIALS AND FINISHES:

BODY BERYLLIUM COPPER
PLATED GOLD 30 MICRINCH MIN

CONTACT BERYLLIUM COPPER
PLATED GOLD 30 MICRINCH MIN

INSULATOR TEFLON



LABEL FORMAT FOR
73406-0221

PART NUMBER: 73406-0220
ORDER NUMBER: 73406-0221
MOLEX
DATE: YYWW

73406-0221	73406-0220 ONE PER BAG	895420470
73406-0220	73406-0220 TRAY	895420040
PART NO.	DESCRIPTION	PACKING SPEC

MIL-STD-348A, FIG. 326.1	INTERFACE
SPECIFICATION	DESCRIPTION

FUNCTIONAL SYMBOLS	THIS DRAWING CONTAINS INFORMATION THAT IS PROPRIETARY TO MOLEX ELECTRONIC TECHNOLOGIES, LLC AND SHOULD NOT BE USED WITHOUT WRITTEN PERMISSION												
FA = 0	DIMENSION UNITS	SCALE	CURRENT REV DESC: ADD 73406-0221 PER EWR# 15321-C							molex			
EC = 0	INCH/MM	NTS	GENERAL TOLERANCES (UNLESS SPECIFIED)										
EP = 0	ANGULAR TOL ± 2.0°		EC NO: 718723				2022/08/19		SMP JACK TO SMP JACK BULLET SMP-BULLET				
DIVISIONAL SYMBOLS	4 PLACES ±		DRWN: ELIN				2022/08/30		PRODUCT CUSTOMER DRAWING				
	3 PLACES ±		CHK'D: YCHENG				2022/08/30		DOCUMENT NUMBER				
	2 PLACES ±		APPR: YCHENG				2022/08/30		DOC TYPE				
	1 PLACE ±		INITIAL REVISION:				2012/02/01		DOC PART				
0 PLACES ±		DRWN: RYEH				2012/02/17		REVISION					
DRAFT WHERE APPLICABLE MUST REMAIN WITHIN DIMENSIONS		THIRD ANGLE PROJECTION		DRAWING		SERIES		MATERIAL NUMBER		CUSTOMER		SHEET NUMBER	
				C-SIZE		73406		SEE TABLE		GENERAL MARKET		1 OF 1	

DOCUMENT STATUS	P1	RELEASE DATE	2022/08/30	02:55:03
-----------------	----	--------------	------------	----------