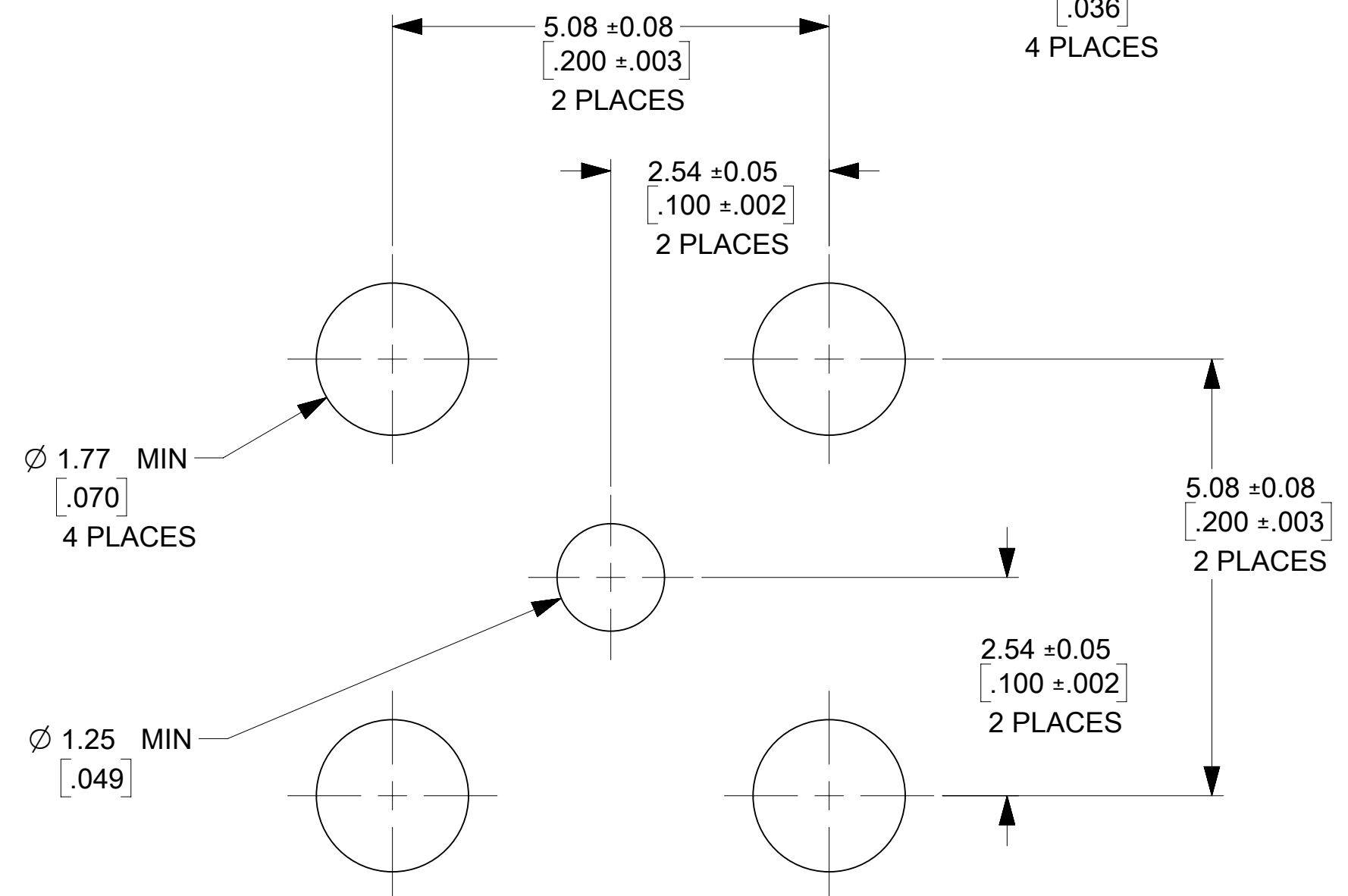
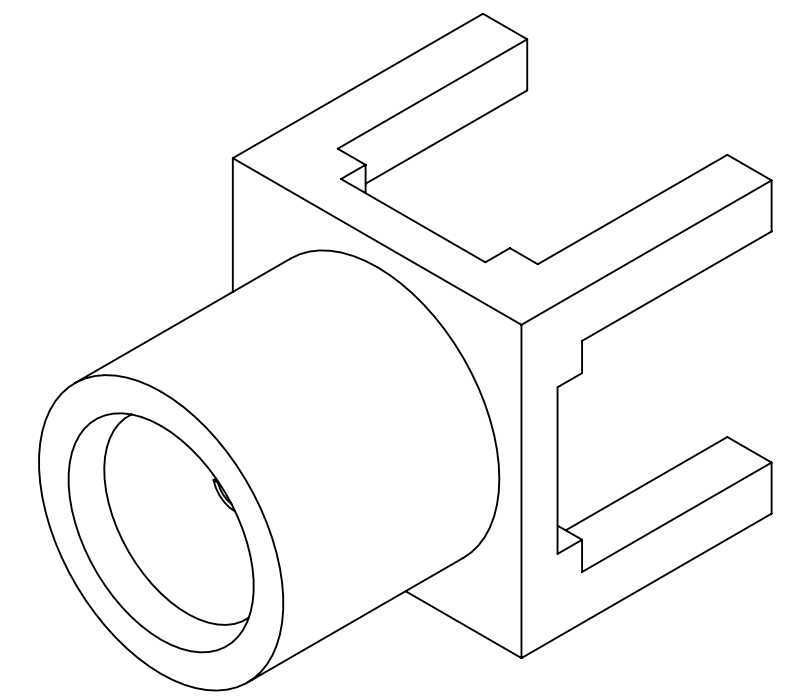
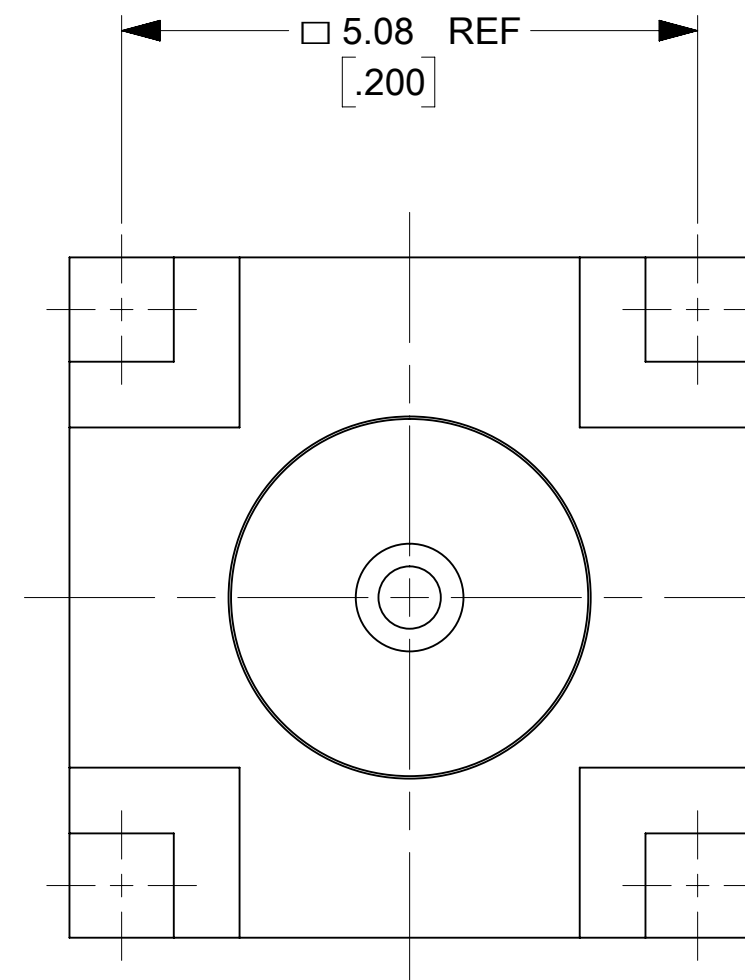
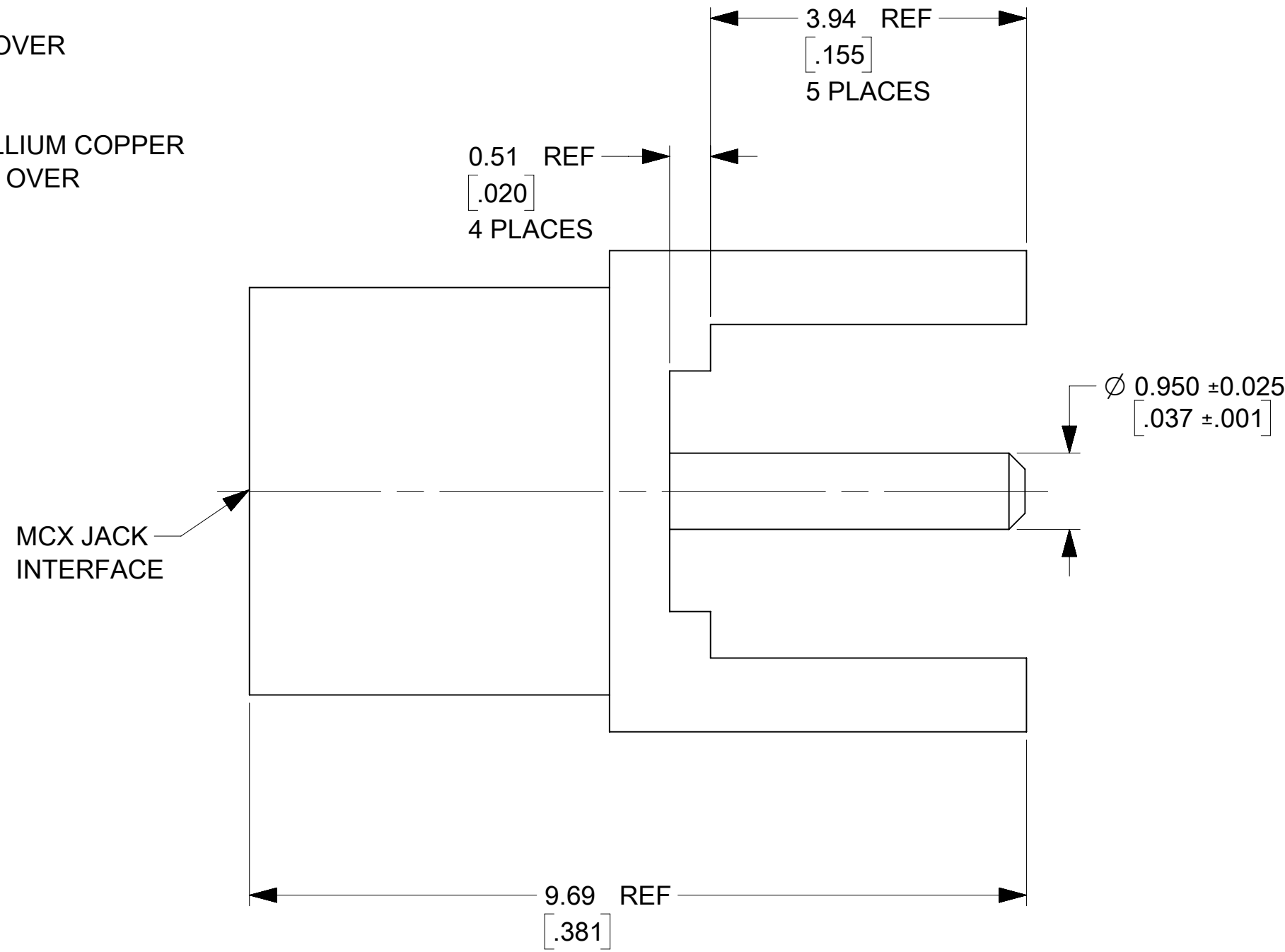


MATERIALS AND FINISHES

BODY: BRASS  
 PLATED GOLD (1μ-in MIN) OVER  
 NICKEL (50μ-in MIN)

CENTER CONTACT: BERYLLIUM COPPER  
 PLATED GOLD (50μ-in MIN) OVER  
 NICKEL (30μ-in MIN)

INSULATOR: PTFE



RECOMMENDED HOLE PATTERN

PART # 734153510

FUNCTIONAL SYMBOLS	THIS DRAWING CONTAINS INFORMATION THAT IS PROPRIETARY TO MOLEX ELECTRONIC TECHNOLOGIES, LLC AND SHOULD NOT BE USED WITHOUT WRITTEN PERMISSION									
	DIMENSION UNITS		SCALE		CURRENT REV DESC:					
$\frac{F}{A} = 0$	MM/IN		NTS		EC NO: 677055 DRWN: LMEIER 2021/04/29 CHK'D: SSSHAH 2021/09/21 APPR: JDEREN 2021/09/21 INITIAL REVISION: DRWN: TEF 2001/06/04 APPR: GMH 2001/07/03					
$\frac{F}{C} = 0$	GENERAL TOLERANCES (UNLESS SPECIFIED)									
$\frac{F}{P} = 0$		MM	INCH							
DIVISIONAL SYMBOLS	4 PLACES	±	±							
	3 PLACES	±	±							
	2 PLACES	±	±							
	1 PLACE	±	±							
	0 PLACES	±	±							
	ANGULAR TOL	± 0.5 °								
DRAFT WHERE APPLICABLE MUST REMAIN WITHIN DIMENSIONS				THIRD ANGLE PROJECTION	DRAWING	SERIES	MATERIAL NUMBER	CUSTOMER	SHEET NUMBER	
					C-SIZE	73415	SEE TABLE		1 OF 1	

**molex**

MCX JACK PCB 75 OHM  
 MCX-J/PCB, EWR-14467

PRODUCT CUSTOMER DRAWING

DOCUMENT NUMBER  
**SD-73415-351**

DOC TYPE  
**PSD**

DOC PART  
**001**

REVISION  
**A1**