

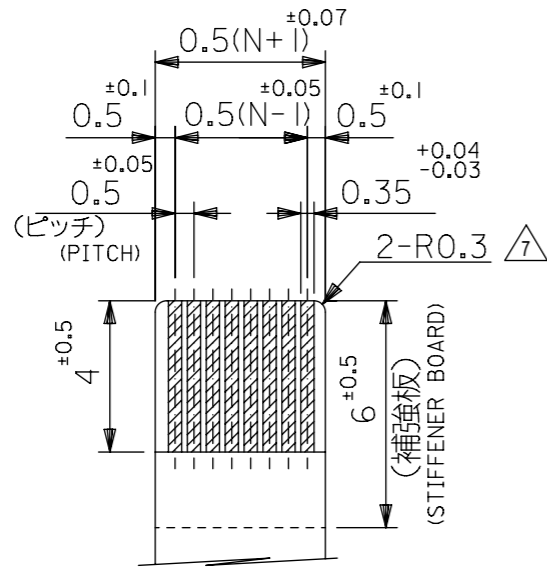
| | | | | | | |
|------|------|-------|-----|------------------|--------------|----------|
| 16.1 | 14.3 | 10.65 | 9.5 | 52746-2070 | 52746-2019 | 20 |
| 15.6 | 13.8 | 10.15 | 9.0 | -1970 | -1919 | 19 |
| 15.1 | 13.3 | 9.65 | 8.5 | -1870 | -1819 | 18 |
| 14.6 | 12.8 | 9.15 | 8.0 | -1770 | -1719 | 17 |
| 14.1 | 12.3 | 8.65 | 7.5 | -1670 | -1619 | 16 |
| 13.6 | 11.8 | 8.15 | 7.0 | -1570 | -1519 | 15 |
| 13.1 | 11.3 | 7.65 | 6.5 | -1470 | -1419 | 14 |
| 12.6 | 10.8 | 7.15 | 6.0 | -1370 | -1319 | 13 |
| 12.1 | 10.3 | 6.65 | 5.5 | -1270 | -1219 | 12 |
| 11.6 | 9.8 | 6.15 | 5.0 | -1170 | -1119 | 11 |
| 11.1 | 9.3 | 5.65 | 4.5 | -1070 | -1019 | 10 |
| 10.6 | 8.8 | 5.15 | 4.0 | -0970 | -0919 | 9 |
| 10.1 | 8.3 | 4.65 | 3.5 | -0870 | -0819 | 8 |
| 9.6 | 7.8 | 4.15 | 3.0 | -0770 | -0719 | 7 |
| 9.1 | 7.3 | 3.65 | 2.5 | -0670 | -0619 | 6 |
| 8.1 | 6.3 | 2.65 | 1.5 | 52746-0470 | 52746-0419 | 4 |
| D | C | B | (A) | EMBOSSED TAPE | MATERIAL NO. | 極数 |
| | | | | ORDER No. オーダー番号 | | CIRCUITS |

52746-**19 MODEL NO.

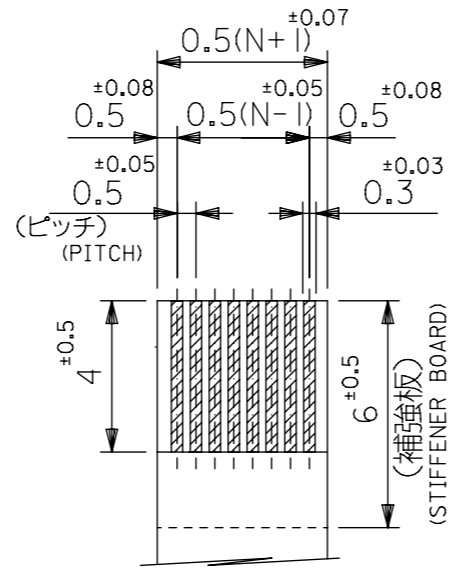
THIS DRAWING CONTAINS INFORMATION THAT IS PROPRIETARY TO MOLEX ELECTRONIC TECHNOLOGIES, LLC AND SHOULD NOT BE USED WITHOUT WRITTEN PERMISSION

| | | |
|--|------------------|-------------------|
| DIMENSION UNITS | SCALE | CURRENT REV DESC. |
| mm | NTS | |
| GENERAL TOLERANCES (UNLESS SPECIFIED) | | |
| ANGULAR TOL | ± 3.0° | |
| 4 PLACES | ± 0.2 | |
| 3 PLACES | ± 0.25 | |
| 2 PLACES | ± 0.3 | |
| 1 PLACE | ± | |
| 0 PLACES | ± | |
| DRAFT WHERE APPLICABLE MUST REMAIN WITHIN DIMENSIONS | | |
| THIRD ANGLE PROJECTION | DRAWING | SERIES |
| EC NO: 719890 | DRWN: MNABEI | 2008/06/27 |
| DRWN: NARENC | CHK'D: SMARUYAMA | 2008/06/30 |
| APPR: YNAITO | APPR: NUKITA | |
| | | |
| 0.5 FPC CONN. ZIF SMT R/A -LEAD FREE- | | |
| PRODUCT CUSTOMER DRAWING | | |
| DOCUMENT NUMBER | DOC TYPE | DOC PART REVISION |
| SD-52746-028 | PSD | 001 F |
| MATERIAL NUMBER | CUSTOMER | SHEET NUMBER |
| 52746 | GENERAL MARKET | 1 OF 2 |

| | |
|--|-------|
| GENERAL TOLERANCES (UNLESS SPECIFIED) | |
| 10 ^{UNDER} | ±0.2 |
| 10 ^{OVER} 30 ^{UNDER} | ±0.25 |
| 30 ^{OVER} | ±0.3 |
| ANGULAR | ±3° |



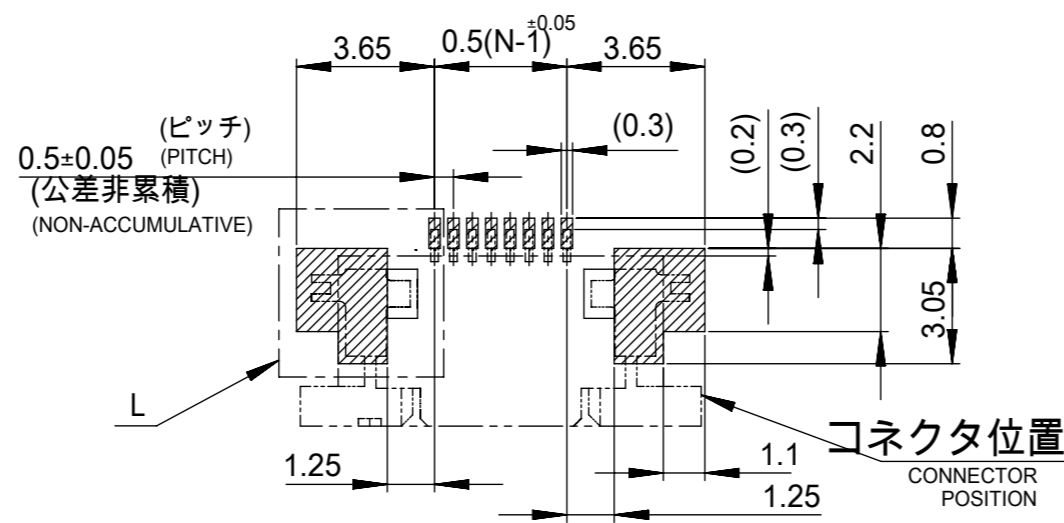
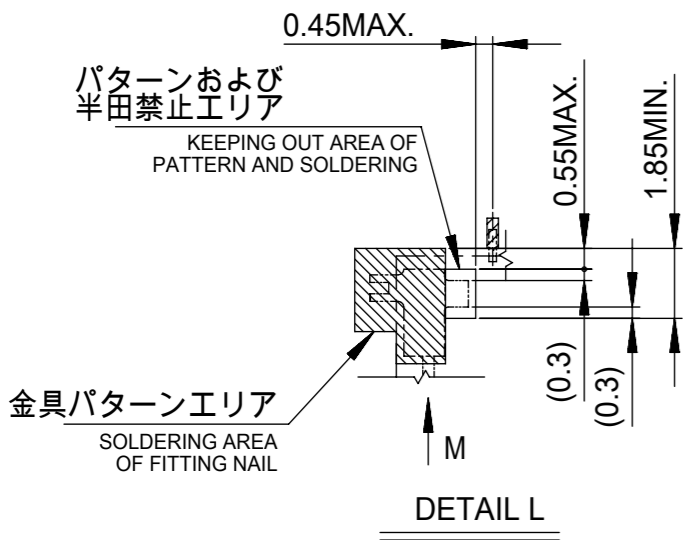
適合FPC推奨寸法
 APPLICABLE FPC
 RECOMMENDED DIMENSION.
 (仕上がり厚さ: 0.3^{±0.05})
 (THICKNESS: 0.3^{±0.05})



適合FFC推奨寸法
 APPLICABLE FFC
 RECOMMENDED DIMENSION.
 (仕上がり厚さ: 0.3^{±0.05})
 (THICKNESS: 0.3^{±0.05})

注記 NOTES

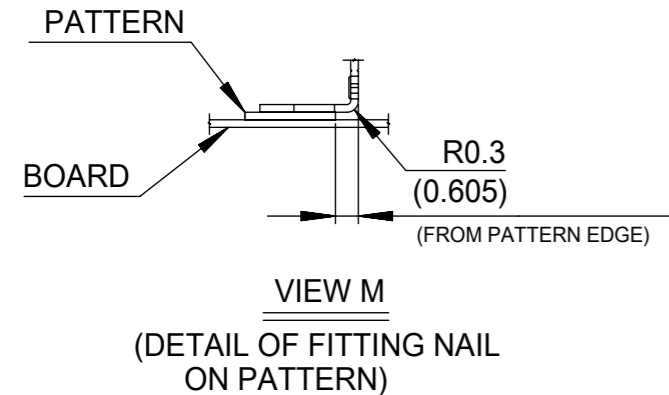
1. 使用材料 MATERIAL
 ハウジング : 46ナイロン、UL94V-0
 HOUSING 46NYLON
 アクチュエータ : PPS、UL94V-0
 ACTUATOR
 ターミナル : リン青銅(+0.2) ニッケル下地・錫ビスマスマッキ
 TERMINAL PHOS-BRO,TIN-BITHMUS OVER NICKEL PLATED
 金具 : リン青銅(+0.2) ニッケル下地、錫メッキ
 FITTING NAIL PHOS-BRO,TIN OVER NICKEL PLATED
2. エンボステープ梱包時は、アクチュエータがロックした状態とする。
 IN THE PACKAGE,ACTUATOR OF PART NO.52746-***19 SHOULD BE LOCKED.
- △3 ソルダータール半田付け面のズレ量、及び金具半田付け面のズレ量は、基準面 H に対し上方向 0.1MAX.、下方向 0.15MAX.とする。
 MISALIGNMENT OF SOLDER TAILS AND FITTING NAILS FROM H UPPER DIRECTION: 0.1MAX. , LOWER DIRECTION: 0.15MAX.
- △4 偶数極に適用。
 APPLY FOR EVEN CIRCUIT.
- △5 パターンはくり止め用金具
 FITTING NAIL FOR PREVENTION OF PEELING OF P.C.B. PATTERN.
- 6 本製品は 52746-***17 の鉛フリー品です。
 THIS PRODUCT IS LEAD FREE OF 52746-***17
- △7 R0.3は、FPCの導体部にかからないこと。
 R0.3 MUST NOT BE OVERLAPPED TO PATTERN OF FPC.



参考基板レイアウト
 (マウント面)

RECOMMENDED P.C.BOARD
 PATTERN DIMENSION (REF.)
 (MOUNTING SIDE)

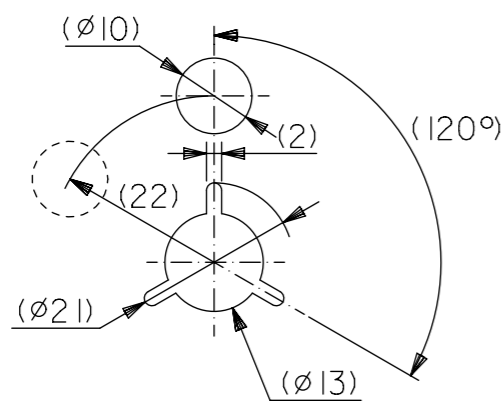
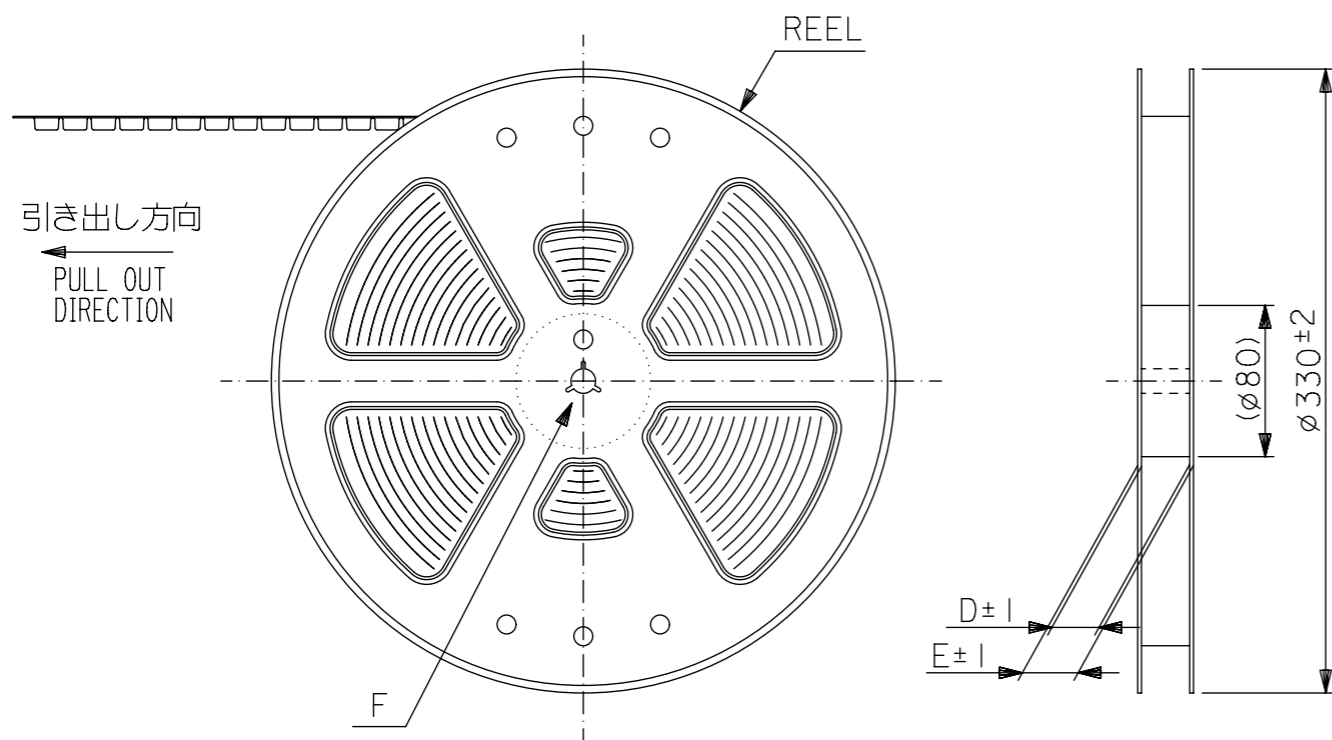
FPCについて:
 打抜き方向は導体側から補強板を推奨致します。
 補強フィルム材質はポリイミドを推奨致します。
 接着剤は熱硬化接着剤を推奨致します。
 ABOUT FPC:
 RECOMMENDED PUNCHER DIRECTION : FROM CONDUCTOR SIDE TO STIFFENER BOARD SIDE.
 RECOMMENDED MATERIAL :
 STIFFENER FILM : POLYIMIDE
 BONDING AGENT : THERMOSETTING BONDING AGENT



VIEW M
 (DETAIL OF FITTING NAIL
 ON PATTERN)

| GENERAL TOLERANCES (UNLESS SPECIFIED) | |
|--|-------|
| 10 ^{UNDER} | ±0.2 |
| 10 ^{OVER} 30 ^{UNDER} | ±0.25 |
| 30 ^{OVER} | ±0.3 |
| ANGULAR | ±3° |

| | | | | | |
|---|-----------------------------|---------------------------------------|--------|-----------------|----------|
| THIS DRAWING CONTAINS INFORMATION THAT IS PROPRIETARY TO MOLEX ELECTRONIC TECHNOLOGIES, LLC AND SHOULD NOT BE USED WITHOUT WRITTEN PERMISSION | | 52746-***19 | | MODEL NO. | |
| DIMENSION UNITS | SCALE | CURRENT REV DESC: | | | |
| mm | NTS | molex | | | |
| GENERAL TOLERANCES (UNLESS SPECIFIED) | | 0.5 FPC CONN. ZIF SMT R/A -LEAD FREE- | | | |
| ANGULAR TOL ± 3.0° | | PRODUCT CUSTOMER DRAWING | | | |
| 4 PLACES ± 0.2 | EC NO: 719890 | DOCUMENT NUMBER | | | |
| 3 PLACES ± 0.25 | DRWN: NARENC 2022/08/24 | DOC TYPE DOC PART REVISION | | | |
| 2 PLACES ± 0.3 | CHK'D: SMARUYAMA 2022/09/05 | SD-52746-028 | | | |
| 1 PLACE ± | APPR: YNAITO 2022/09/05 | PSD 001 F | | | |
| 0 PLACES ± | INITIAL REVISION: | SHEET NUMBER | | | |
| DRAFT WHERE APPLICABLE MUST REMAIN WITHIN DIMENSIONS | | DRWN: MNABEI 2008/06/27 | SERIES | MATERIAL NUMBER | CUSTOMER |
| THIRD ANGLE PROJECTION | | 2008/06/30 | 52746 | GENERAL MARKET | 2 OF 2 |



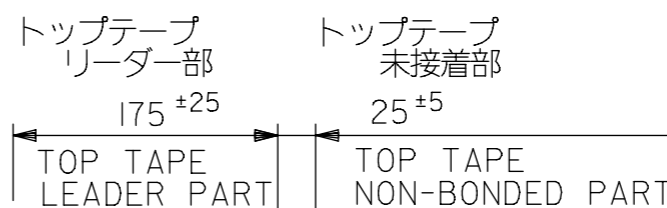
DETAIL F

注記 NOTES

1. 製品番号 52746-**19 の梱包状態はアクチュエータがロックした状態とする。
 詳細寸法については図面 SD-52746-028 を参照下さい。
 IN THE PACKAGE,ACTUATOR OF PART NO.52746-**19 SHOULD BE LOCKED
 RE DETAILED DIMENSIONS,SEE SD-52746-028.

2. 梱包数量：1000個/リール
 NUMBER OF CONNECTORS:1000PCS/REEL

3. リードテープ長さ LEAD TAPE LENGTH



4. 材料 キャリアテープ：ポリプロピレン (PP)
 トップテープ：PET, PE, PEF
 リール：ポリスチレン (PS) <リサイクル材を含む>

MATERIAL CARRIER TAPE:POLYPROPYLENE
 TOP TAPE:PET,PE,PEF
 REEL:POLYSTYREN(PS)
 <RECYCLE MATERIAL CONTAINED>

5. 本製品は 52746-**90 の鉛フリー品です

THIS PRODUCT IS LEAD FREE OF 52746-**90

6.本製品は乾燥剤入り、ハイバリア梱包仕様である。

THIS PRODUCT IS HIGH BARRIER PACKAGE WITH DESICCANT.

52746-**70

MODEL NO.

THIS DRAWING CONTAINS INFORMATION THAT IS PROPRIETARY TO MOLEX ELECTRONIC TECHNOLOGIES, LLC AND SHOULD NOT BE USED WITHOUT WRITTEN PERMISSION

| | | |
|-----------------|-------|-------------------|
| DIMENSION UNITS | SCALE | CURRENT REV DESC: |
| mm | NTS | |

| | | | | | |
|---------------------------------------|---|-----------------|---|-------------------|------------|
| GENERAL TOLERANCES (UNLESS SPECIFIED) | | ANGULAR TOL ± ° | | EC NO: 719890 | |
| 4 PLACES | ± | 4 PLACES | ± | DRWN: NARENC | 2022/08/24 |
| 3 PLACES | ± | 3 PLACES | ± | CHK'D: SMARUYAMA | 2022/09/05 |
| 2 PLACES | ± | 2 PLACES | ± | APPR: YNAITO | 2022/09/05 |
| 1 PLACE | ± | 1 PLACE | ± | INITIAL REVISION: | |
| 0 PLACES | ± | 0 PLACES | ± | DRWN: MNABEI | 2008/06/27 |
| | | | | APPR: NUKITA | 2008/06/30 |

molex

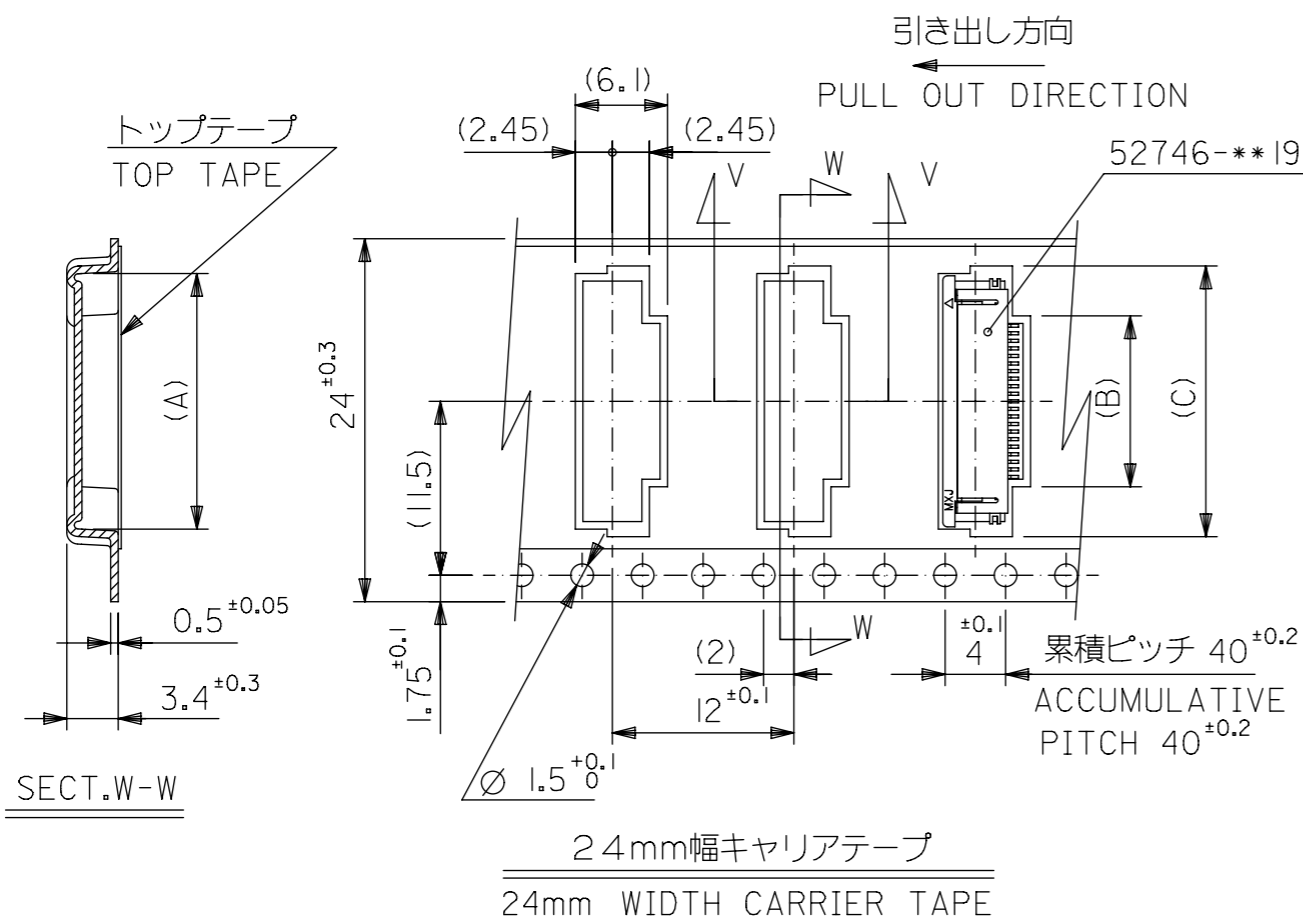
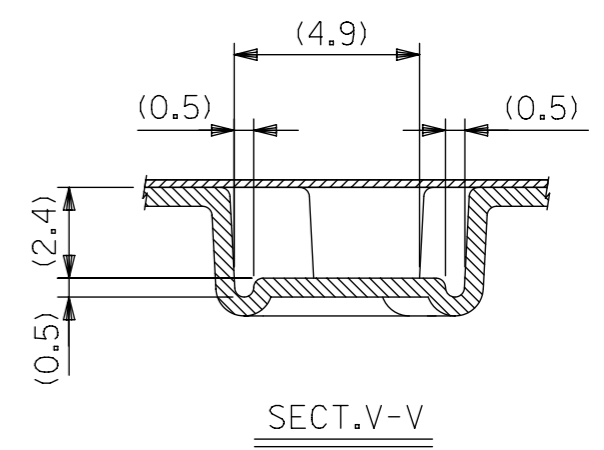
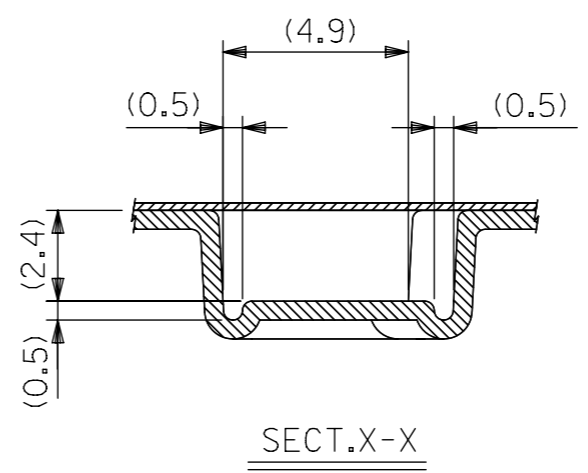
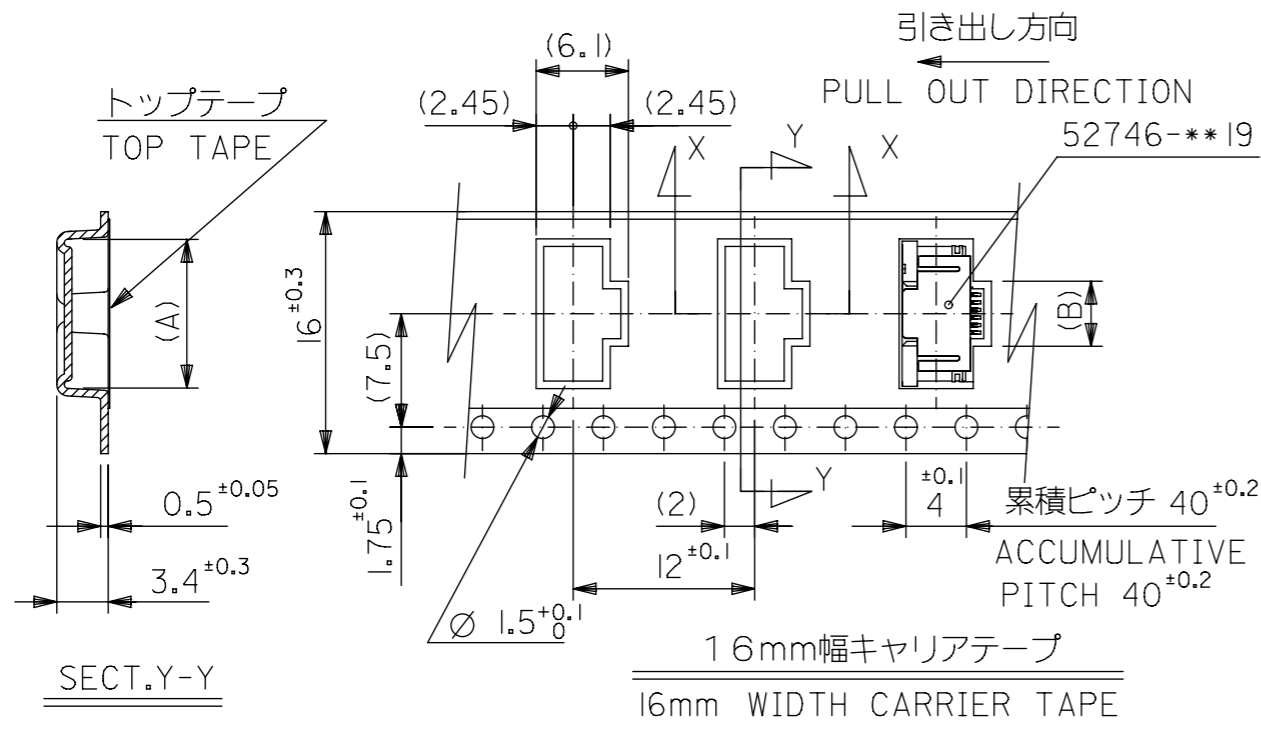
0.5 FPC CONN ZIF SMT RA
-LEAD FREE-

PRODUCT CUSTOMER DRAWING

| | | | |
|-----------------|----------|----------|----------|
| DOCUMENT NUMBER | DOC TYPE | DOC PART | REVISION |
| SD-52746-029 | PSD | 003 | E |

| | |
|--|-------|
| GENERAL TOLERANCES (UNLESS SPECIFIED) | |
| 10 ^{UNDER} | ±0.2 |
| 10 ^{OVER} 30 ^{UNDER} | ±0.25 |
| 30 ^{OVER} | ±0.3 |
| ANGULAR | ±3° |

| | | | | | | |
|--|------------------------|---------|--------|-----------------|----------------|--------------|
| DRAFT WHERE APPLICABLE MUST REMAIN WITHIN DIMENSIONS | THIRD ANGLE PROJECTION | DRAWING | SERIES | MATERIAL NUMBER | CUSTOMER | SHEET NUMBER |
| | | A3-SIZE | 52746 | SEE TABLE | GENERAL MARKET | 1 OF 2 |



| | | | | | | | |
|--------------------------------|------|------|-------|------|------------|-------------------|----------------|
| 24 | 29.4 | 25.4 | 17.4 | 10.8 | 16.4 | 52746-2070 | 20 |
| | | | 16.9 | 10.3 | 15.9 | -1970 | 19 |
| | | | 16.4 | 9.8 | 15.4 | -1870 | 18 |
| | | | 15.9 | 9.3 | 14.9 | -1770 | 17 |
| | | | 15.4 | 8.8 | 14.4 | -1670 | 16 |
| | | | 14.9 | 8.3 | 13.9 | -1570 | 15 |
| | | | 14.4 | 7.8 | 13.4 | -1470 | 14 |
| | | | 13.9 | 7.3 | 12.9 | -1370 | 13 |
| | | | 13.4 | 6.8 | 12.4 | -1270 | 12 |
| | | | 12.9 | 6.3 | 11.9 | -1170 | 11 |
| | | | 12.4 | 5.8 | 11.4 | -1070 | 10 |
| 11.9 | 5.3 | 10.9 | -0970 | 9 | | | |
| 11.4 | 4.8 | 10.4 | -0870 | 8 | | | |
| 10.9 | 4.3 | 9.9 | -0770 | 7 | | | |
| 10.4 | 3.8 | 9.4 | -0670 | 6 | | | |
| 16 | 21.4 | 17.4 | 2.8 | 8.4 | 52746-0470 | 4 | |
| キャリアテープ幅 CARRIER TAPE WIDTH | E | D | (C) | (B) | (A) | MATERIAL NO. | 極数 CIRCUITS |

| GENERAL TOLERANCES (UNLESS SPECIFIED) | |
|--|-------|
| 10 ^{UNDER} | ±0.2 |
| 10 ^{OVER} 30 ^{UNDER} | ±0.25 |
| 30 ^{OVER} | ±0.3 |
| ANGULAR | ±3° |

THIS DRAWING CONTAINS INFORMATION THAT IS PROPRIETARY TO MOLEX ELECTRONIC TECHNOLOGIES, LLC AND SHOULD NOT BE USED WITHOUT WRITTEN PERMISSION

mm NTS SCALE

GENERAL TOLERANCES (UNLESS SPECIFIED)

ANGULAR TOL ± °

4 PLACES ±

3 PLACES ±

2 PLACES ±

1 PLACE ±

0 PLACES ±

DRAFT WHERE APPLICABLE MUST REMAIN WITHIN DIMENSIONS

THIRD ANGLE PROJECTION

DRAWING A3-SIZE

SERIES 52746

MATERIAL NUMBER SEE TABLE

CUSTOMER GENERAL MARKET

SHEET NUMBER 2 OF 2

EC NO: 719890

DRWN: MNABEI

APPR: NUKITA

2022/08/24

2022/09/05

2022/09/05

INITIAL REVISION:

DRWN: MNABEI

APPR: NUKITA

2008/06/27

2008/06/30

52746-**70 MODEL NO.

molex

0.5 FPC CONN ZIF SMT RA -LEAD FREE-

PRODUCT CUSTOMER DRAWING

DOCUMENT NUMBER SD-52746-029

DOC TYPE PSD

DOC PART 003

REVISION E