

MATERIALS AND FINISHES:

BODY: BRASS  
 PLATED: NICKEL (200μ-in MIN)

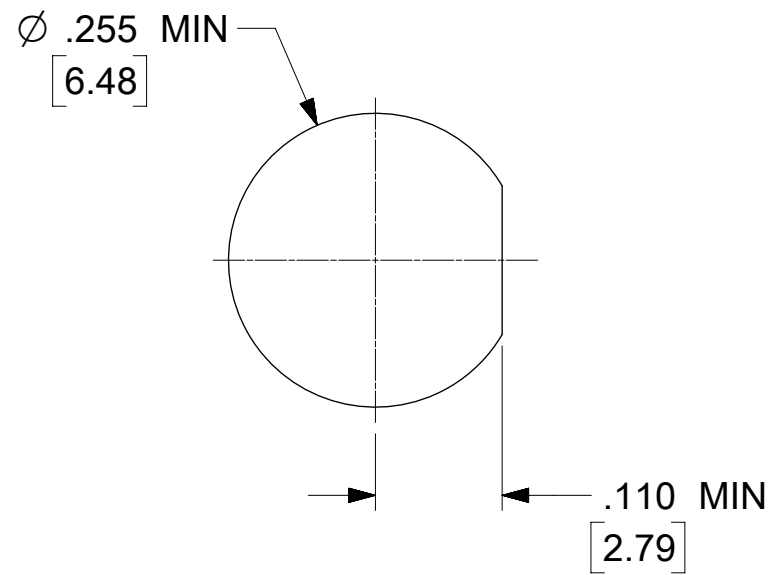
CENTER CONTACT: BRASS  
 PLATED: GOLD (10μ-in MIN)  
 OVER NICKEL (150μ-in MIN)

INSULATOR: PTFE

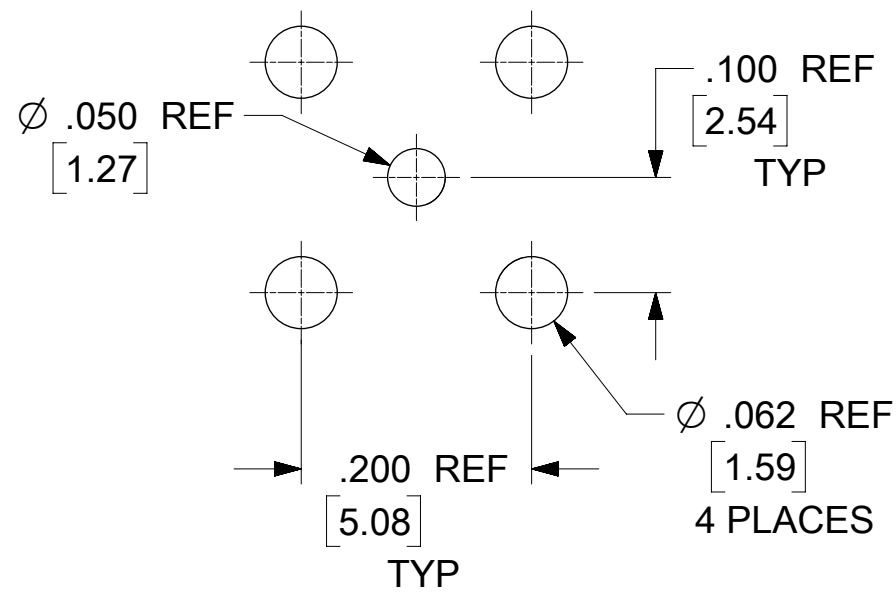
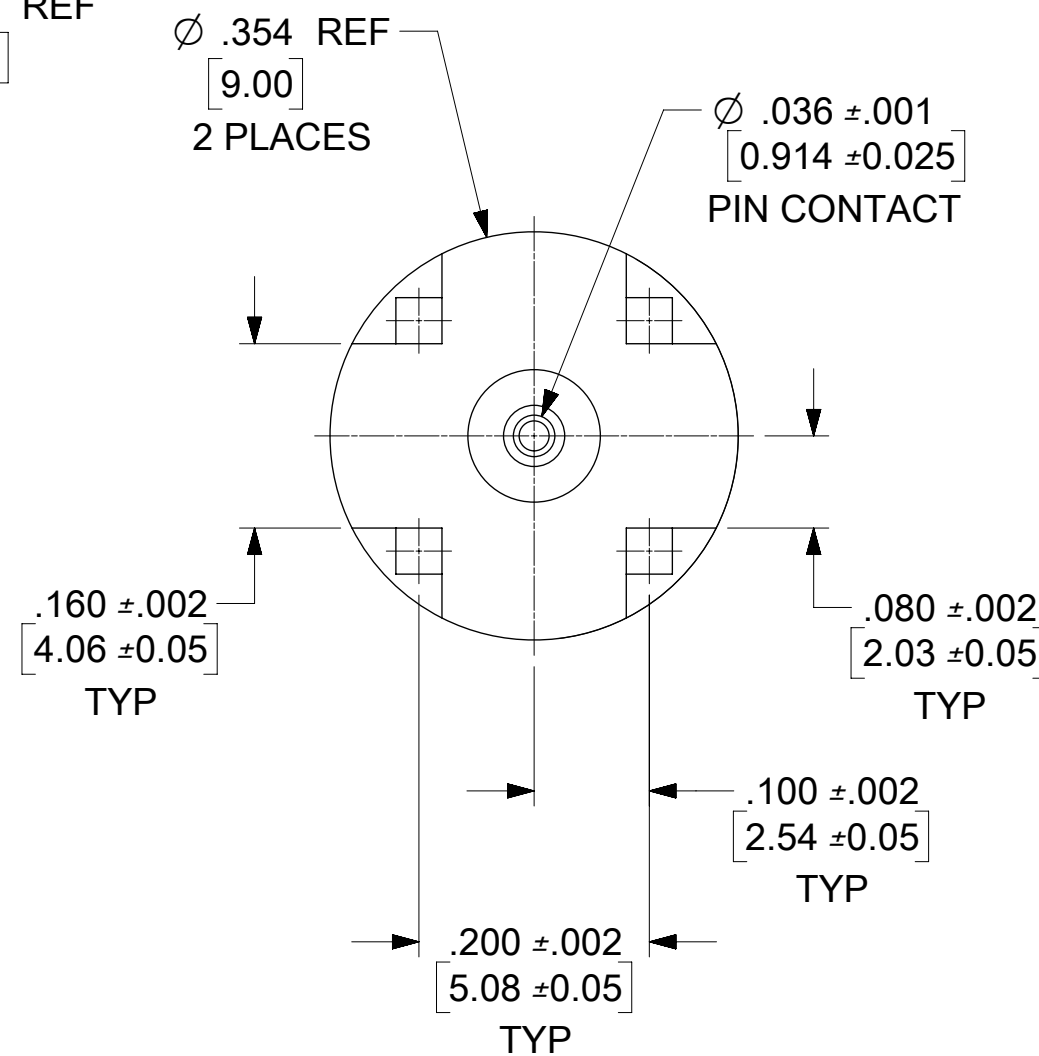
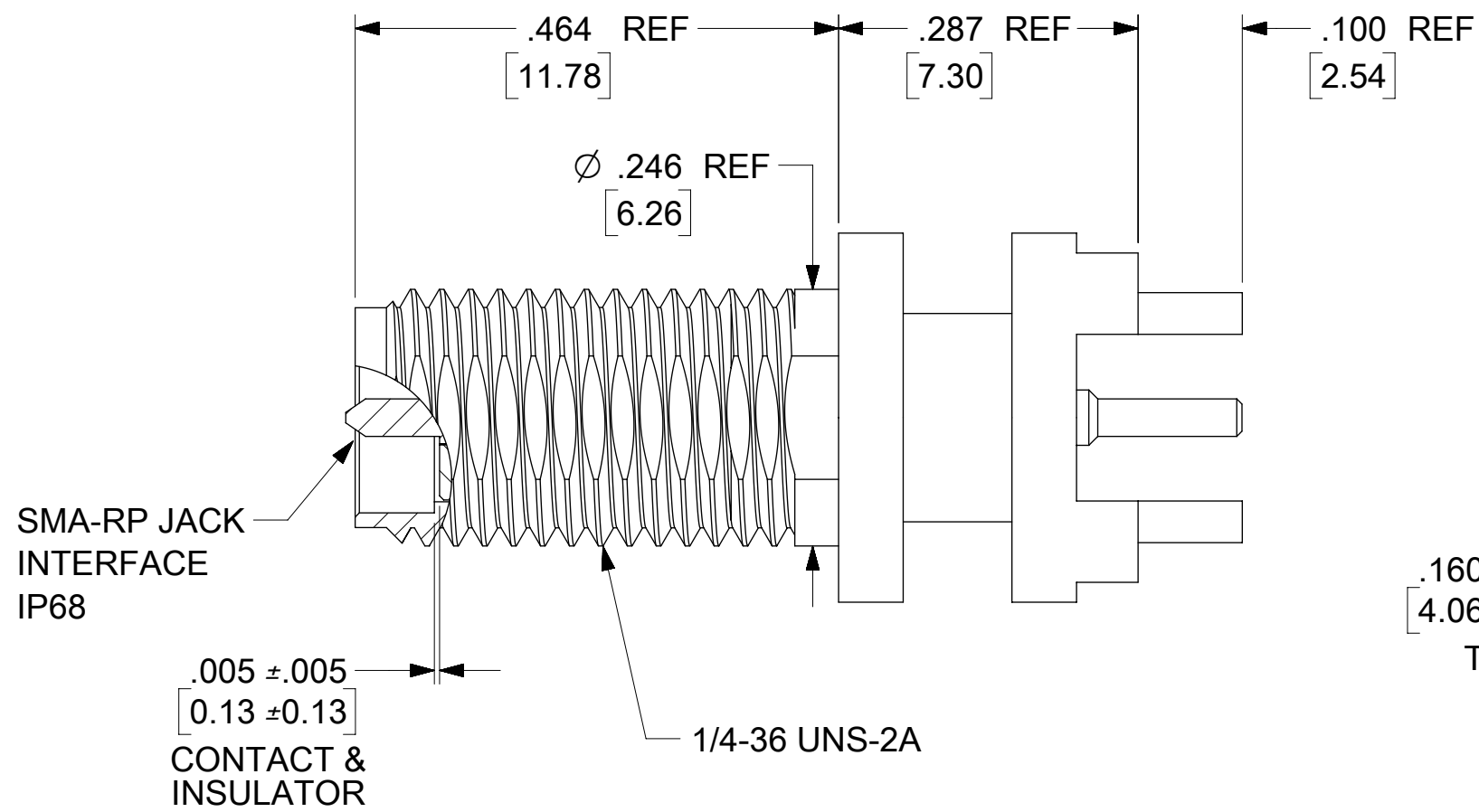
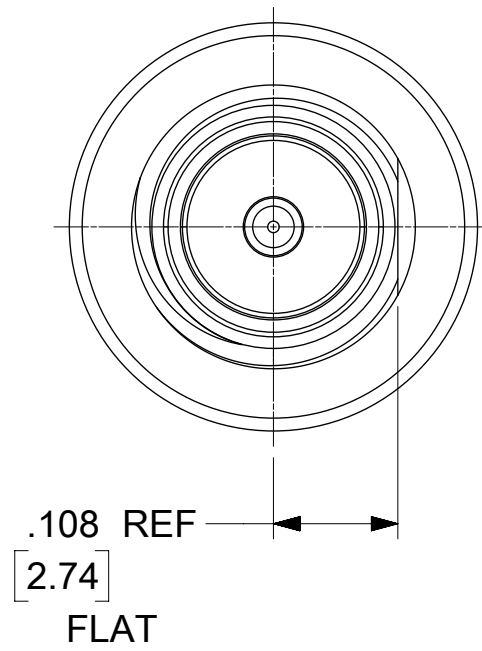
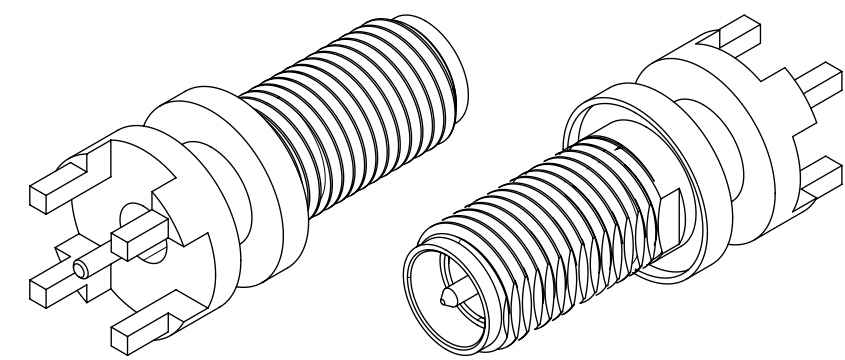
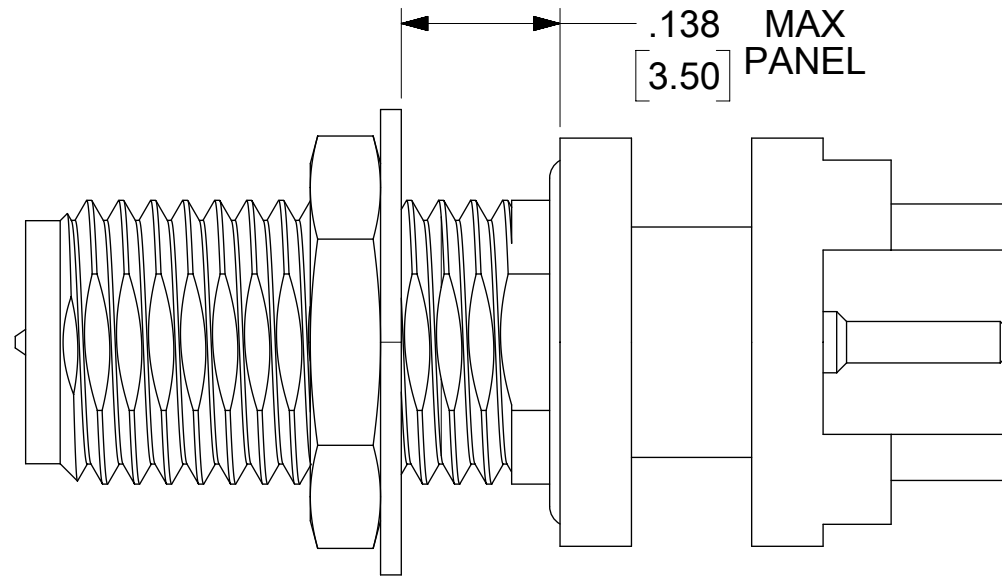
JAM NUT: BRASS  
 PLATED: NICKEL (100μ-in MIN)

LOCKWASHER: PHOSPHOR BRONZE  
 PLATED: NICKEL (100μ-in MIN)

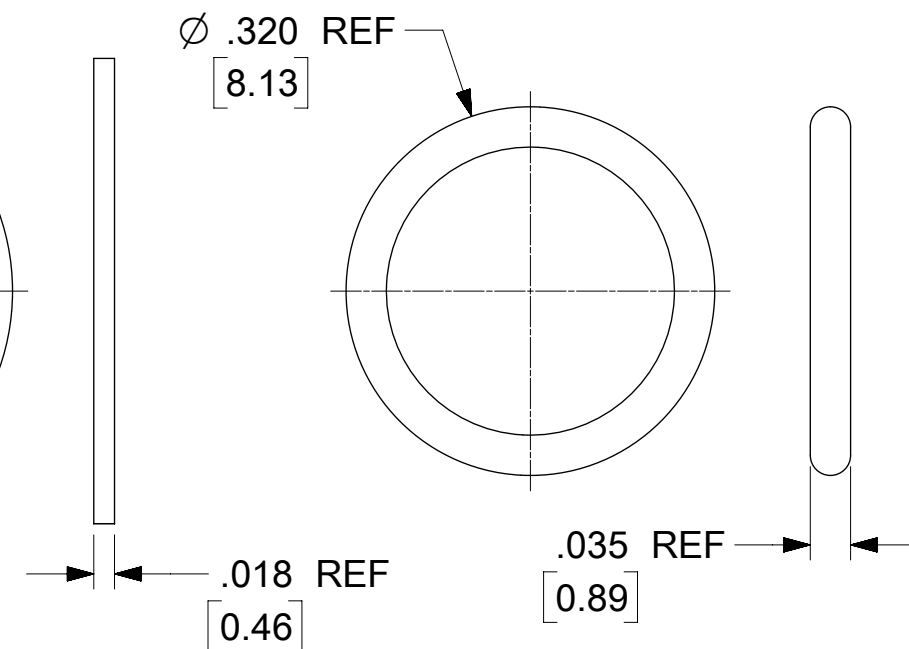
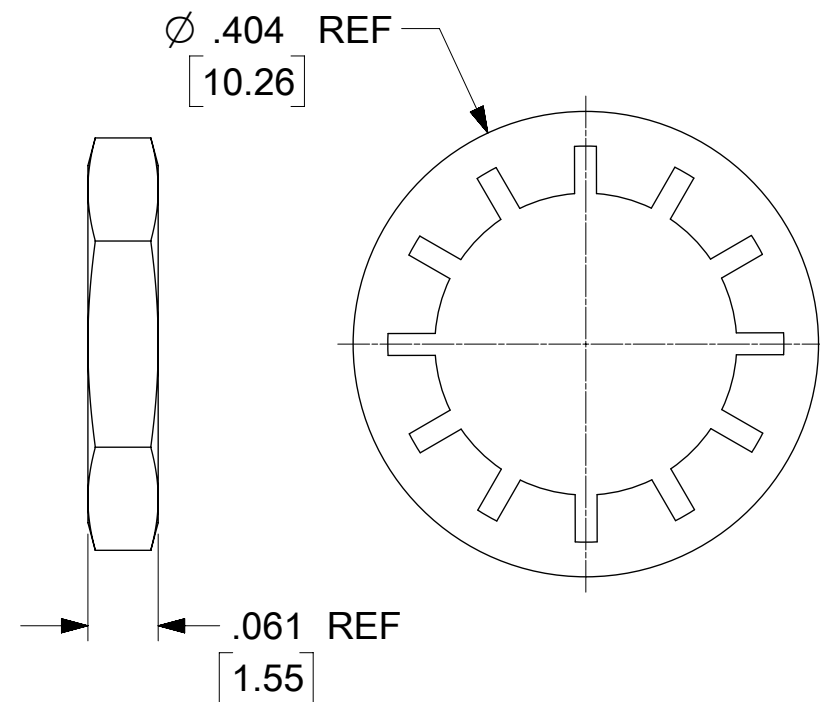
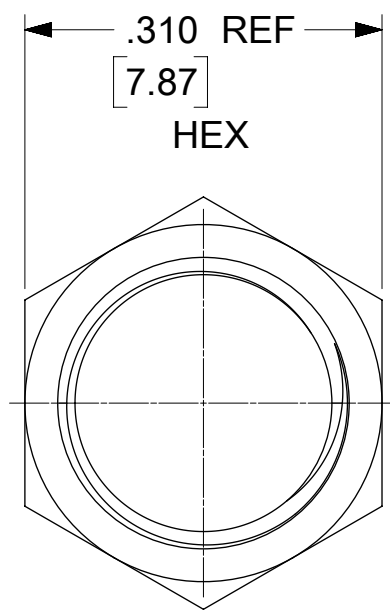
O-RING: SILICON RUBBER



RECOMMENDED  
 PANEL CUTOUT



RECOMMENDED  
 PCB HOLE PATTERN



73251-9761	NOT INCLUDED	NA	NOT INCLUDED	NA	NOT INCLUDED	NA
73251-9760	INCLUDED	89674-1613	INCLUDED	89674-1509	INCLUDED	89674-4313
PART NO.	JAM NUT	LOCK WASHER	O-RING			

SYMBOLS		THIS DRAWING CONTAINS INFORMATION THAT IS PROPRIETARY TO MOLEX ELECTRONIC TECHNOLOGIES, LLC AND SHOULD NOT BE USED WITHOUT WRITTEN PERMISSION					
▽ = 0	4 PLACES ±	DIMENSION UNITS		SCALE		CURRENT REV DESC: RELEASED	
▽ = 0	3 PLACES ±	INCH					
▽ = 0	2 PLACES ±	GENERAL TOLERANCES (UNLESS SPECIFIED)					
▽ = 0	1 PLACE ±	MM	INCH				
▽ = 0	0 PLACES ±			EC NO: 173818			
▽ = 0	ANGULAR TOL ± 2.0°			DRWN: APRAKASH01 2018/03/16		2018/05/28	
▽ = 0		THIRD ANGLE PROJECTION		DRAWING		SERIES	
		C-SIZE		73251		MATERIAL NUMBER	
		SEE TABLE		CUSTOMER		SHEET NUMBER	

**molex**

SMA-RP JACK VERTICAL IP68  
 PCB TH TREPAN/GASKET, SMA-RP-J/PCB, EWR-11889

PRODUCT CUSTOMER DRAWING

DOCUMENT NUMBER: **732519760** | DOC TYPE: PSD | DOC PART: 000 | REVISION: A

MATERIAL NUMBER: SEE TABLE | CUSTOMER: | SHEET NUMBER: 1 OF 1