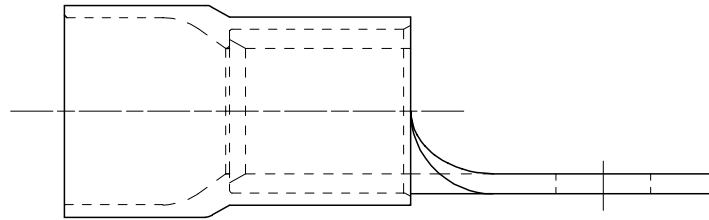
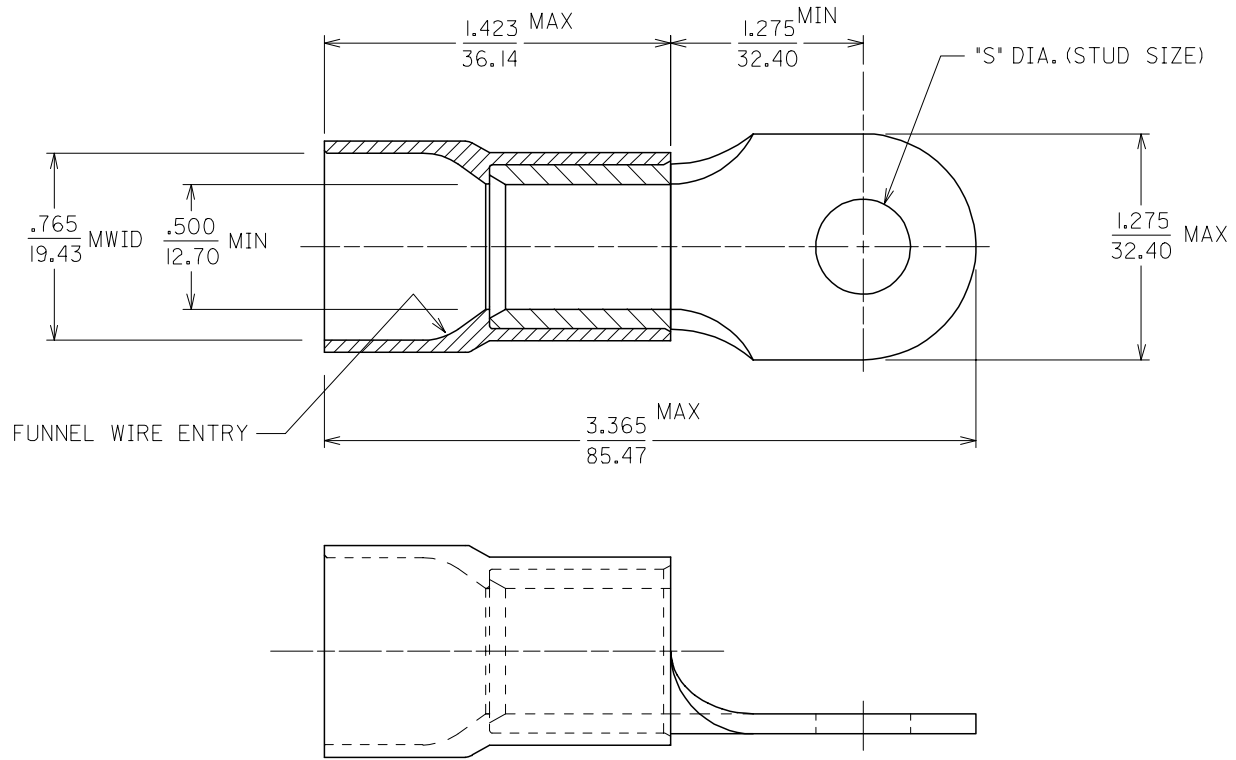


MATERIAL NUMBER	ALTERNATE NUMBER	STUD SIZES	"S"
190670114	J-987-12	1/2	.515
190670115	J-987-34	3/4	.781
190670116	J-987-58	5/8	.656



NOTES:

1. MATERIAL: COPPER .083 THICK
PLATING: ELECTROPLATE TIN
2. INSULATION: YELLOW NYLON 6/6
3. MWID=MAXIMUM WIRE INSULATION DIA.
4. ALL DIMENSIONS IN INCHES/(MM).
5. ASSEMBLY IS ROHS COMPLIANT.

CHG TITLE - ADDED ROHS EC NO: ETC2007-0336 DRWNER: DRWNERHLE 2007/03/14 CHKD: JMAGNEIL 2007/03/14 APPR: JMAGNEIL 2007/03/15	QUALITY SYMBOLS ▽=0 ▽=0	GENERAL TOLERANCES (UNLESS SPECIFIED) <table border="1"> <thead> <tr> <th></th> <th>mm</th> <th>INCH</th> </tr> </thead> <tbody> <tr> <td>4 PLACES</td> <td>± .005</td> <td>± .0005</td> </tr> <tr> <td>3 PLACES</td> <td>± .010</td> <td>± .0010</td> </tr> <tr> <td>2 PLACES</td> <td>± 0.13</td> <td>± .01</td> </tr> <tr> <td>1 PLACE</td> <td>± 0.25</td> <td>± .01</td> </tr> </tbody> </table> ANGULAR ±1/2°		mm	INCH	4 PLACES	± .005	± .0005	3 PLACES	± .010	± .0010	2 PLACES	± 0.13	± .01	1 PLACE	± 0.25	± .01	DIMENSION STYLE IN/MM	SCALE ---	DESIGN UNITS INCH	THIRD ANGLE PROJECTION
		mm	INCH																		
	4 PLACES	± .005	± .0005																		
	3 PLACES	± .010	± .0010																		
2 PLACES	± 0.13	± .01																			
1 PLACE	± 0.25	± .01																			
DRAWN BY EDB	DATE 2001/02/02	TITLE NYLAKRIMP FUNNEL ENTRY RING TONGUE TERMINAL, 2/0 AWG																			
CHECKED BY HEB	DATE 2001/02/02	MOLEX INCORPORATED																			
APPROVED BY RWD	DATE 2001/02/02	MATERIAL NO. SEE CHART	DOCUMENT NO. SD-19067-010	SHEET NO. 1 OF 1																	