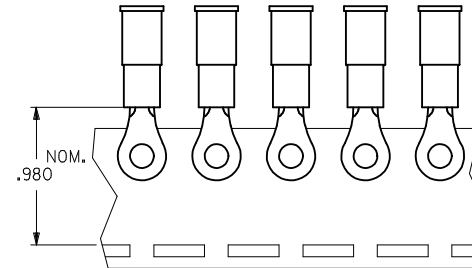
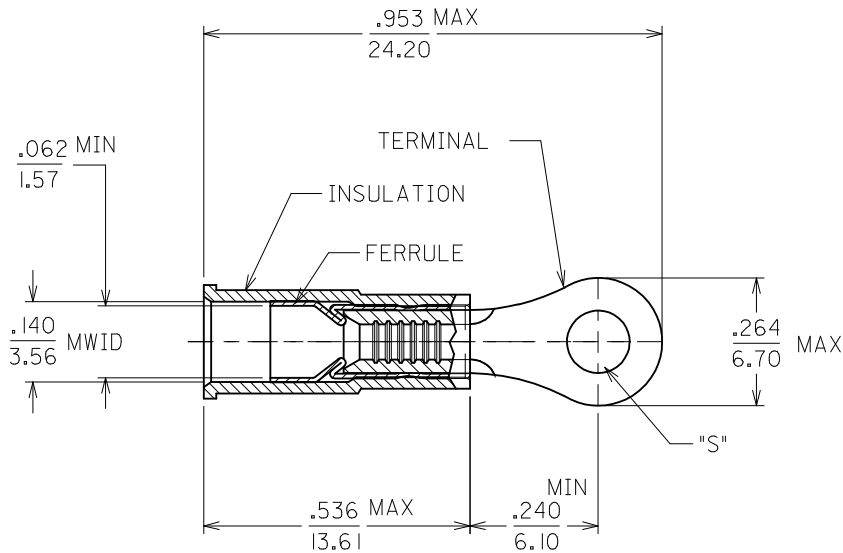


| MATERIAL NUMBER | ALTERNATE NUMBER | "S" | WIRE RANGE | COLOR | PACKAGING |
|-----------------|------------------|-----------|------------|-------|----------------|
| 190570026 | A-532-04 | .119/3.02 | 22-18 AWG | RED | LOOSE PIECE |
| 190570028 | A-532-06 | .146/3.70 | 22-18 AWG | RED | |
| 190570030 | A-532-08 | .173/4.39 | 22-18 AWG | RED | |
| 190570027 | A-532-04T | .119/3.02 | 22-18 AWG | RED | TAPE |
| 190570029 | A-532-06T | .146/3.70 | 22-18 AWG | RED | |
| 190570031 | A-532-08T | .173/4.39 | 22-18 AWG | RED | |

(A1)



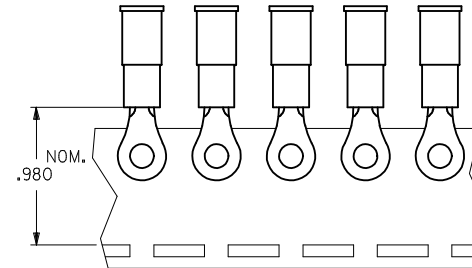
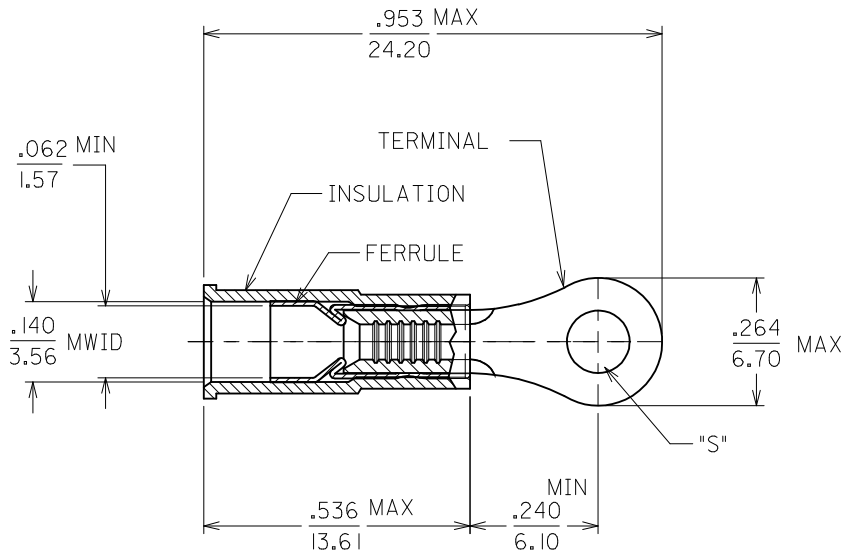
- MATERIAL: TERMINAL: COPPER
.028/.711 THICK.
FUNNEL FERRULE: BRASS
PLATING: ELECTRO TIN
INSULATION: NYLON 6/6
COLOR: SEE CHART
- MWID = MAXIMUM WIRE INSULATION DIAMETER
- ALL DIMENSIONS = INCHES / MM
- PARTS ARE ROHS COMPLIANT.

CUSTOMER DRAWING

| ALT NUMBER TYPO EC NO: IFC2017-0325 DRAWING: JAS01 2016/09/23 CHKD: JMACNEIL 2016/09/23 APPR: JMACNEIL 2016/10/06 A1 | QUALITY SYMBOLS ▽=0 ▽=0 | GENERAL TOLERANCES (UNLESS SPECIFIED) <table border="1"> <thead> <tr> <th></th> <th>mm</th> <th>INCH</th> </tr> </thead> <tbody> <tr> <td>4 PLACES</td> <td>± ---</td> <td>± ---</td> </tr> <tr> <td>3 PLACES</td> <td>± ---</td> <td>± .005</td> </tr> <tr> <td>2 PLACES</td> <td>± 0.13</td> <td>± .01</td> </tr> <tr> <td>1 PLACE</td> <td>± 0.25</td> <td>± ---</td> </tr> <tr> <td>0 PLACE</td> <td>±</td> <td>±</td> </tr> </tbody> </table> | | mm | INCH | 4 PLACES | ± --- | ± --- | 3 PLACES | ± --- | ± .005 | 2 PLACES | ± 0.13 | ± .01 | 1 PLACE | ± 0.25 | ± --- | 0 PLACE | ± | ± | DIMENSION STYLE IN/MM DRAWN BY DATE EDB 2001/03/23 CHECKED BY DATE HEB 2001/03/23 APPROVED BY DATE | SCALE --- DESIGN UNITS INCH THIRD ANGLE PROJECTION | TITLE RING TONGUE TERMINAL AVIKRIMP 500 SERIES molex | MATERIAL NO. SEE CHART SIZE B | DOCUMENT NO. SD-19057-005 | SHEET NO. 1 OF 1 |
|--|-------------------------------|---|--------|----|------|----------|-------|-------|----------|-------|--------|----------|--------|-------|---------|--------|-------|---------|---|---|--|--|---|--|------------------------------|---------------------|
| | | mm | INCH | | | | | | | | | | | | | | | | | | | | | | | |
| | 4 PLACES | ± --- | ± --- | | | | | | | | | | | | | | | | | | | | | | | |
| | 3 PLACES | ± --- | ± .005 | | | | | | | | | | | | | | | | | | | | | | | |
| 2 PLACES | ± 0.13 | ± .01 | | | | | | | | | | | | | | | | | | | | | | | | |
| 1 PLACE | ± 0.25 | ± --- | | | | | | | | | | | | | | | | | | | | | | | | |
| 0 PLACE | ± | ± | | | | | | | | | | | | | | | | | | | | | | | | |
| ANGLUAR ±1/2° DRAFT WHERE APPLICABLE MUST REMAIN WITHIN DIMENSIONS | | THIS DRAWING CONTAINS INFORMATION THAT IS PROPRIETARY TO MOLEX INCORPORATED AND SHOULD NOT BE USED WITHOUT WRITTEN PERMISSION | | | | | | | | | | | | | | | | | | | | | | | | |

| MATERIAL NUMBER | ALTERNATE NUMBER | "S" | WIRE RANGE | COLOR | PACKAGING |
|-----------------|------------------|-----------|------------|-------|----------------|
| 190570026 | A-532-04 | .119/3.02 | 22-18 AWG | RED | LOOSE PIECE |
| 190570028 | A-532-06 | .146/3.70 | 22-18 AWG | RED | |
| 190570030 | A-532-08 | .173/4.39 | 22-18 AWG | RED | |
| 190570027 | A-532-04T | .119/3.02 | 22-18 AWG | RED | TAPE |
| 190570029 | A-532-06T | .146/3.70 | 22-18 AWG | RED | |
| 190570031 | A-532-08T | .173/4.39 | 22-18 AWG | RED | |

(A1)



- MATERIAL: TERMINAL: COPPER
.028/.711 THICK.
FUNNEL FERRULE: BRASS
PLATING: ELECTRO TIN
INSULATION: NYLON 6/6
COLOR: SEE CHART
- MWID = MAXIMUM WIRE INSULATION DIAMETER
- ALL DIMENSIONS = INCHES / MM
- PARTS ARE ROHS COMPLIANT.

| | | | | | | | |
|--|--------------------------------------|---|-----------------------------------|--|------------------------------|-----------------------------|------------------------|
| ALT NUMBER TYPO EC NO: IFC2017-0325 DRAWING: JAS01 2016/09/23 CHKD: JMAGNEIL 2016/09/23 APPR: JMAGNEIL 2016/10/06 A1 | QUALITY SYMBOLS ▽=0 ▽=0 | GENERAL TOLERANCES (UNLESS SPECIFIED) | | DIMENSION STYLE IN/MM | SCALE --- | DESIGN UNITS INCH | THIRD ANGLE PROJECTION |
| | | 4 PLACES ± --- ± --- | DRAWN BY DATE EDB 2001/03/23 | TITLE RING TONGUE TERMINAL AVIKRIMP 500 SERIES molex | | | |
| | | 3 PLACES ± --- ± .005 | CHECKED BY DATE HEB 2001/03/23 | | | | |
| | | 2 PLACES ± 0.13 ± .01 | APPROVED BY DATE | MATERIAL NO. SEE CHART | DOCUMENT NO. SD-19057-005 | SHEET NO. 1 OF 1 | |
| ANGULAR ± 1/2° DRAFT WHERE APPLICABLE MUST REMAIN WITHIN DIMENSIONS | | THIS DRAWING CONTAINS INFORMATION THAT IS PROPRIETARY TO MOLEX INCORPORATED AND SHOULD NOT BE USED WITHOUT WRITTEN PERMISSION | | | | | |

CUSTOMER DRAWING