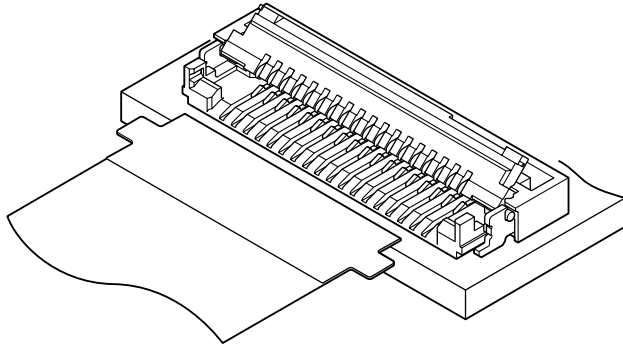




FHY CONNECTOR

0.5mm pitch/Connectors for FPC



The connector for the 0.3 mm thickness FPC with a mounting height of 1.3 mm. FPC with protrusion prevents incomplete insertion and mis-insertion, so that it provides reliable connection.

- A FPC with protrusion improves operability and reliability
- Reliable cover
- Self-lock mechanism enables the cover to close by one-touch operation

Specifications

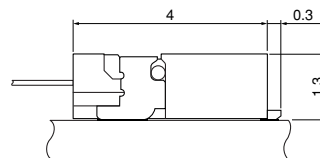
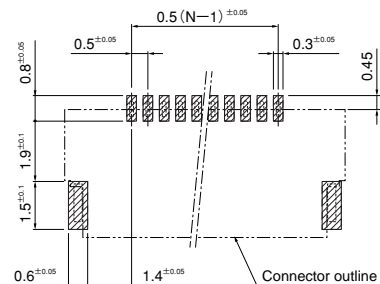
- Current rating: 0.5 A AC, DC
- Voltage rating: 50 V AC, DC
- Temperature range: -25°C to +85°C
(including temperature rise in applying electrical current)
- Contact resistance: Initial value/ 60 mΩ max.
After environmental tests/ 60 mΩ max.
(variation from initial value)
- Insulation resistance: 500 MΩ min.
- Withstanding voltage: 200 VAC/minute
- Applicable FPC: Conductor pitch/ 0.5 mm
Conductor width/ 0.35 mm
Mating part thickness/ 0.3 ± 0.03 mm

- * Refer to "General Instruction and Notice when using Terminals and Connectors" at the end of this catalog.
- * Contact JST for details.
- * Compliant with RoHS.

Standards

Recognized E60389

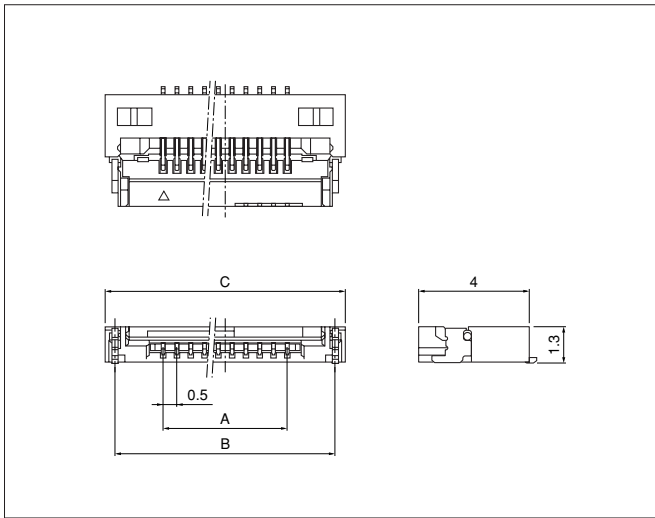
PC board layout and Assembly layout



- Note: 1. The above figure is the figure viewed from the connector mounting side.
2. Tolerances are non-cumulative: ±0.05 mm for all centers. The dimensions above should serve as a guideline. Contact JST for details.
3. N --- Number of circuits

FHY CONNECTOR

Connector



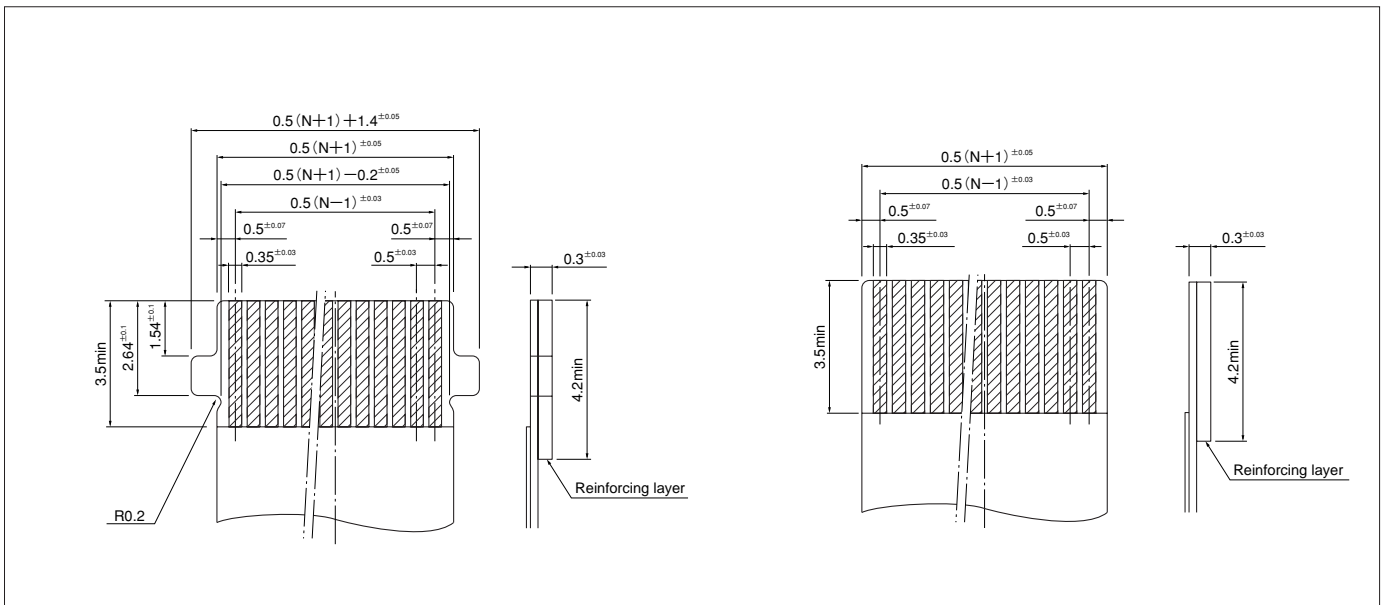
Circuits	Model No.	Dimensions (mm)			Q'ty/ reel
		A	B	C	
10	10FHY-RSM1-GAN-TF	4.5	8.0	8.7	3,000
18	18FHY-RSM1-GAN-TF	8.5	12.0	12.7	3,000
28	28FHY-RSM1-GAN-TF	13.5	17.0	17.7	3,000
30	30FHY-RSM1-GAN-TF	14.5	18.0	18.7	3,000
35	35FHY-RSM1-GAN-TF	17.0	20.5	21.2	3,000
40	40FHY-RSM1-GAN-TF	19.5	23.0	23.7	3,000
50	50FHY-RSM1-GAN-TF	24.5	28.0	28.7	3,000
60	60FHY-RSM1-GAN-TF	29.5	33.0	33.7	3,000

Material and Finish

Contact: Copper alloy, nickel-undercoated, gold-plated (nickel-stripe)
Housing: Heat resisting resin, UL94V-0, natural
Solder tab: Copper alloy, copper-undercoated, tin-plated (reflow treatment)
Cover: Heat resisting resin, UL94V-0, black

RoHS compliance This product displays (LF)(SN) on a label.
Note: 1. The products listed above are supplied on embossed-tape.
2. Contact JST for tin-plated products.

Lead section dimensions of FPC



Note: N --- Number of circuits