

National Semiconductor is now part of  
Texas Instruments.

Search <http://www.ti.com/> for the latest technical  
information and details on our current products and services.

## DS15BR400/DS15BR401

### 4-Channel LVDS Buffer/Repeater with Pre-Emphasis

#### General Description

The DS15BR400/DS15BR401 are four channel LVDS buffer/repeaters capable of data rates of up to 2 Gbps. High speed data paths and flow-through pinout minimize internal device jitter and simplify board layout, while pre-emphasis overcomes ISI jitter effects from lossy backplanes and cables. The differential inputs interface to LVDS, and Bus LVDS signals such as those on National's 10-, 16-, and 18-bit Bus LVDS SerDes, as well as CML and LVPECL. The differential inputs and outputs of the DS15BR400 are internally terminated with 100Ω resistors to improve performance and minimize board space. The DS15BR401 does not have input termination resistors. The repeater function is especially useful for boosting signals for longer distance transmission over lossy cables and backplanes.

The DS15BR400/DS15BR401 are powered from a single 3.3V supply and consume 578 mW (typ). They operate over the full -40°C to +85°C industrial temperature range and are available in space saving LLP-32 and TQFP-48 packages.

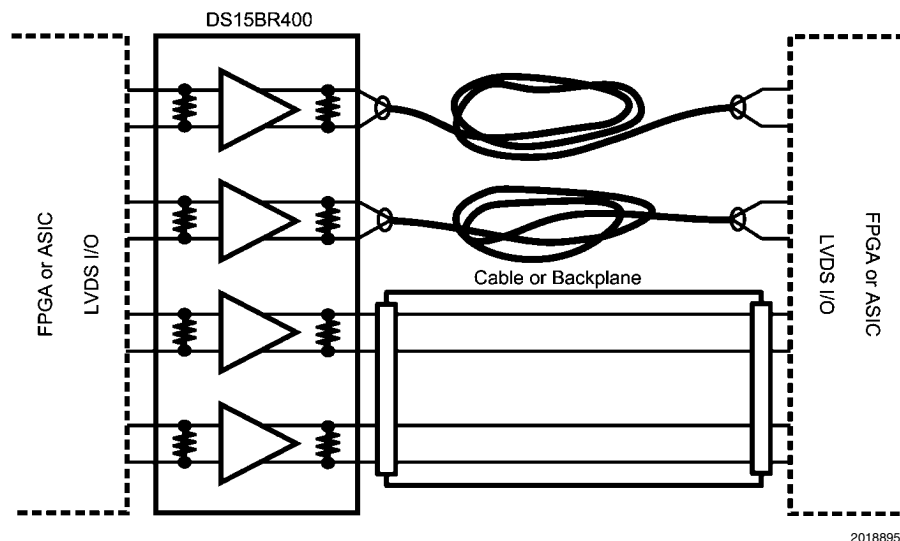
#### Features

- DC to 2 Gbps low jitter, high noise immunity, low power operation
- 6 dB of pre-emphasis drives lossy backplanes and cables
- LVDS/CML/LVPECL compatible input, LVDS output
- On-chip 100 Ω output termination, optional 100 Ω input termination
- 15 kV ESD protection on LVDS inputs and outputs
- Single 3.3V supply
- Industrial -40 to +85°C temperature range
- Space saving LLP-32 or TQFP-48 packages

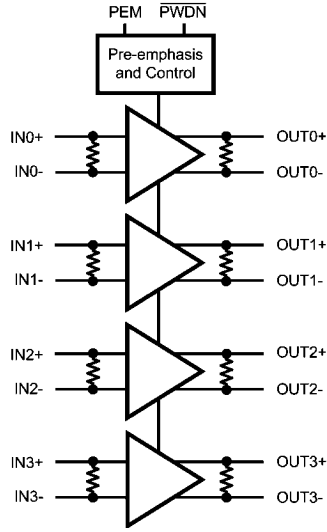
#### Applications

- Cable extension applications
- Signal repeating and buffering
- Digital routers

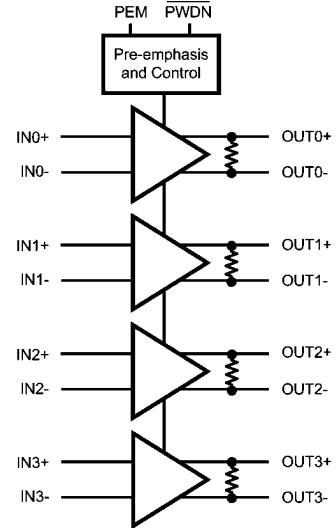
#### Typical Application



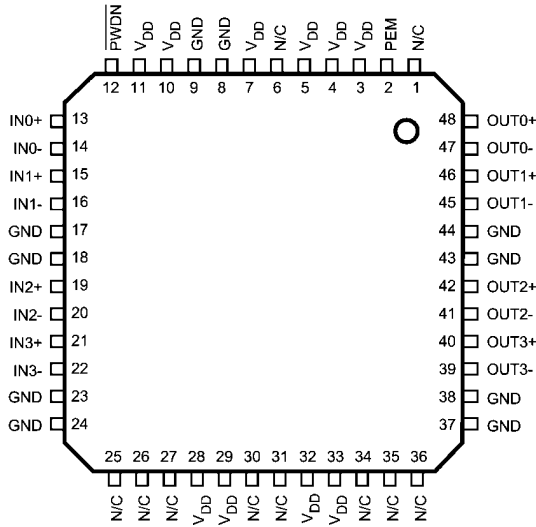
# Block and Connection Diagrams



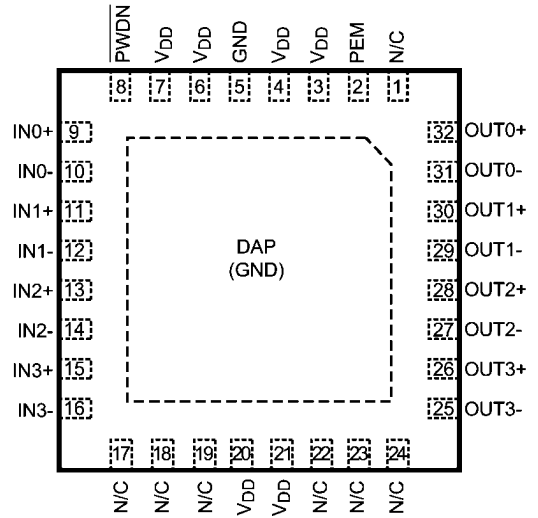
20188901  
**DS15BR400 Block Diagram**



20188903  
**DS15BR401 Block Diagram**



20188902  
**TQFP Pinout - Top View**



20188912  
**LLP Pinout - Top View**

## Pin Descriptions

Pin Name	TQFP Pin Number	LLP Pin Number	I/O, Type	Description
<b>DIFFERENTIAL INPUTS</b>				
IN0+	13	9	I, LVDS	Channel 0 inverting and non-inverting differential inputs.
IN0-	14	10		
IN1+	15	11	I, LVDS	Channel 1 inverting and non-inverting differential inputs.
IN1-	16	12		
IN2+	19	13	I, LVDS	Channel 2 inverting and non-inverting differential inputs.
IN2-	20	14		
IN3+	21	15	I, LVDS	Channel 3 inverting and non-inverting differential inputs.
IN3-	22	16		
<b>DIFFERENTIAL OUTPUTS</b>				
OUT0+	48	32	O, LVDS	Channel 0 inverting and non-inverting differential outputs. ( <i>Note 2</i> )
OUT0-	47	31		
OUT1+	46	30	O, LVDS	Channel 1 inverting and non-inverting differential outputs. ( <i>Note 2</i> )
OUT1-	45	29		
OUT2+	42	28	O, LVDS	Channel 2 inverting and non-inverting differential outputs. ( <i>Note 2</i> )
OUT2-	41	27		
OUT3+	40	26	O, LVDS	Channel 3 inverting and non-inverting differential outputs. ( <i>Note 2</i> )
OUT3-	39	25		
<b>DIGITAL CONTROL INTERFACE</b>				
PWDN	12	8	I, LVTTTL	A logic low at $\overline{\text{PWDN}}$ activates the hardware power down mode (all channels).
PEM	2	2	I, LVTTTL	Pre-emphasis Control Input (affects all Channels)
<b>POWER</b>				
V <sub>DD</sub>	3, 4, 5, 7, 10, 11, 28, 29, 32, 33	3, 4, 6, 7, 20, 21	I, Power	V <sub>DD</sub> = 3.3V, ±10%
GND	8, 9, 17, 18, 23, 24, 37, 38, 43, 44	5 ( <i>Note 1</i> )	I, Ground	Ground reference for LVDS and CMOS circuitry. For the LLP package, the DAP is used as the primary GND connection to the device in addition to the pin numbers listed. The DAP is the exposed metal contact at the bottom of the LLP-32 package. It should be connected to the ground plane with at least 4 vias for optimal AC and thermal performance.
N/C	1, 6, 25, 26, 27, 30, 31, 34, 35, 36	1, 17, 18, 19, 22, 23, 24		No Connect

**Note 1:** Note that for the LLP package the GND is connected thru the DAP on the back side of the LLP package in addition to the actual pin numbers listed.

**Note 2:** The LVDS outputs do not support a multidrop (BLVDS) environment. The LVDS output characteristics of the DS15BR400 and DS15BR401 are optimized for point-to-point backplane and cable applications.

## Absolute Maximum Ratings *(Note 3)*

Supply Voltage ( $V_{DD}$ )	-0.3V to +4.0V
CMOS Input Voltage	-0.3V to ( $V_{DD}+0.3V$ )
LVDS Receiver Input Voltage	-0.3V to ( $V_{DD}+0.3V$ )
LVDS Driver Output Voltage	-0.3V to ( $V_{DD}+0.3V$ )
LVDS Output Short Circuit Current	+40 mA
Junction Temperature	+150°C
Storage Temperature	-65°C to +150°C
Lead Temperature (Solder, 4sec)	260°C
Max Pkg Power Capacity @ 25°C	
TQFP	1.64W
LLP	4.16W
Thermal Resistance ( $\theta_{JA}$ )	
TQFP	76°C/W
LLP	30°C/W
Package Derating above +25°C	
TQFP	13.2mW/°C
LLP	33.3mW/°C
ESD Last Passing Voltage	
HBM, 1.5k $\Omega$ , 100pF	8 kV

LVDS pins to GND only	15 kV
EIAJ, 0 $\Omega$ , 200pF	250V
Charged Device Model	1000V

## Recommended Operating Conditions

Supply Voltage ( $V_{DD}$ )	3.0V to 3.6V
Input Voltage ( $V_I$ ) <i>(Note 4)</i>	0V to $V_{DD}$
Output Voltage ( $V_O$ )	0V to $V_{DD}$
Operating Temperature ( $T_A$ )	
Industrial	-40°C to +85°C

**Note 3:** Absolute maximum ratings are those values beyond which damage to the device may occur. The databook specifications should be met, without exception, to ensure that the system design is reliable over its power supply, temperature, and output/input loading variables. National does not recommend operation of products outside of recommended operation conditions.

**Note 4:**  $V_{ID}$  max < 2.4V

## Electrical Characteristics

Over recommended operating supply and temperature ranges unless other specified.

Symbol	Parameter	Conditions	Min	Typ <i>(Note 5)</i>	Max	Units
<b>LVCMOS DC SPECIFICATIONS</b> ( $\overline{PWDN}$ , PEM)						
$V_{IH}$	High Level Input Voltage		2.0		$V_{DD}$	V
$V_{IL}$	Low Level Input Voltage		GND		0.8	V
$I_{IH}$	High Level Input Current	$V_{IN} = V_{DD} = 3.6V$ ( $\overline{PWDN}$ pin)	-10		+10	$\mu A$
$I_{IHR}$	High Level Input Current	$V_{IN} = V_{DD} = 3.6V$ (PEM pin)	40		200	$\mu A$
$I_{IL}$	Low Level Input Current	$V_{IN} = V_{SS}$ , $V_{DD} = 3.6V$	-10		+10	$\mu A$
$C_{IN1}$	LVCMOS Input Capacitance	Any Digital Input Pin to $V_{SS}$		5.5		pF
$V_{CL}$	Input Clamp Voltage	$I_{CL} = -18$ mA, $V_{DD} = 0V$	-1.5	-0.8		V
<b>LVDS INPUT DC SPECIFICATIONS</b> ( $IN_{n\pm}$ )						
$V_{TH}$	Differential Input High Threshold <i>(Note 6)</i>	$V_{CM} = 0.8V$ to 3.55V, $V_{DD} = 3.6V$		0	100	mV
$V_{TL}$	Differential Input Low Threshold <i>(Note 6)</i>	$V_{CM} = 0.8V$ to 3.55V, $V_{DD} = 3.6V$	-100	0		mV
$V_{ID}$	Differential Input Voltage	$V_{CM} = 0.8V$ to 3.55V, $V_{DD} = 3.6V$	100		2400	mV
$V_{CMR}$	Common Mode Voltage Range	$V_{ID} = 150$ mV, $V_{DD} = 3.6V$	0.05		3.55	V
$C_{IN2}$	LVDS Input Capacitance	$IN+$ or $IN-$ to $V_{SS}$		3.0		pF
$I_{IN}$	Input Current	$V_{IN} = 3.6V$ , $V_{DD} = 3.6V$	-10		+10	$\mu A$
		$V_{IN} = 0V$ , $V_{DD} = 3.6V$	-10		+10	$\mu A$

Symbol	Parameter	Conditions	Min	Typ ( <i>Note 5</i> )	Max	Units
<b>LVDS OUTPUT DC SPECIFICATIONS (OUTn±)</b>						
V <sub>OD</sub>	Differential Output Voltage, 0% Pre-emphasis ( <i>Note 6</i> )	R <sub>L</sub> = 100Ω external resistor between OUT+ and OUT- <i>Figure 1</i>	250	360	500	mV
ΔV <sub>OD</sub>	Change in V <sub>OD</sub> between Complementary States		-35		35	mV
V <sub>OS</sub>	Offset Voltage ( <i>Note 7</i> )		1.05	1.18	1.475	V
ΔV <sub>OS</sub>	Change in V <sub>OS</sub> between Complementary States		-35		35	mV
C <sub>OUT</sub>	LVDS Output Capacitance	OUT+ or OUT- to V <sub>SS</sub>		2.5		pF
I <sub>OS</sub>	Output Short Circuit Current	OUT+ or OUT- Short to GND		-21	-40	mA
		OUT+ or OUT- Short to VDD		6	40	mA
<b>SUPPLY CURRENT (Static)</b>						
I <sub>CC</sub>	Supply Current	All inputs and outputs enabled and active, terminated with differential load of 100Ω between OUT+ and OUT-. PEM = L		175	215	mA
I <sub>CCZ</sub>	Supply Current - Power Down Mode	$\overline{\text{PWDN}} = \text{L}$ , PEM = L		20	200	μA
<b>SWITCHING CHARACTERISTICS—LVDS OUTPUTS</b>						
t <sub>LHT</sub>	Differential Low to High Transition Time ( <i>Note 12</i> )	Use an alternating 1 and 0 pattern at 200 Mbps, measure between 20% and 80% of V <sub>OD</sub> . Figures 2, 4		170	250	ps
t <sub>HLT</sub>	Differential High to Low Transition Time ( <i>Note 12</i> )			170	250	ps
t <sub>PLHD</sub>	Differential Low to High Propagation Delay	Use an alternating 1 and 0 pattern at 200 Mbps, measure at 50% V <sub>OD</sub> between input to output. Figures 2, 3		1.0	2.0	ns
t <sub>PFLD</sub>	Differential High to Low Propagation Delay			1.0	2.0	ns
t <sub>SKD1</sub>	Pulse Skew ( <i>Note 12</i> )	t <sub>PLHD</sub> - t <sub>PFLD</sub>		10	60	ps
t <sub>SKCC</sub>	Output Channel to Channel Skew ( <i>Note 12</i> )	Difference in propagation delay (t <sub>PLHD</sub> or t <sub>PFLD</sub> ) among all output channels.		25	75	ps
t <sub>SKP</sub>	Part to Part Skew ( <i>Note 12</i> )	Common edge, parts at same temp and V <sub>CC</sub>			550	ps
t <sub>JIT</sub>	Jitter (0% Pre-emphasis) ( <i>Note 8</i> )	RJ - Alternating 1 and 0 at 750 MHz ( <i>Note 9</i> )		0.5	1.5	ps
		DJ - K28.5 Pattern, 1.5 Gbps ( <i>Note 10</i> )		14	30	ps
		TJ - PRBS 2 <sup>23</sup> -1 Pattern, 1.5 Gbps ( <i>Note 11</i> )		14	31	ps
t <sub>ON</sub>	LVDS Output Enable Time	Time from $\overline{\text{PWDN}}$ to OUT± change from TRI-STATE to active. Figures 5, 6			20	μs
t <sub>OFF</sub>	LVDS Output Disable Time	Time from $\overline{\text{PWDN}}$ to OUT± change from active to TRI-STATE. Figures 5, 6			12	ns

**Note 5:** Typical parameters are measured at V<sub>DD</sub> = 3.3V, T<sub>A</sub> = 25°C. They are for reference purposes, and are not production-tested.

**Note 6:** Differential output voltage V<sub>OD</sub> is defined as ABS(OUT+ - OUT-). Differential input voltage V<sub>ID</sub> is defined as ABS(IN+ - IN-).

**Note 7:** Output offset voltage V<sub>OS</sub> is defined as the average of the LVDS single-ended output voltages at logic high and logic low states.

**Note 8:** Jitter is not production tested, but guaranteed through characterization on a sample basis.

**Note 9:** Random Jitter, or RJ, is measured RMS with a histogram including 1500 histogram window hits. Stimulus and fixture jitter has been subtracted. The input voltage = V<sub>ID</sub> = 500 mV, input common mode voltage = V<sub>ICM</sub> = 1.2V, 50% duty cycle at 750 MHz, t<sub>r</sub> = t<sub>f</sub> = 50 ps (20% to 80%).

**Note 10:** Deterministic Jitter, or DJ, is a peak to peak value. Stimulus and fixture jitter has been subtracted. The input voltage = V<sub>ID</sub> = 500 mV, input common mode voltage = V<sub>ICM</sub> = 1.2V, K28.5 pattern at 1.5 Gbps, t<sub>r</sub> = t<sub>f</sub> = 50 ps (20% to 80%). The K28.5 pattern is repeating bit streams of (0011111010 1100000101).

**Note 11:** Total Jitter, or TJ, is measured peak to peak with a histogram including 3500 window hits. Stimulus and fixture jitter has been subtracted. The input voltage = V<sub>ID</sub> = 500 mV, input common mode voltage = V<sub>ICM</sub> = 1.2V, 2<sup>23</sup>-1 PRBS pattern at 1.5 Gbps, t<sub>r</sub> = t<sub>f</sub> = 50 ps (20% to 80%).

**Note 12:** Not production tested. Guaranteed by a statistical analysis on a sample basis at the time of characterization.

## DC Test Circuits

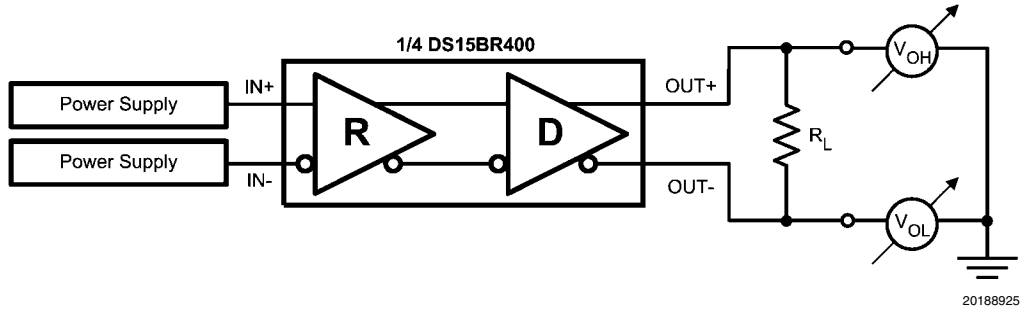


FIGURE 1. Differential Driver DC Test Circuit

## AC Test Circuits and Timing Diagrams

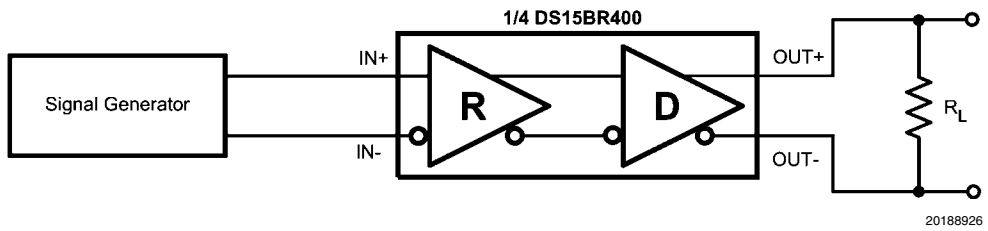


FIGURE 2. Differential Driver AC Test Circuit

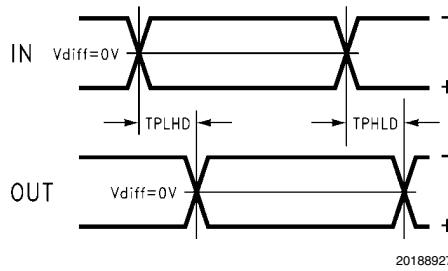


FIGURE 3. Propagation Delay Timing Diagram

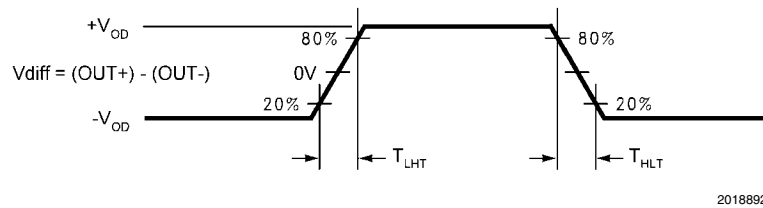
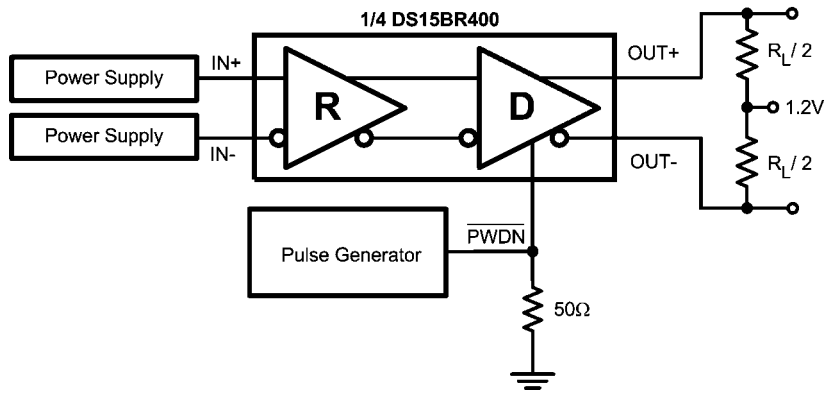
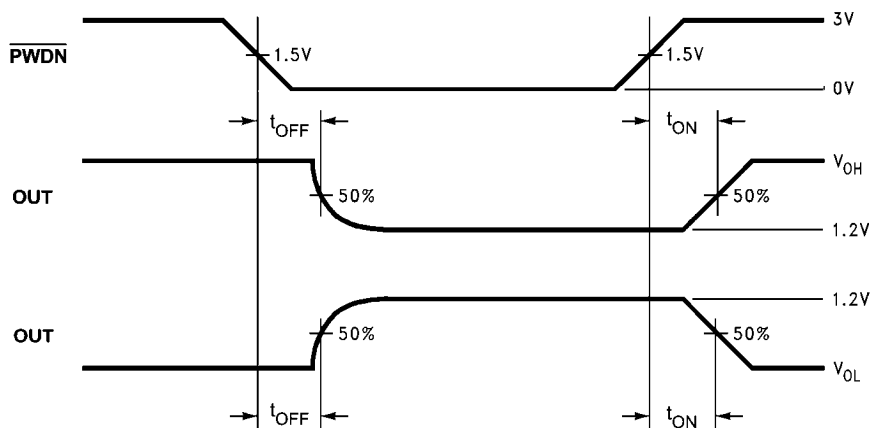


FIGURE 4. LVDS Output Transition Times



20188929

FIGURE 5. Enable/Disable Time Test Circuit



20188930

FIGURE 6. Enable/Disable Time Diagram



## Application Information

### INTERNAL TERMINATIONS

The DS15BR400 has integrated termination resistors on both the input and outputs. The inputs have a 100Ω resistor across the differential pair, placing the receiver termination as close as possible to the input stage of the device. The LVDS outputs also contain an integrated 100Ω ohm termination resistor, this resistor is used to minimize the output return loss and does not take the place of the 100 ohm termination at the inputs to the receiving device. The integrated terminations improve signal integrity and decrease the external component count resulting in space savings. The DS15BR401 has 100Ω output terminations only.

### OUTPUT CHARACTERISTICS

The output characteristics of the DS15BR400/DS15BR401 have been optimized for point-to-point backplane and cable applications, and are not intended for multipoint or multidrop signaling.

### POWERDOWN MODE

The  $\overline{\text{PWN}}$  input activates a hardware powerdown mode. When the powerdown mode is active ( $\overline{\text{PWN}}=L$ ), all input and output buffers and internal bias circuitry are powered off. When exiting powerdown mode, there is a delay associated with turning on bandgap references and input/output buffer circuits as indicated in the LVDS Output Switching Characteristics

Upon asserting the power down function ( $\overline{\text{PWN}} = \text{Low}$ ), and if the Pre-emphasis feature is enable, it is possible for the driver output to source current for a short amount of time lifting the output common mode to  $V_{DD}$ . To prevent this occurrence, a load discharge pull down path can be used on either output (1 kΩ to ground recommended). Alternately, a commonly deployed external failsafe network will also provide this path (see INPUT FAILSAFE BIASING). The occurrence of this is application dependant, and parameters that will effect if this is of concern include: AC coupling, use of the powerdown feature, presence of the discharge path, presence of the failsafe biasing, the usage of the pre-emphasis feature, and input characteristics of the downstream LVDS Receiver.

### PRE-EMPHASIS

Pre-emphasis dramatically reduces ISI jitter from long or lossy transmission media. One pin is used to select the pre-emphasis level for all outputs, off or on. The pre-emphasis boost is approximately 6 dB at 750 MHz.

Pre-emphasis Control Selection Table

PEM	Pre-Emphasis
0	Off
1	On

### INPUT FAILSAFE BIASING

Failsafe biasing of the LVDS link should be considered if the downstream Receiver is ON and enabled when the source is in TRI-STATE, powered off, or removed. This will set a valid known input state to the active receiver. This is accomplished by using a pull up resistor to  $V_{DD}$  on the 'plus' line, and a pull down resistor to GND on the 'minus' line. Resistor values are in the 750 Ohm to several kΩ range. The exact value depends upon the desired common mode bias point, termination resistor(s) and desired input differential voltage setting. Please refer to application note AN-1194 "Failsafe Biasing of LVDS interfaces" for more information and a general discussion.

### DECOUPLING

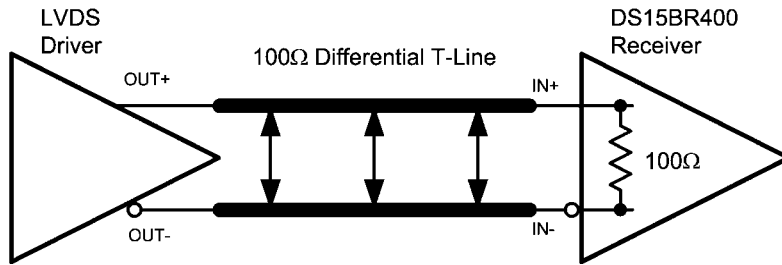
Each power or ground lead of the DS15BR400 should be connected to the PCB through a low inductance path. For best results, one or more vias are used to connect a power or ground pin to the nearby plane. Ideally, via placement is immediately adjacent to the pin to avoid adding trace inductance. Placing power plane closer to the top of the board reduces effective via length and its associated inductance.

Bypass capacitors should be placed close to VDD pins. Small physical size capacitors, such as 0402, X7R, surface mount capacitors should be used to minimize body inductance of capacitors. Each bypass capacitor is connected to the power and ground plane through vias tangent to the pads of the capacitor. An X7R surface mount capacitor of size 0402 has about 0.5 nH of body inductance. At frequencies above 30 MHz or so, X7R capacitors behave as low impedance inductors. To extend the operating frequency range to a few hundred MHz, an array of different capacitor values like 100 pF, 1 nF, 0.03 μF, and 0.1 μF are commonly used in parallel. The most effective bypass capacitor can be built using sandwiched layers of power and ground at a separation of 2–3 mils. With a 2 mil FR4 dielectric, there is approximately 500 pF per square inch of PCB.

The center dap of the LLP package housing the DS15BR400 should be connected to a ground plane through an array of vias. The via array reduces the effective inductance to ground and enhances the thermal performance of the LLP package.

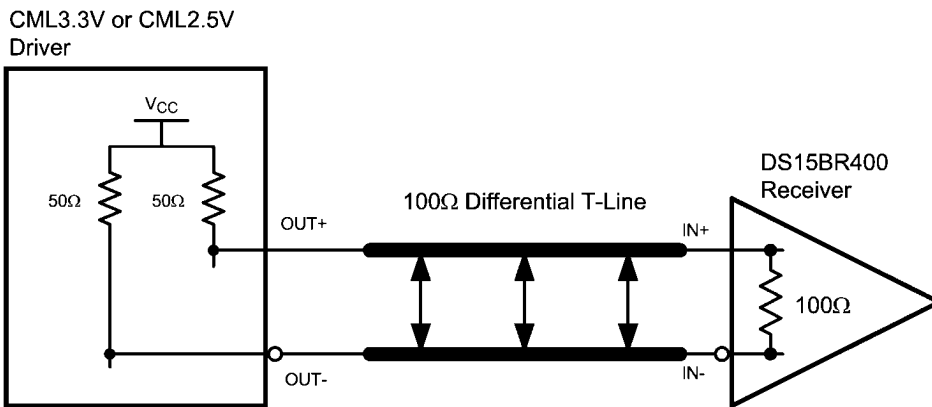
**INPUT INTERFACING**

The DS15BR400 and DS15BR401 accept differential signals and allow simple AC or DC coupling. With a wide common mode range, the DS15BR400 and DS15BR401 can be DC-coupled with all common differential drivers (i.e. LVPECL, LVDS, CML). The following three figures illustrate typical DC-coupled interface to common differential drivers. Note that the DS15BR400 inputs are internally terminated with a 100Ω resistor while the DS15BR401 inputs are not, therefore the latter requires external input termination.



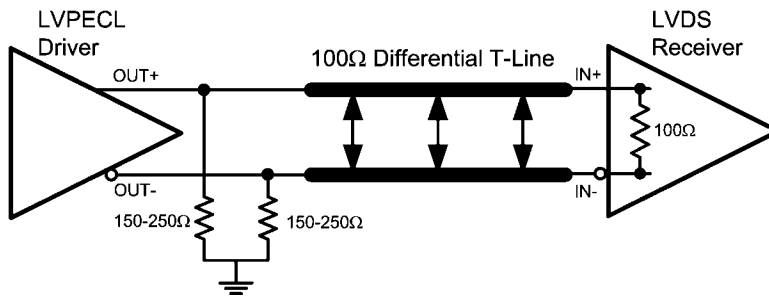
**Typical LVDS Driver DC-Coupled Interface to DS15BR400 Input**

20188941



**Typical CML Driver DC-Coupled Interface to DS15BR400 Input**

20188942

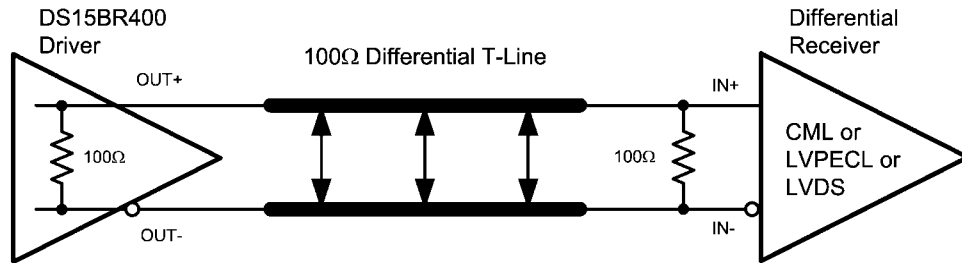


**Typical LVPECL Driver DC-Coupled Interface to DS15BR400 Input**

20188943

## OUTPUT INTERFACING

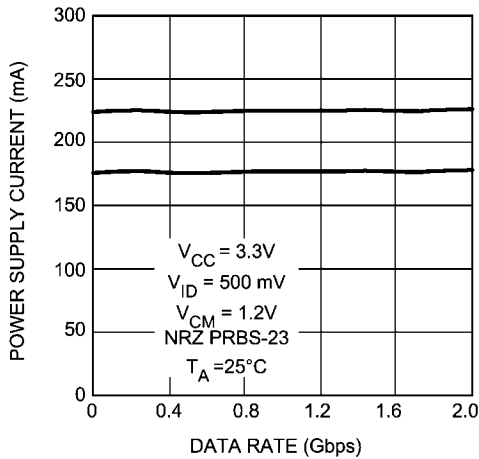
The DS15BR400 and DS15BR401 output signals that are compliant to the LVDS standard. Their outputs can be DC-coupled to most common differential receivers. The following figure illustrates typical DC-coupled interface to common differential receivers and assumes that the receivers have high impedance inputs. While most differential receivers have a common mode input range that can accommodate LVDS compliant signals, it is recommended to check respective receiver's data sheet prior to implementing the suggested interface implementation.



20188944  
 Typical DS15BR400 Output DC-Coupled Interface to an LVDS, CML or LVPECL Receiver

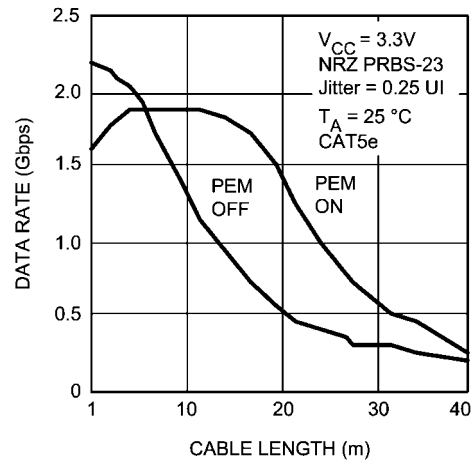
# Typical Performance Characteristics

**Power Supply Current vs. Data Rate**



20188920

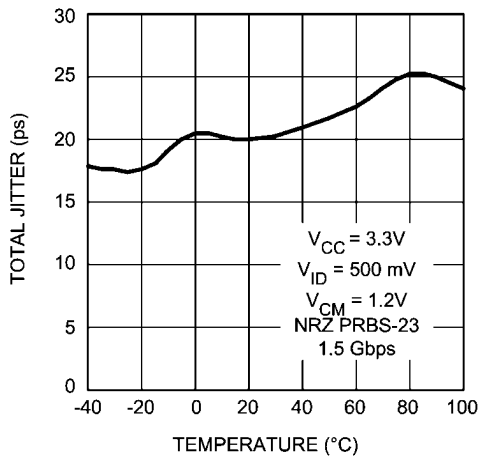
**Data Rate vs. Cable Length (0.25 UI Criteria)**



20188923

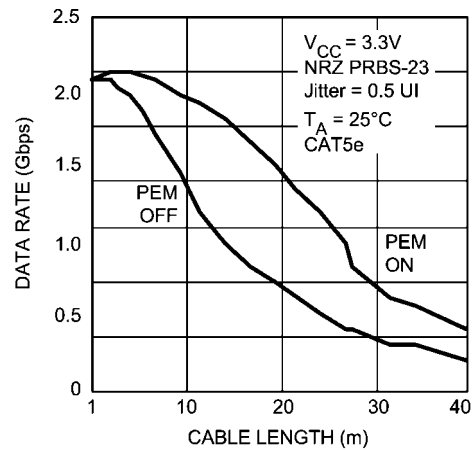
Data presented in this graph was collected using the DS15BR400EVK, a pair of RJ-45 to SMA adapter boards and various length Belden 1700a cables. The maximum data rate was determined based on total jitter (0.25 UI criteria) measured after the cable. The total jitter was a peak to peak value measured with a histogram including 3000 window hits.

**Total Jitter vs. Ambient Temperature**



20188921

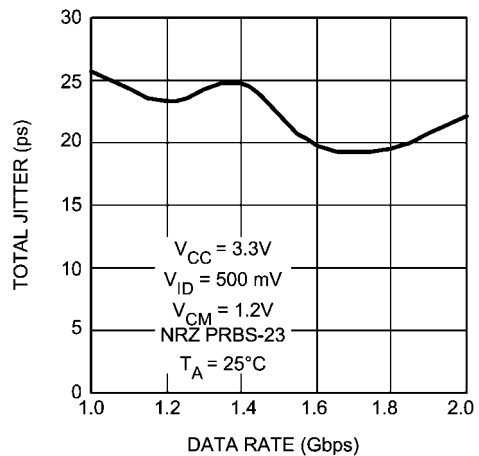
**Data Rate vs. Cable Length (0.5 UI Criteria)**



20188924

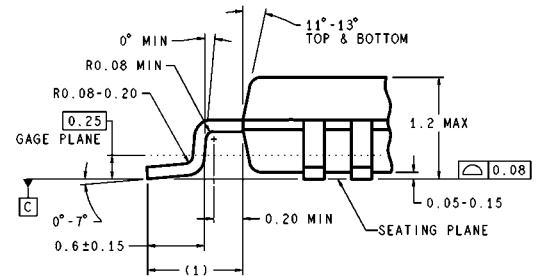
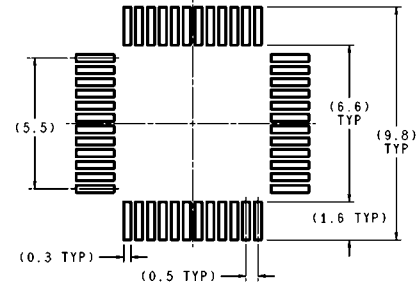
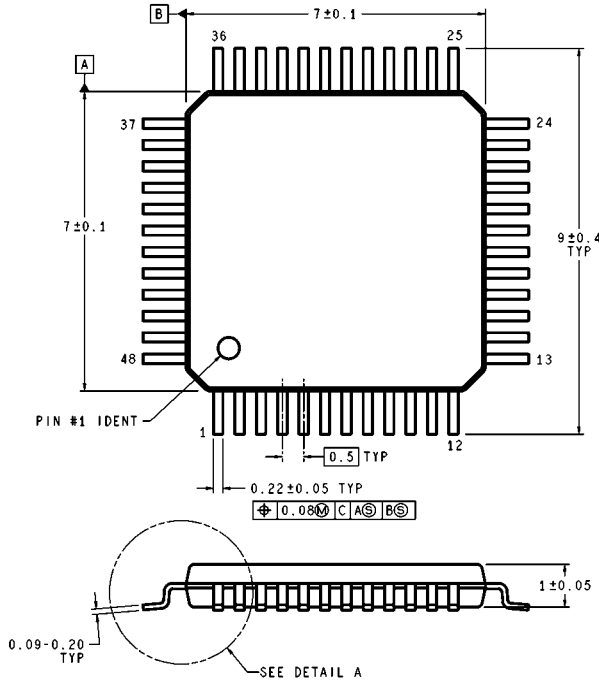
Data presented in this graph was collected using the DS15BR400EVK, a pair of RJ-45 to SMA adapter boards and various length Belden 1700a cables. The maximum data rate was determined based on total jitter (0.5 UI criteria) measured after the cable. The total jitter was a peak to peak value measured with a histogram including 3000 window hits.

**Total Jitter vs. Data Rate**



20188922

**Physical Dimensions** inches (millimeters) unless otherwise noted

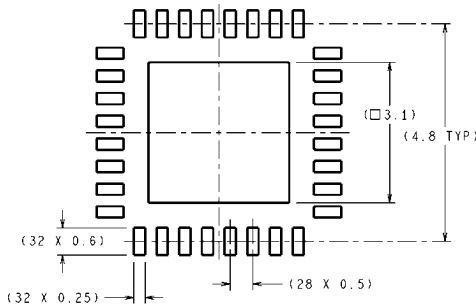


DIMENSIONS ARE IN MILLIMETERS

DETAIL A

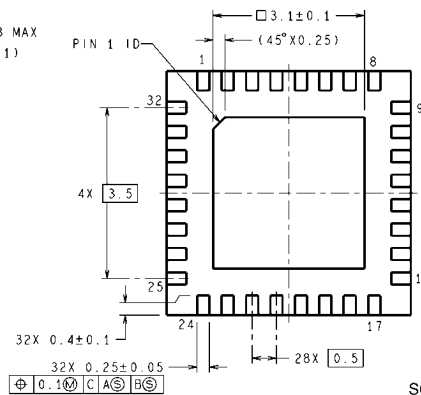
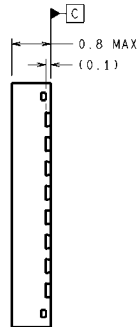
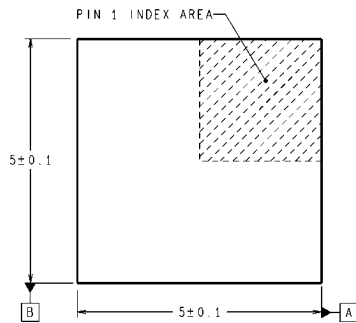
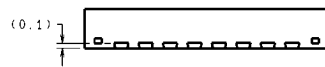
VBC48A (Rev A)

**48-TQFP**  
**NS Package Number VBC48a**  
**Order Number DS15BR400TVS, DS15BR401TVS (250 piece Tray)**  
**Order Number DS15BR400TVSX, DS15BR401TVSX (1000 piece Tape and Reel)**



RECOMMENDED LAND PATTERN

DIMENSIONS ARE IN MILLIMETERS  
 DIMENSIONS IN ( ) FOR REFERENCE ONLY



SQA32A (Rev B)

**32-LLP**  
**(See AN-1187 for PCB Design and Assembly Recommendations)**  
**NS Package Number SQA32A**  
**Order Number DS15BR400TSQ, DS15BR401TSQ (1000 piece Tape and Reel)**  
**DS15BR400TSQX, DS15BR401TSQX (4500 piece Tape and Reel)**



## Notes

For more National Semiconductor product information and proven design tools, visit the following Web sites at:  
[www.national.com](http://www.national.com)

Products		Design Support	
Amplifiers	<a href="http://www.national.com/amplifiers">www.national.com/amplifiers</a>	WEBENCH® Tools	<a href="http://www.national.com/webench">www.national.com/webench</a>
Audio	<a href="http://www.national.com/audio">www.national.com/audio</a>	App Notes	<a href="http://www.national.com/appnotes">www.national.com/appnotes</a>
Clock and Timing	<a href="http://www.national.com/timing">www.national.com/timing</a>	Reference Designs	<a href="http://www.national.com/refdesigns">www.national.com/refdesigns</a>
Data Converters	<a href="http://www.national.com/adc">www.national.com/adc</a>	Samples	<a href="http://www.national.com/samples">www.national.com/samples</a>
Interface	<a href="http://www.national.com/interface">www.national.com/interface</a>	Eval Boards	<a href="http://www.national.com/evalboards">www.national.com/evalboards</a>
LVDS	<a href="http://www.national.com/lvds">www.national.com/lvds</a>	Packaging	<a href="http://www.national.com/packaging">www.national.com/packaging</a>
Power Management	<a href="http://www.national.com/power">www.national.com/power</a>	Green Compliance	<a href="http://www.national.com/quality/green">www.national.com/quality/green</a>
Switching Regulators	<a href="http://www.national.com/switchers">www.national.com/switchers</a>	Distributors	<a href="http://www.national.com/contacts">www.national.com/contacts</a>
LDOs	<a href="http://www.national.com/ldo">www.national.com/ldo</a>	Quality and Reliability	<a href="http://www.national.com/quality">www.national.com/quality</a>
LED Lighting	<a href="http://www.national.com/led">www.national.com/led</a>	Feedback/Support	<a href="http://www.national.com/feedback">www.national.com/feedback</a>
Voltage References	<a href="http://www.national.com/vref">www.national.com/vref</a>	Design Made Easy	<a href="http://www.national.com/easy">www.national.com/easy</a>
PowerWise® Solutions	<a href="http://www.national.com/powerwise">www.national.com/powerwise</a>	Applications & Markets	<a href="http://www.national.com/solutions">www.national.com/solutions</a>
Serial Digital Interface (SDI)	<a href="http://www.national.com/sdi">www.national.com/sdi</a>	Mil/Aero	<a href="http://www.national.com/milaero">www.national.com/milaero</a>
Temperature Sensors	<a href="http://www.national.com/tempensors">www.national.com/tempensors</a>	SolarMagic™	<a href="http://www.national.com/solarmagic">www.national.com/solarmagic</a>
PLL/VCO	<a href="http://www.national.com/wireless">www.national.com/wireless</a>	PowerWise® Design University	<a href="http://www.national.com/training">www.national.com/training</a>

THE CONTENTS OF THIS DOCUMENT ARE PROVIDED IN CONNECTION WITH NATIONAL SEMICONDUCTOR CORPORATION ("NATIONAL") PRODUCTS. NATIONAL MAKES NO REPRESENTATIONS OR WARRANTIES WITH RESPECT TO THE ACCURACY OR COMPLETENESS OF THE CONTENTS OF THIS PUBLICATION AND RESERVES THE RIGHT TO MAKE CHANGES TO SPECIFICATIONS AND PRODUCT DESCRIPTIONS AT ANY TIME WITHOUT NOTICE. NO LICENSE, WHETHER EXPRESS, IMPLIED, ARISING BY ESTOPPEL OR OTHERWISE, TO ANY INTELLECTUAL PROPERTY RIGHTS IS GRANTED BY THIS DOCUMENT.

TESTING AND OTHER QUALITY CONTROLS ARE USED TO THE EXTENT NATIONAL DEEMS NECESSARY TO SUPPORT NATIONAL'S PRODUCT WARRANTY. EXCEPT WHERE MANDATED BY GOVERNMENT REQUIREMENTS, TESTING OF ALL PARAMETERS OF EACH PRODUCT IS NOT NECESSARILY PERFORMED. NATIONAL ASSUMES NO LIABILITY FOR APPLICATIONS ASSISTANCE OR BUYER PRODUCT DESIGN. BUYERS ARE RESPONSIBLE FOR THEIR PRODUCTS AND APPLICATIONS USING NATIONAL COMPONENTS. PRIOR TO USING OR DISTRIBUTING ANY PRODUCTS THAT INCLUDE NATIONAL COMPONENTS, BUYERS SHOULD PROVIDE ADEQUATE DESIGN, TESTING AND OPERATING SAFEGUARDS.

EXCEPT AS PROVIDED IN NATIONAL'S TERMS AND CONDITIONS OF SALE FOR SUCH PRODUCTS, NATIONAL ASSUMES NO LIABILITY WHATSOEVER, AND NATIONAL DISCLAIMS ANY EXPRESS OR IMPLIED WARRANTY RELATING TO THE SALE AND/OR USE OF NATIONAL PRODUCTS INCLUDING LIABILITY OR WARRANTIES RELATING TO FITNESS FOR A PARTICULAR PURPOSE, MERCHANTABILITY, OR INFRINGEMENT OF ANY PATENT, COPYRIGHT OR OTHER INTELLECTUAL PROPERTY RIGHT.

#### LIFE SUPPORT POLICY

**NATIONAL'S PRODUCTS ARE NOT AUTHORIZED FOR USE AS CRITICAL COMPONENTS IN LIFE SUPPORT DEVICES OR SYSTEMS WITHOUT THE EXPRESS PRIOR WRITTEN APPROVAL OF THE CHIEF EXECUTIVE OFFICER AND GENERAL COUNSEL OF NATIONAL SEMICONDUCTOR CORPORATION.** As used herein:

Life support devices or systems are devices which (a) are intended for surgical implant into the body, or (b) support or sustain life and whose failure to perform when properly used in accordance with instructions for use provided in the labeling can be reasonably expected to result in a significant injury to the user. A critical component is any component in a life support device or system whose failure to perform can be reasonably expected to cause the failure of the life support device or system or to affect its safety or effectiveness.

National Semiconductor and the National Semiconductor logo are registered trademarks of National Semiconductor Corporation. All other brand or product names may be trademarks or registered trademarks of their respective holders.

Copyright© 2010 National Semiconductor Corporation

For the most current product information visit us at [www.national.com](http://www.national.com)



**National Semiconductor Americas Technical Support Center**  
 Email: [support@nsc.com](mailto:support@nsc.com)  
 Tel: 1-800-272-9959

**National Semiconductor Europe Technical Support Center**  
 Email: [europe.support@nsc.com](mailto:europe.support@nsc.com)

**National Semiconductor Asia Pacific Technical Support Center**  
 Email: [ap.support@nsc.com](mailto:ap.support@nsc.com)

**National Semiconductor Japan Technical Support Center**  
 Email: [jpn.feedback@nsc.com](mailto:jpn.feedback@nsc.com)