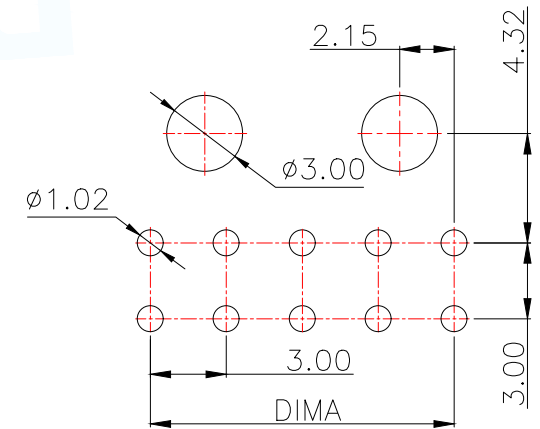
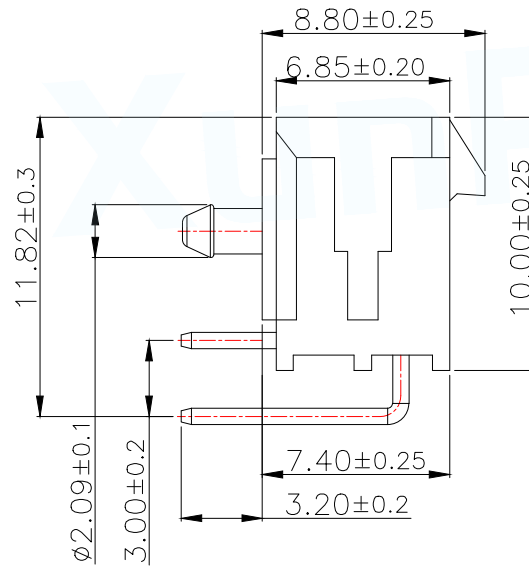
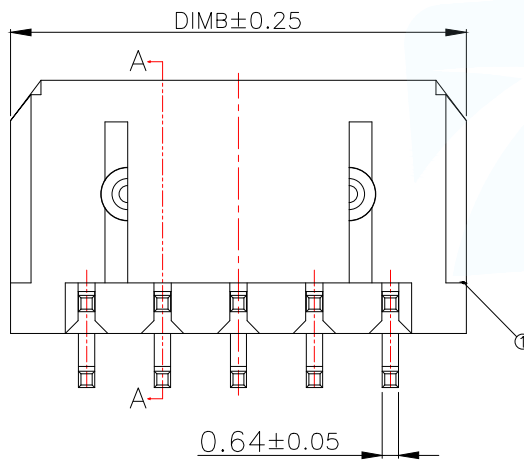
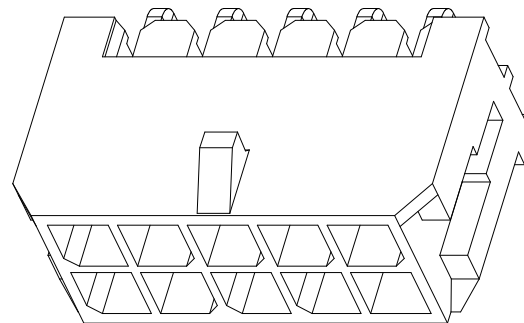


SECTION A-A

型号	CKT	A	B
WAFER-MX3.0-02PWZ	2*1	0.00	6.00
WAFER-MX3.0-04PWZ	2*2	3.00	9.00
WAFER-MX3.0-06PWZ	2*3	6.00	12.00
WAFER-MX3.0-08PWZ	2*4	9.00	15.00
WAFER-MX3.0-10PWZ	2*5	12.00	18.00
WAFER-MX3.0-12PWZ	2*6	15.00	21.00
WAFER-MX3.0-14PWZ	2*7	18.00	24.00
WAFER-MX3.0-16PWZ	2*8	21.00	27.00
WAFER-MX3.0-18PWZ	2*9	24.00	30.00
WAFER-MX3.0-20PWZ	2*10	27.00	33.00
WAFER-MX3.0-22PWZ	2*11	30.00	36.00
WAFER-MX3.0-24PWZ	2*12	33.00	39.00



PCB.WELDING DRAWING (TOLERANCE:±0.05)



Technical Index:

1. Temperature range: -25°C~+85°C.
2. Rated voltage: 600V, AC, DC.
3. Rated current: 5.0A AC, DC.
4. Contact resistance: ≤20mΩ.
5. Withstanding voltage: 1500V AC/minute.
6. Insulation resistance: ≥1000MΩ.

MANUFACTURE DWG		东莞市讯普电子科技有限公司 DongGuan XunPu Electronics Co., Ltd	
UNLESS OTHERWISE SPECIFIED TOLERANCES			TITLE: MX3.0MM WAFER DIP TYPE
DECIMALS: X.X±0.30			PAR WAFER-MX3.0-NPWZ
ANGLES: X.*±5°			DWN
X.XX±0.25			CHKD
X.XXX±0.15		APVD	SCALE: A UNIT: MM
		CUSTOMER COPY	SIZE: A4 SHEET: 1F1
			REV: A