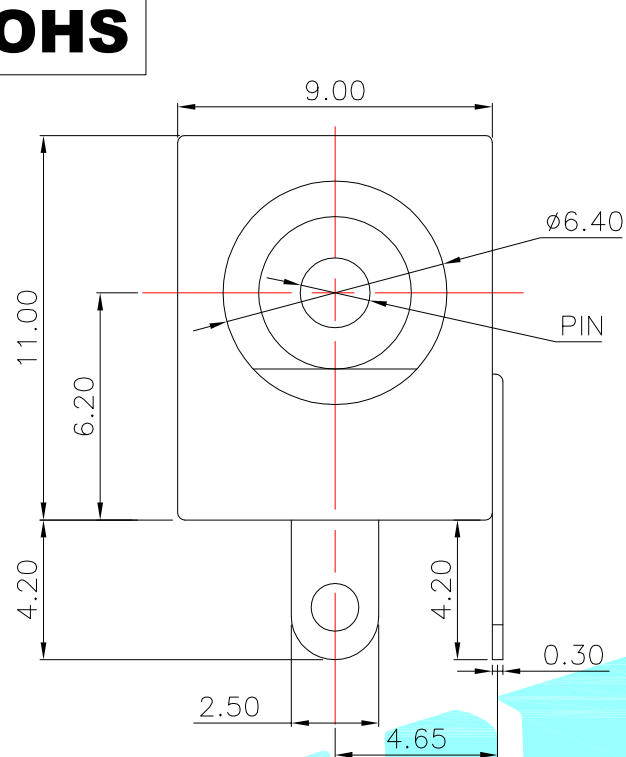
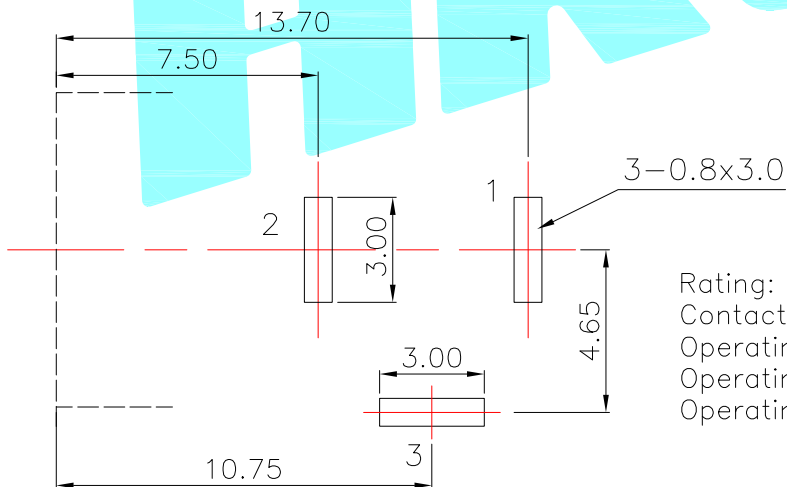
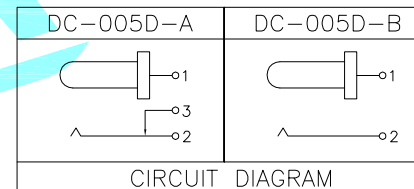
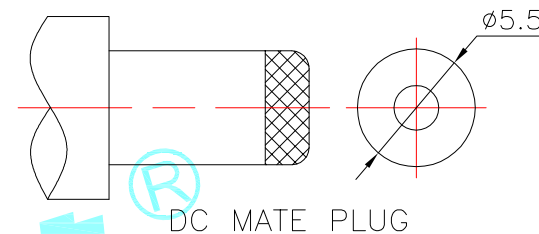
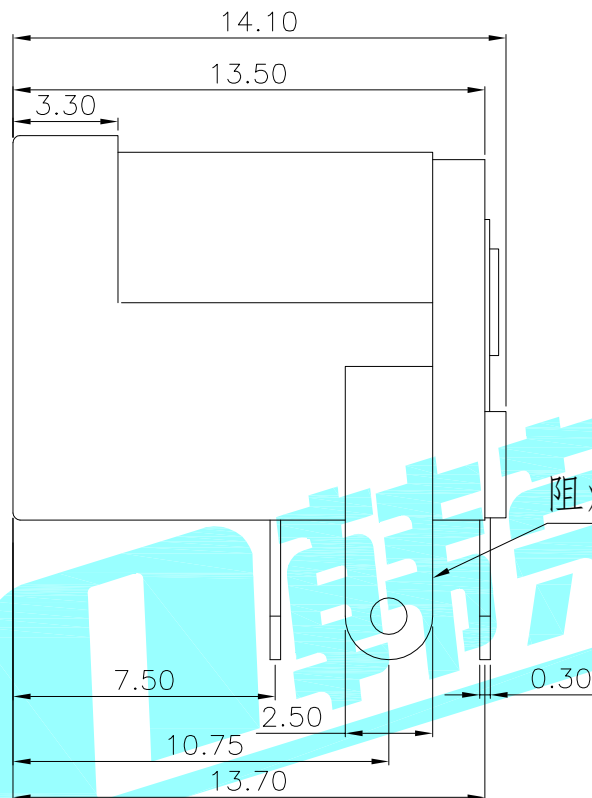


**ROHS**



P.C.B LAYOUT (Copper-side view)



Rating: 3A 24V DC  
 Contact Resistance: 100 mΩ Max.  
 Operating temperature: -25°C ~ 80°C  
 Operating force: 3-20N  
 Operating Life: 5,000 cycles

Model No.	DC-005D-20A	DC-005D-25A
PIN	φ2.0	φ2.5

③	PIN	—	1	Brass	Sn Plating	—
②	Terminal	—	3	Phosphor bronze/Brass	Sn Plating	—
①	Housing	—	1	PBT	Black	UL 94V-0
ITEM	PART NAME	TER'NO.	QTY.	MATERIAL	FINISHING	REMARK

APPROVALS		DATE		 ELECTRONICS CO.,LTD		
DRAWN	LIUCAN	2022.3.8				
CHECKED				TITLE: 阻燃款宽脚		
APPROVALS				PART NO. DC-005D		
TOLERANCES ARE		30~以上	±0.30	ANGLE	UNIT: mm	SCALE: 1:1
		10~30	±0.20			
		5~10	±0.15			
		~ 5	±0.10			
				±2°	DRAWING NO.	PROJ:

ECN NO.	REV. A	DATE.	NEW	CHANGE.	CHECK.	APPRO.
DESCRIPTION.						