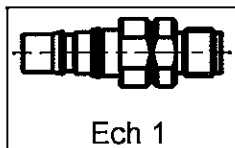
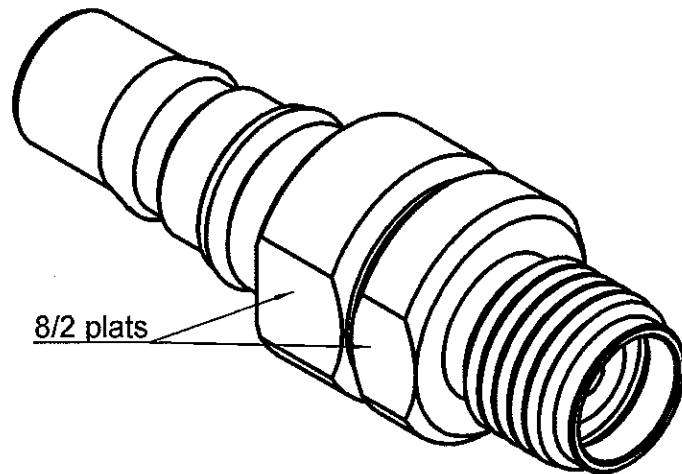
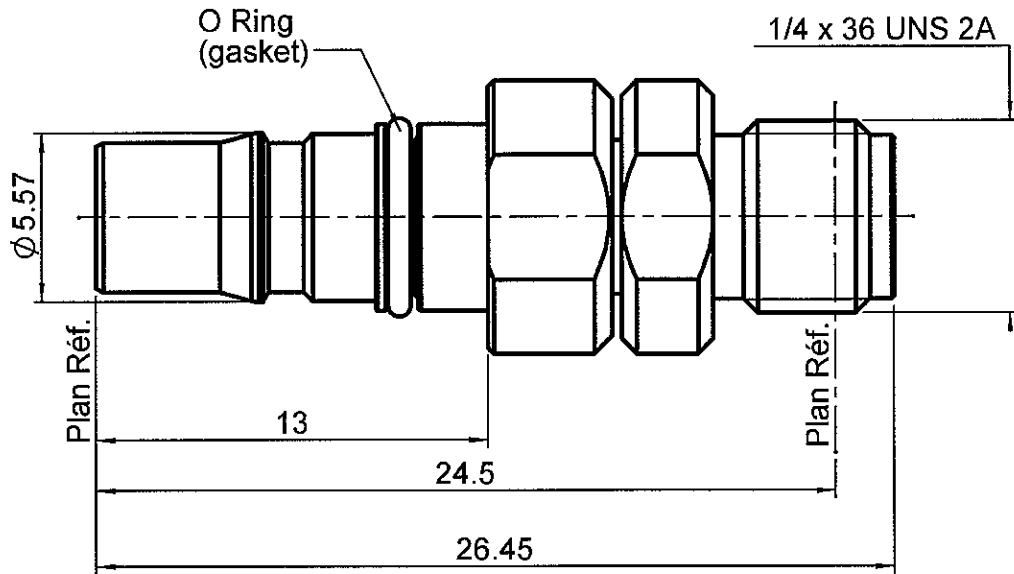


ADAPTOR QRE 3.5 FEMALE

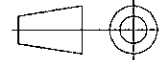
FEMALE SMA 3.5

R191.946.700

Série : ADAPT-MES



All dimensions are in mm.



COMPONENTS	MATERIALS	PLATING (μm)
BODY	STAINLESS STEEL 316L + 303L	PASSIVATION
CENTER CONTACT	BERYLLIUM COPPER	GOLD 1.3 OVER NICKEL2
OUTER CONTACT	-	-
INSULATOR	Q200-5	-
GASKET	FLUORO SILICON RUBBER	-
OTHERS PARTS	-	-
-	-	-
-	-	-

Issue : 0943

A

In the effort to improve our products, we reserve the rights to make changes judged to be necessary.

RADIALL 

ADAPTOR QRE 3.5 FEMALE

FEMALE SMA 3.5

R191.946.700

Série : ADAPT-MES

PACKAGING

Standard	Unit	Other
1	-	Contact us

SPECIFICATION

ELECTRICAL CHARACTERISTICS

ENVIRONMENTAL

Impedance		50 Ω
Frequency		0-12.4 GHz
VSWR	1.07 +	0,0060 x F(GHz) Maxi
Insertion loss		0.07 √F(GHz) dB Maxi
RF leakage	- (* - F(GHz)) dB Maxi
Voltage rating		500 Veff Maxi
Dielectric withstanding voltage		1000 Veff mini
Insulation resistance		5000 MΩ mini

Operating	-55/+165 ° C
Hermetic seal	NA Atm.cm3/s
Panel leakage	NA

MECHANICAL CHARACTERISTICS

OTHER CHARACTERISTICS

Center contact retention		
Axial force – Mating end	27	N mini
Axial force – Opposite end	27	N mini
Torque	NA	N.cm mini

*RF leakage: -95 @ 3GHz / -80 @ 12.4 GHz

For information :
O-ring gasket must be changed after 50 mating cycles

Recommended torque		
Mating	QRE 3.5	NA N.cm
	SMA3.5	NA N.cm
		0 N.cm
Panel nut		N.cm
Mating life		100 Cycles mini
Weight		5,2480 g

Issue : 0943 A

In the effort to improve our products, we reserve the rights to make changes judged to be necessary.

