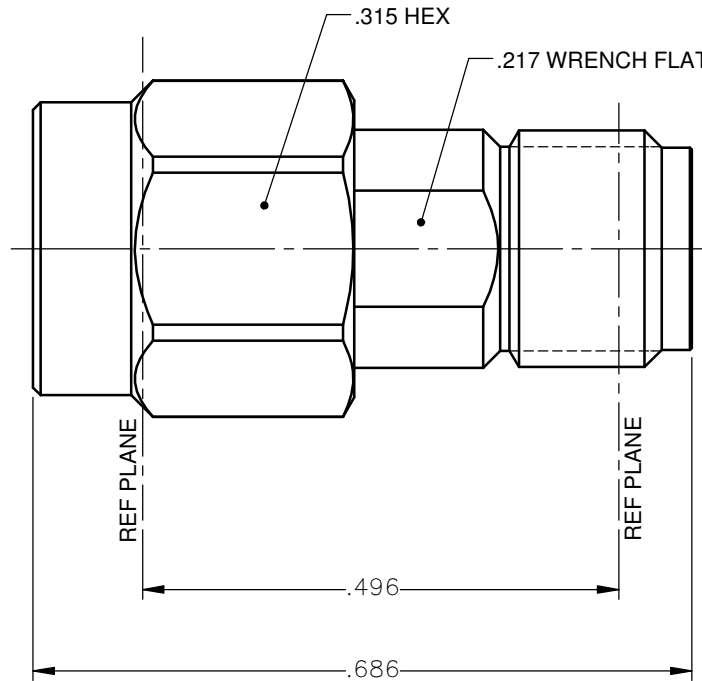


REVISIONS			
REV.	DESCRIPTION	DATE	APPROVED
B	REDRAWN ON NEW FORMAT	12/18/14	D.N.
C	UPDATED PLATING	01/19/16	D.N.





NOTES:

MATERIALS:

1. BODY & COUPLING NUT = STAINLESS STEEL PER ASTM A582, ALLOY 303, CONDITION "A".
2. CONTACT & RETAINING RING = BERYLLIUM COPPER PER ASTM B196, ALLOY C17300, TEMPER TD04.
3. INSULATOR = VIRGIN WHITE TEFLON PER ASTM D1710, GRADE 1, TYPE I, CLASS "B".
4. GASKET = SILICONE RUBBER PER ZZ-R-765, CLASS 2B, GRADE 65-75.

FINISHES:

1. BODY & COUPLING NUT = GOLD 0.5 $\mu$ m OVER NICKEL 2 $\mu$ m.
2. CONTACT = GOLD 2.5 $\mu$ m OVER NICKEL 2 $\mu$ m.

UNLESS OTHERWISE SPECIFIED DIMENSIONS ARE IN INCHES TOLERANCES ON	DWN:	DATE	 <b>Property of Radiall</b> This document cannot be reproduced or communicated to a third party without prior written permission of RADIALL.			
	M.J.	10/08/08				
DECIMAL	ANGLE	CHKD:	DATE	<b>SMA STRAIGHT PLUG TO JACK ADAPTER</b>		
		D.N.	10/08/08			
		APVD:	DATE			
		J.M.	10/08/08			
REFERENCE:	MATERIALS & FINISHES:		SIZE	FSCM NO.	DWG NO.	REV
ORIGINATED: M.J. DATE: 10/08/08	SEE NOTES		A	19505	5916-1103-603	C
			SCALE 5:1	THIRD ANGLE PROJECTION		SHEET 1 OF 1

5916-1103-603