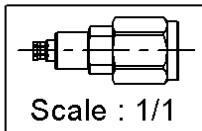
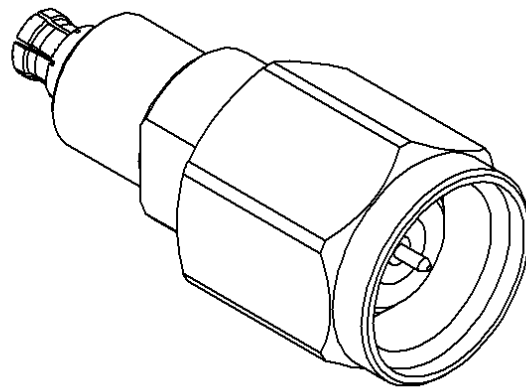
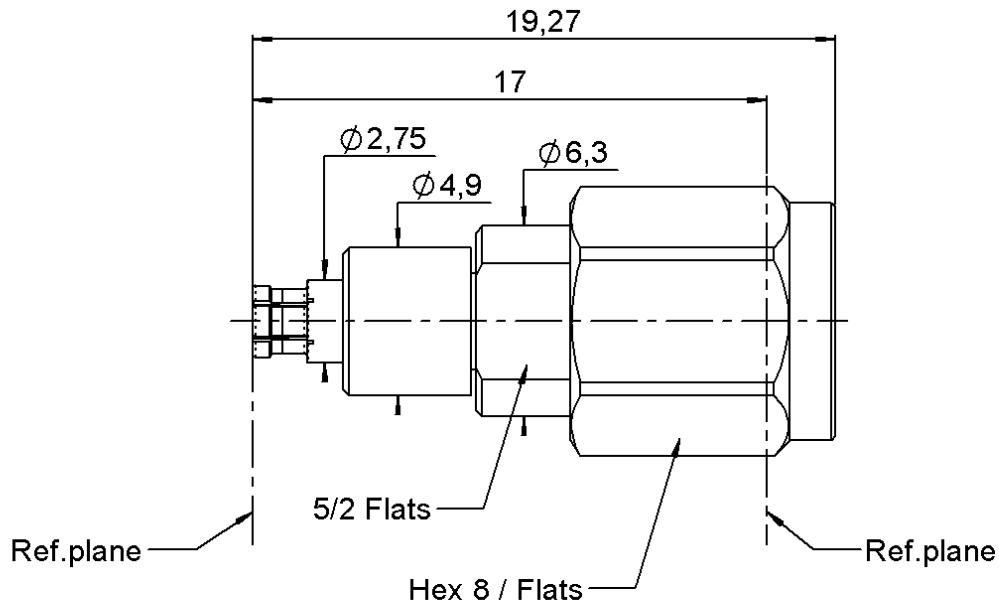


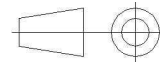
2.4MM MALE - SMPM FEMALE ADAPTER

R191.563.000

Série : ADAPT



All dimensions are in mm.



COMPONENTS	MATERIALS	PLATING (µm)
BODY	BERYLLIUM COPPER	GOLD 1.3 OVER NICKEL 2
CENTER CONTACT	BERYLLIUM COPPER	OR 1.3 OVER NICKEL PHOSPHORUS 2
OUTER CONTACT	-	-
INSULATOR	PEEK	-
GASKET	-	-
OTHERS PARTS	STAINLESS STEEL	PASSIVATED
-	-	-
-	-	-

Issue : 1329 B

In the effort to improve our products, we reserve the rights to make changes judged to be necessary.



DRAFT

2.4MM MALE - SMPM FEMALE ADAPTER

R191.563.000

Série : ADAPT

PACKAGING

SPECIFICATION

Standard	Unit	Other
1		Contact us

ELECTRICAL CHARACTERISTICS

ENVIRONMENTAL

Impedance	50	Ω
Frequency	0-40	GHz
VSWR	1.05 + 0,0100	x F(GHz) Maxi
Insertion loss	0.12	\sqrt{F} (GHz) dB Maxi
RF leakage	- (NA)	- F(GHz)) dB Maxi
Voltage rating	335	Veff Maxi
Dielectric withstanding voltage	500	Veff mini
Insulation resistance	5000	M Ω mini

Operating	-65/+165	$^{\circ}$ C
Hermetic seal	NA	Atm.cm3/s
Panel leakage	NA	

OTHER CHARACTERISTICS

MECHANICAL CHARACTERISTICS

Center contact retention		
Axial force – Mating end	6.7	N mini
Axial force – Opposite end	6.7	N mini
Torque	NA	N.cm mini
Recommended torque		
Mating	2.4MM	95 N.cm
	SMPM	0 N.cm
		0 N.cm
Panel nut	NA	N.cm
Mating life	500	Cycles mini
Weight	3,7600	g

Issue : 1329 B

In the effort to improve our products, we reserve the rights to make changes judged to be necessary.

RADIALL 

DRAFT