

**FEMALE - FEMALE ADAPTOR  
CAPTIVE CONTACT .**

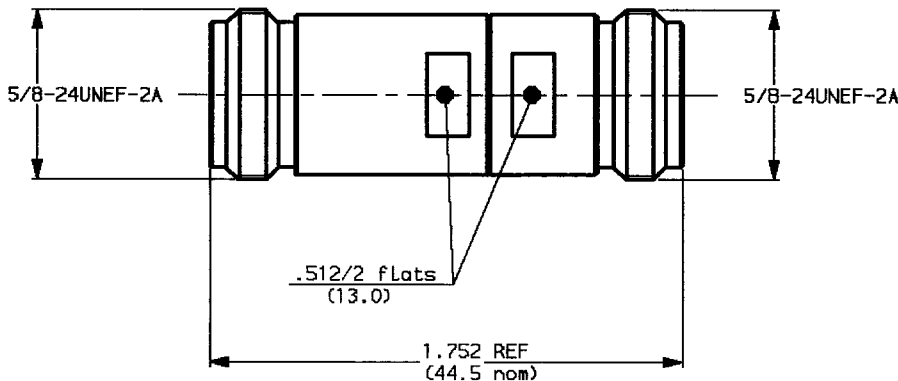
Issue : 9125

Page

SERIES: N 18 GHz

1 / 1

DEP90.R161.500



WEIGHT oz ( g )

**CHARACTERISTICS**

NOMINAL IMPEDANCE	50 $\Omega$
FREQUENCY RANGE	0-18 GHz
TEMPERATURE RATING	-65/+165 °C
VSWR	1.05 + 0.005 f(GHz)
RF INSERTION LOSS	0.1 $\sqrt{f}$ dB Maxi
VOLTAGE RATING	1000 Vrms Maxi
DIELECTRIC WITHSTANDING VOLTAGE	2500 Vrms mini
INSULATION RESISTANCE	5000 Mo mini
HERMETIC SEAL	NA cc/s Atm.cm <sup>3</sup> /s
LEAKAGE	0.641 psi .0044 MPa
( Low atmospheric air pressure )	-

STANDARDISATION	MIL C 39012
	CECC 22000
	IEC 189-1B
	DS 8811 - Aeronautic applications

CABLE RETENTION NA Lb mini  
N

CENTER CONTACT RETENTION	
Axial force - mating end	6.075 Lb mini 27 N
Axial force - opposite end	6.075 Lb mini 27 N
Torque (Min)	NA Inch.oz cm.N

RECOMMENDED TORQUES	
Mating	NA Inch.Lb cm.N
Panel nut	NA Inch.Lb cm.N
Clamp nut	NA Inch.Lb cm.N

**CONSTRUCTION**

CONNECTOR PARTS	MATERIALS	FINISH
BODY	STAINLESS STEEL	PASSIVATED
OUTER CONTACT	STAINLESS STEEL	PASSIVATED
CENTER CONTACT	BERYLLIUM COPPER	GOLD
INSULATOR	POLYETHERIMID RESIN	-
INSULATOR	PTFE	-
GASKET	FLUOROSILICON	-
-	-	-
-	-	-
-	-	-

ISSUE	REVISION No	DESCRIPTION	BY	DATE
.	.	.	.	.
.	.	.	.	.
.	.	.	.	.
.	.	.	.	.

Initiated on 09-JUL-90

The information given here is subject to change without notice. Design changes may be in order to improve the product.



Superseded on